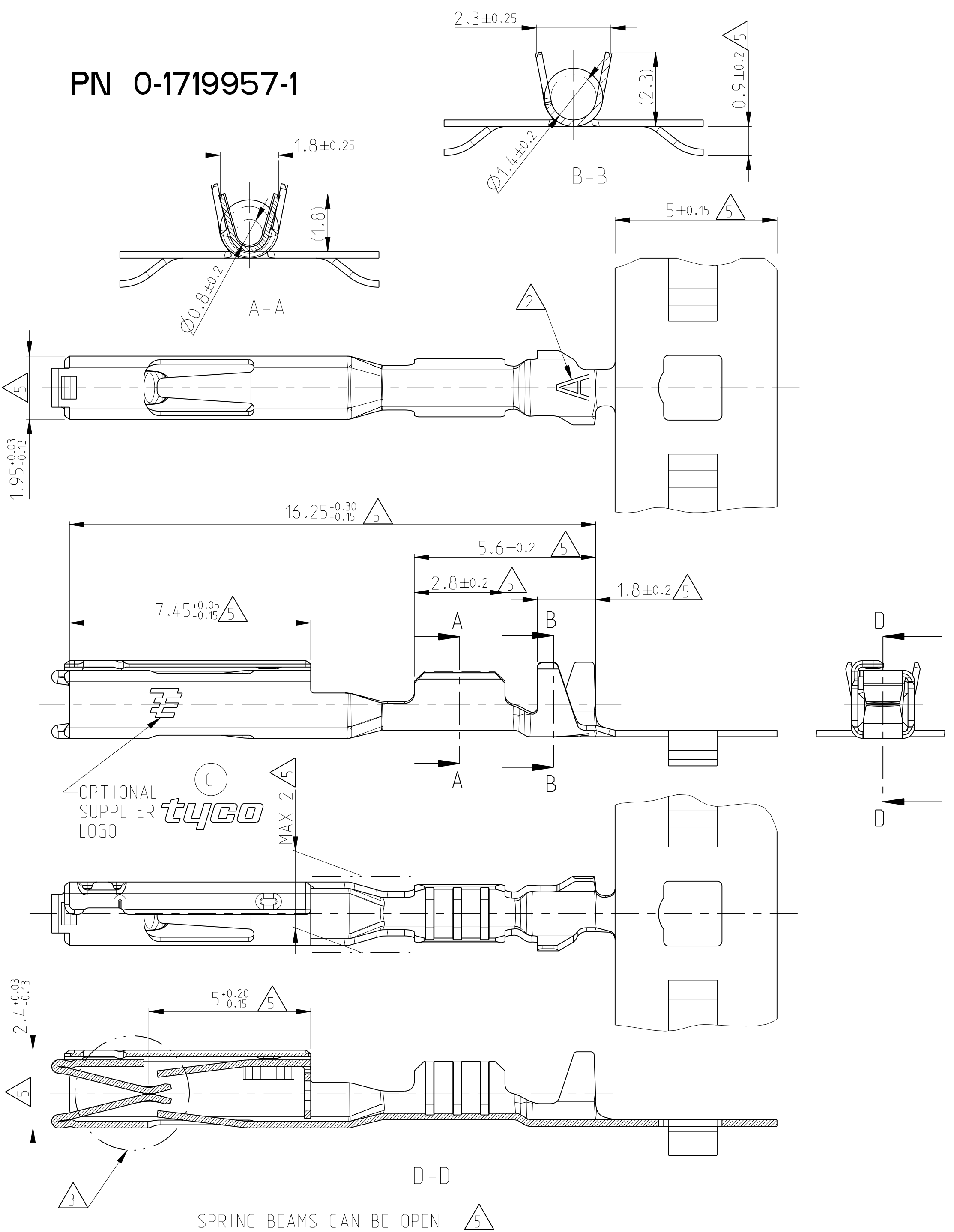
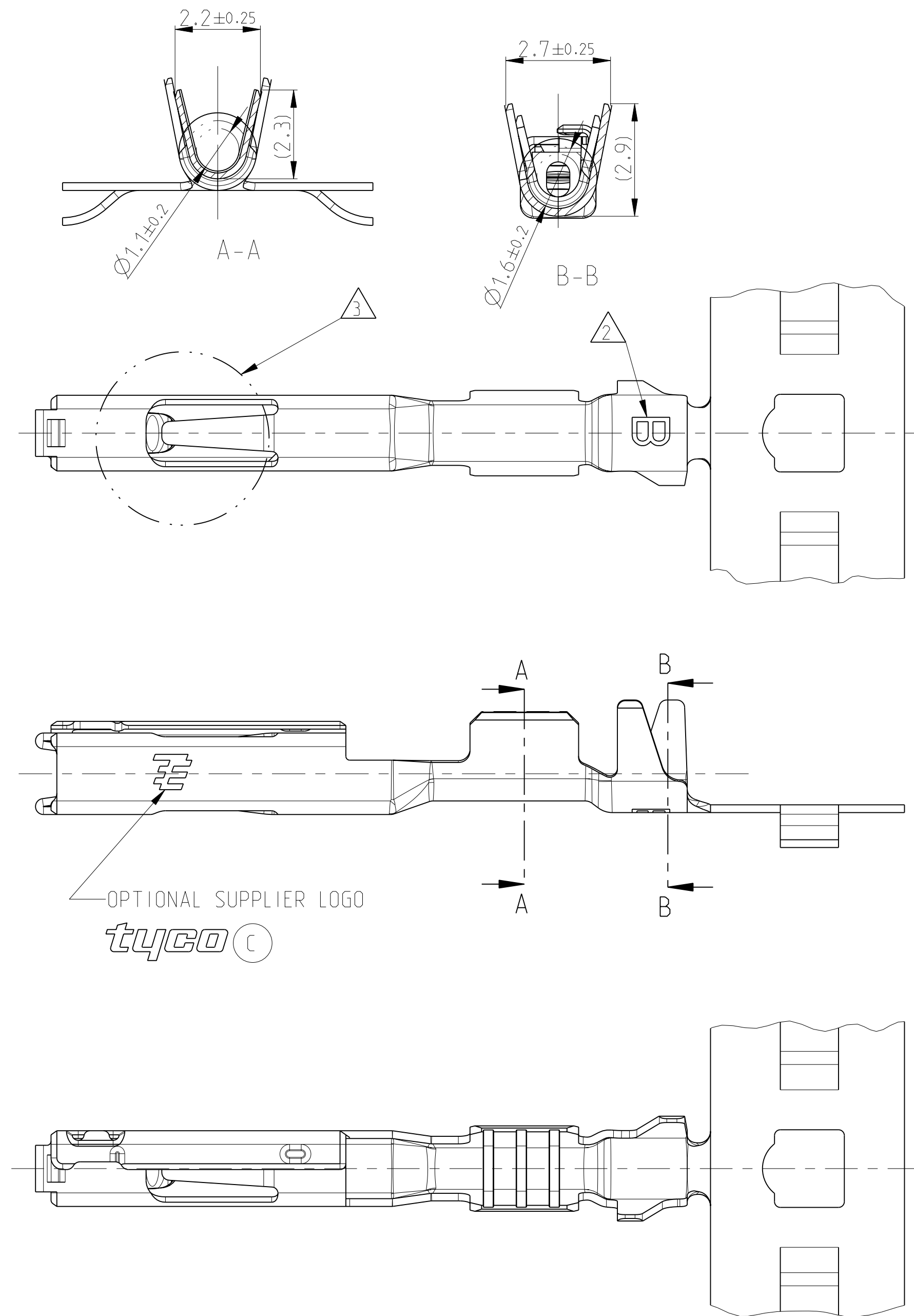


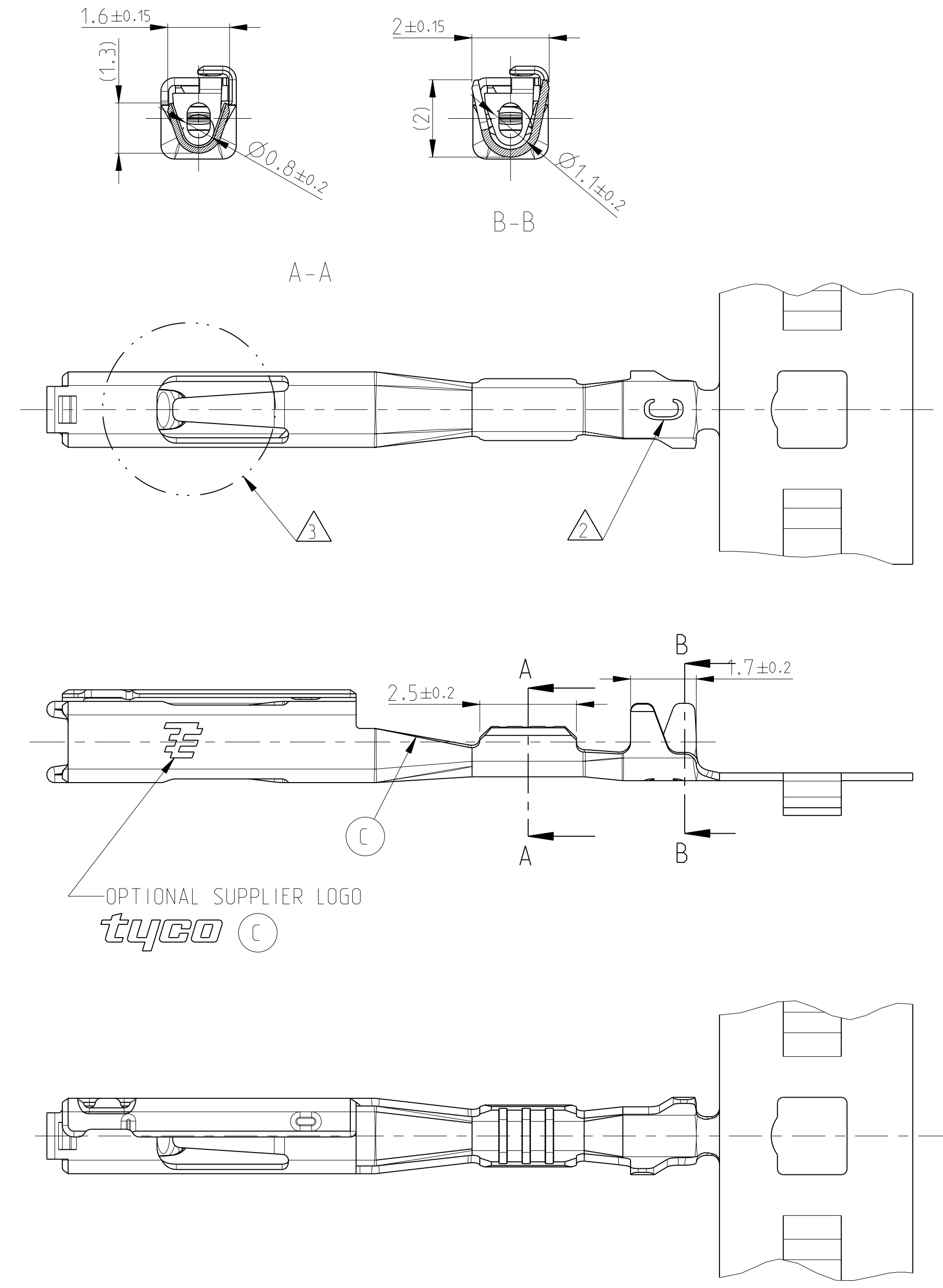
PN 0-1719957-1



PN 0-1719958-1

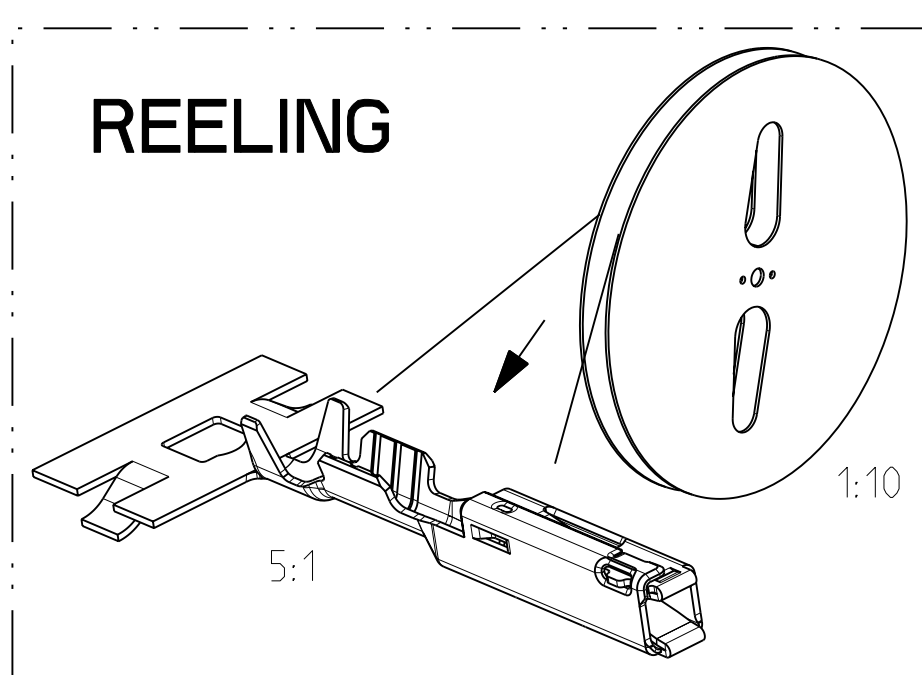


PN 0-1564880-1

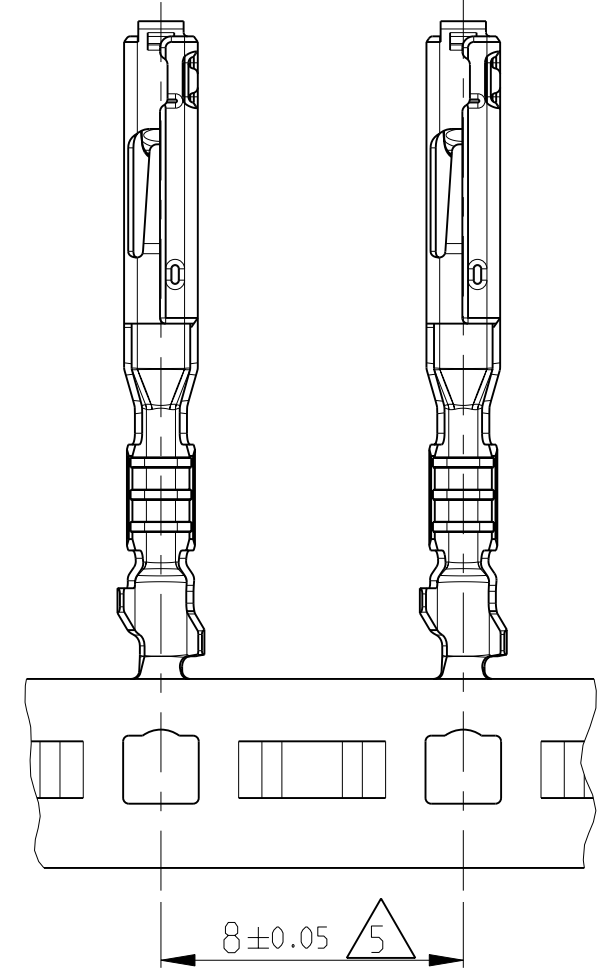


LOC	DIST	REV	DESCRIPTION	DATE	DWN	APVD
A1	-	B3	SEE PCN E-09-014603	26 JUN 2009	GH	GM
		C	SEE PCN E-10-021811	25 OCT 2010	GH	GS

REELING



DIE FEED

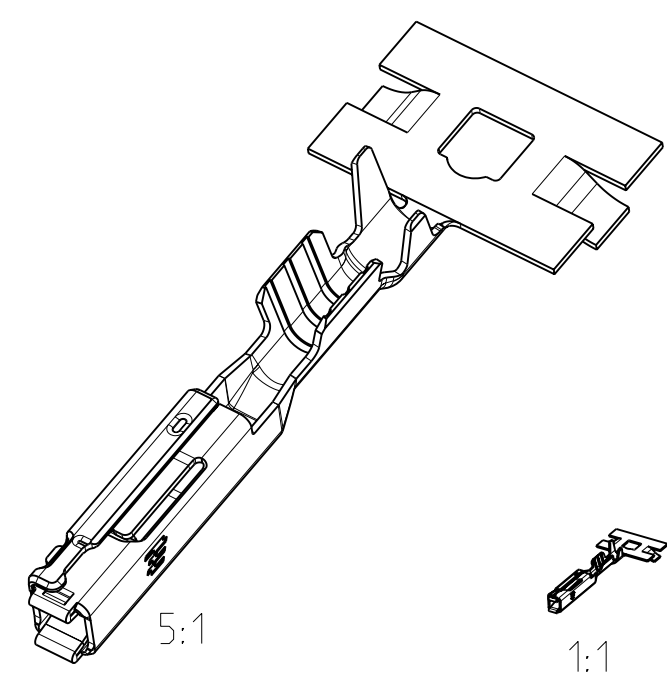


NOTES

- BEWERTUNGEN
- APPLICATION TOOL FEED 8.0±0.05
 - MARKING CRIMP CODE "A" FOR WIRE SIZE 0.22-0.35mm²
 MARKING CRIMP CODE "B" FOR WIRE SIZE 0.5-0.75mm²
 MARKING CRIMP CODE "C" FOR WIRE SIZE 0.13mm²
 - OPTIMOL (UNDILUTED) LUBRICATION IN THIS AREA
 - FEMALE TERMINALS SHOULD ALWAYS BE USED WITH PINS/MALE TERMINALS WITH THE SAME PLATING MATERIAL
 - DIMENSION APPLY TO ALL PART NUMBERS

PLATING	MATERIAL	WEIGHT (g)	CRIMP CODE	CONDUCTOR WIRE SIZE	TE PART NO	TE PART REV.
TIN HOT DIPPED 1-3µm	COPPER ALLOY	0.22	C	0.13mm ² ISO6722 THINN WALL	0-1564880-1	C
TIN HOT DIPPED 1-3µm	COPPER ALLOY	0.24	B	0.5-0.75mm ² /AWG 18-20	0-1719958-1	B
TIN HOT DIPPED 1-3µm	COPPER ALLOY	0.23	A	0.22-0.35mm ² /AWG 22	0-1719957-1	B

DIMENSIONS: mm 		TOLERANCES UNLESS OTHERWISE SPECIFIED: 9 PLC ±0.3 1 PLC ±0.3 2 PLC ±0.3 3 PLC ± 4 PLC ± ANGLES ±		DWN G.S. HOEJA ZODEC 2006 CHK G. MUMPER ZODEC 2008 APVD -		Tyco Electronics Tyco Electronics AMP GmbH 64625 Bensheim (Germany)	
MATERIAL S. TAB FINISH S. TAB		NAME GET FEMALE TERMINAL, 0.2 STOCK SHEET GET BUCHSENKONTAKT, 0.2 BLECHSTAERKE		PRODUCT SPEC 108-94032 APPLICATION SPEC 114-18774		SIZE CAGE CODE DRAWING NO RESTRICTED TO WEIGHT S. TAB A1 00779 C=1719957 -	
CUSTOMER DRAWING				SCALE 10:1 SHEET 1 OF 1 REV C			



X-ON Electronics

Largest Supplier of Electrical and Electronic Components

Click to view similar products for [Automotive Connectors](#) category:

Click to view products by [TE Connectivity](#) manufacturer:

Other Similar products are found below :

[003-018-000](#) [60403001](#) [60993906-B](#) [M902-2131](#) [M902-2161](#) [72.330.1035.1](#) [73.353.4028.0](#) [F119300-B](#) [F166900](#) [F258300-B](#) [F358300-B](#)
[F407400](#) [F444110](#) [F487000](#) [F509500B-B](#) [827153-1](#) [8N1515-32-24P](#) [9-1326729-8](#) [925474-1](#) [928905-1](#) [964562-4](#) [968782-1](#) [GT17SA-8DS-](#)
[HU](#) [98891-1012](#) [98947-1016](#) [12004147](#) [12004475-L](#) [12010290](#) [12010309-B](#) [12015454](#) [12020219-B](#) [12020308](#) [12041318-B](#) [12052225-L](#)
[12052466](#) [12059125](#) [12064869](#) [12004327-B](#) [12010503-B](#) [12015308](#) [12015384](#) [12015909](#) [1-21030-1](#) [12041254](#) [12041318](#) [12047946-B](#)
[12047957](#) [12047957-L](#) [12059473](#) [12066261](#)