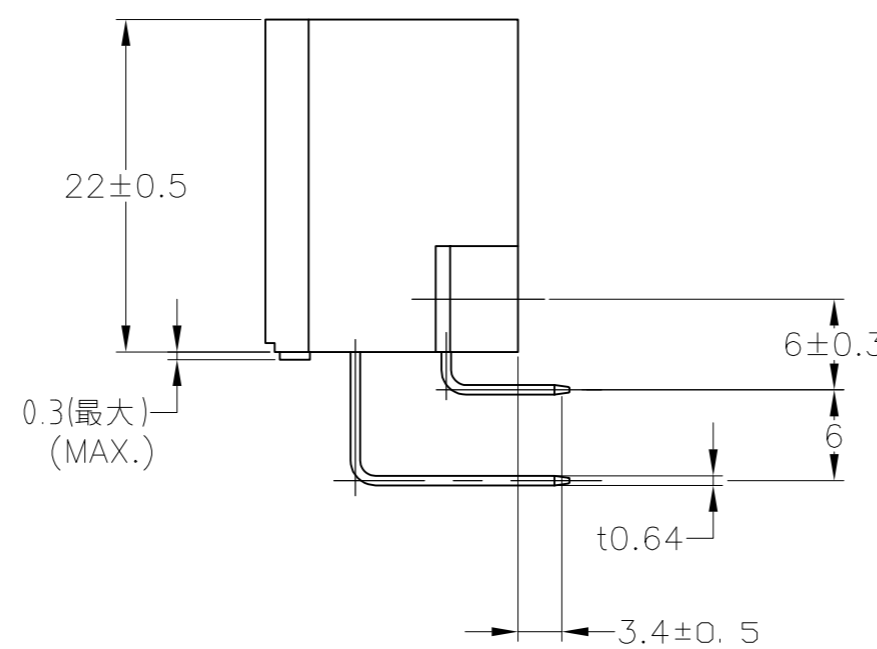
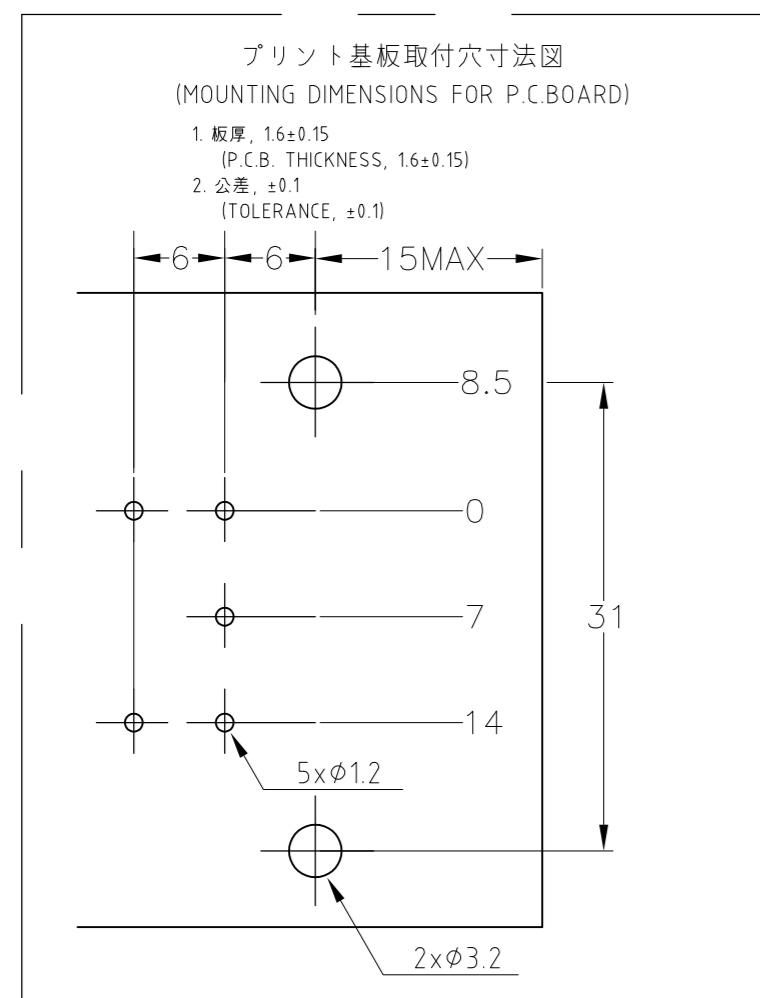
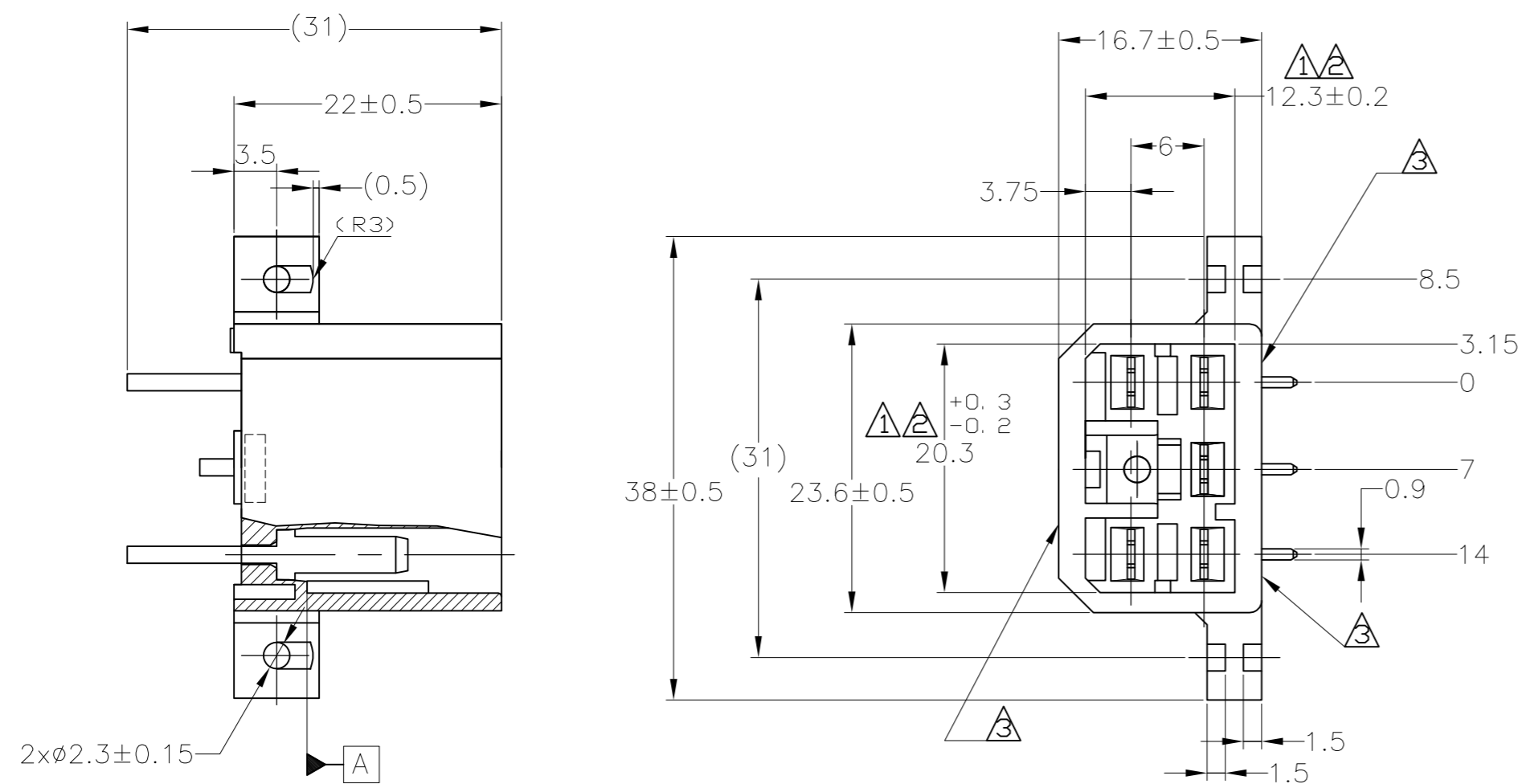
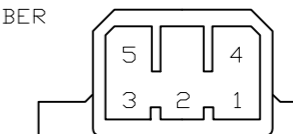


THIS DRAWING IS UNPUBLISHED. RELEASED FOR PUBLICATION
 © COPYRIGHT 2016 By Tyco Electronics Japan G.K. ALL RIGHTS RESERVED.

REVISIONS					
P	LTR	DESCRIPTION	DATE	DWN	APVD
G5		OBSOLETE -8,1--5	16AUG16	KF	HY

- 注記:
- △ A 面より2mmの範囲で測定のこと。
 - △ 相手ハウジングと所定の機能を満たしてかん合できること。
 - △ フードの反りは0.2以内。
 - 4 推奨取付けねじ; JIS B 1115 又は、1122 タッピンねじ
なべ1種又は2種、呼び径3長さ6mm以下
(締め付けトルク: 39.2N 以下)
 - 5 適用製品規格 No.108-5093
 - 6 相手ハウジングとのかん合力は、29.4N以下
但し、リセプタクルコンタクトは含まない。
 - △ タブなしタイプ(表参照)回路番号下図参照のこと。

- NOTES:
- △ TO BE MEASURED WITHIN 2mm FROM A
 - △ IN COUPLING WITH THE PLUG HOUSING MATING SATISFIES FUNCTION
 - △ WARPAGE 0.2 MAX.
 - 4 RECOMMENDED MOUNTING SCREW; 3mmDIA, 6mmLENGTH(MAX.)
PAN HEAD, CLASS 1 AND 2 TAPPING SCREW SPECIFIED IN JIS B1115, B1122 (TIGHTENING TORQUE; 39.2N MAX.)
 - 5 SPEC. No. 108-5093
 - 6 IN COUPLING WITH THE PLUG HOUSING MATING FORCE 29.4N MAX WITHOUT RECEPTACLE CONTACT
 - △ NON TAB CONTACT'S TYPE (SEE TABLE)
CIRCUIT NUMBER



---	SELECTIVE-TIN (MATTE)	SELECTIVE GOLD (0.76μm MIN.)	NATURAL	5172040-8
---	SELECTIVE-TIN (MATTE)	SELECTIVE GOLD (0.38μm MIN.)	NATURAL	1-5172040-5
2	PRE-TIN		NATURAL	2-172040-1
OBSOLETE	TIN-LEAD	SELECTIVE GOLD (0.38μm MIN.)	GREEN	1-172040-8
OBSOLETE	TIN-LEAD	SELECTIVE GOLD (0.38μm MIN.)	NATURAL	1-172040-5
OBSOLETE	TIN-LEAD	SELECTIVE GOLD (0.76μm MIN.)	YELLOW	1-172040-4
OBSOLETE	TIN-LEAD	SELECTIVE GOLD (0.76μm MIN.)	GRAY	1-172040-3
OBSOLETE	TIN-LEAD	SELECTIVE GOLD (0.76μm MIN.)	BLUE	1-172040-2
OBSOLETE	TIN-LEAD	SELECTIVE GOLD (0.76μm MIN.)	GREEN	1-172040-1
OBSOLETE	TIN-LEAD	SELECTIVE GOLD (0.76μm MIN.)	BROWN	1-172040-0
OBSOLETE	TIN-LEAD	SELECTIVE GOLD (0.76μm MIN.)	BLACK	172040-9
OBSOLETE	TIN-LEAD	SELECTIVE GOLD (0.76μm MIN.)	NATURAL	172040-8
OBSOLETE	PRE-TIN		YELLOW	172040-7
OBSOLETE	PRE-TIN		BLUE	172040-5
OBSOLETE	PRE-TIN		GREEN	172040-4
OBSOLETE	PRE-TIN		BROWN	172040-3
OBSOLETE	PRE-TIN		BLACK	172040-2
OBSOLETE	PRE-TIN		NATURAL	172040-1
△ NON TAB PLACES タブなし箇所	SOLDERING SIDE 半田付け部	CONTACT SIDE 接触部側	COLOR 色	PART NUMBER 製品型番
CONTACT FINISH コンタクト仕上				

TOLERANCE UNLESS OTHERWISE SPECIFIED: 一般公差

0 <= x <= 10 : ±0.2
 10 <= x <= 30 : ±0.25
 30 <= x <= 100 : ±0.3
 ANGLE : ±3°

THIS DRAWING IS A CONTROLLED DOCUMENT.

DIMENSIONS: 単位: 純 mm

TOLERANCES UNLESS OTHERWISE SPECIFIED: 一般公差

0 PLC ±
 1 PLC ±
 2 PLC ±
 3 PLC ±
 4 PLC ±
 ANGLES ±

MATERIAL 材料: HSG: 66 NYLON CONTACT: BRASS

FINISH 仕上: -

WEIGHT: 6.4 g

CUSTOMER DRAWING

DWN: T.SHINOHARA 31AUG07
 CHK: K.BETSUI 31AUG07
 APVD: K.BETSUI 31AUG07

NAME 名称: 5P HORIZONTAL TYPE CAP HOUSING ASS'Y MULTI-INTERLOCK CONN. (WIRE TO P.C.B.)

PRODUCT SPEC: 108-5093

APPLICATION SPEC: 取付適用規格

SIZE: A2 CAGE CODE: 00779 DRAWING NO: 172040 RESTRICTED TO: -

SCALE: 2:1 SHEET: 1 of 1 REV: G5

X-ON Electronics

Largest Supplier of Electrical and Electronic Components

Click to view similar products for [Headers & Wire Housings](#) category:

Click to view products by [TE Connectivity](#) manufacturer:

Other Similar products are found below :

[892-18-020-10-001101](#) [58102-G61-06LF](#) [582553-1](#) [0009485154](#) [009176003701906](#) [0050291907](#) [LY20-4P-DT1-P1E-BR](#) [02.125.8002.8](#)
[609-3404](#) [61062-3](#) [61082-181009](#) [622-3653LF](#) [63453-116](#) [636-1030](#) [636-1427](#) [636-3427](#) [636-4007](#) [641938-9](#) [641991-4](#) [644827-2](#) [65817-](#)
[010LF](#) [65817-015LF](#) [65863-015LF](#) [66207-023LF](#) [67095-007LF](#) [67601157](#) [68645-018](#) [68648-049](#) [70.362.1628.0](#) [70-4210](#) [70-4226B](#) [70-](#)
[4853B](#) [707-5020](#) [707-5028](#) [71.350.2428.0](#) [71918-208LF](#) [71961-016LF](#) [733-134](#) [733-162](#) [754199-000](#) [760-3052](#) [79531-3000](#) [FCN-](#)
[360C032-B](#) [FCN-367T-T012/H](#) [FCN-723D010/2](#) [80.063.4001.1](#) [800-90-001-10-001000](#) [800-90-010-10-002000](#) [801-43-002-10-013000](#)
[801-43-006-10-002000](#)