

172134-4 ✓ ACTIVE

FASTIN-FASTON | FASTIN-FASTON 250

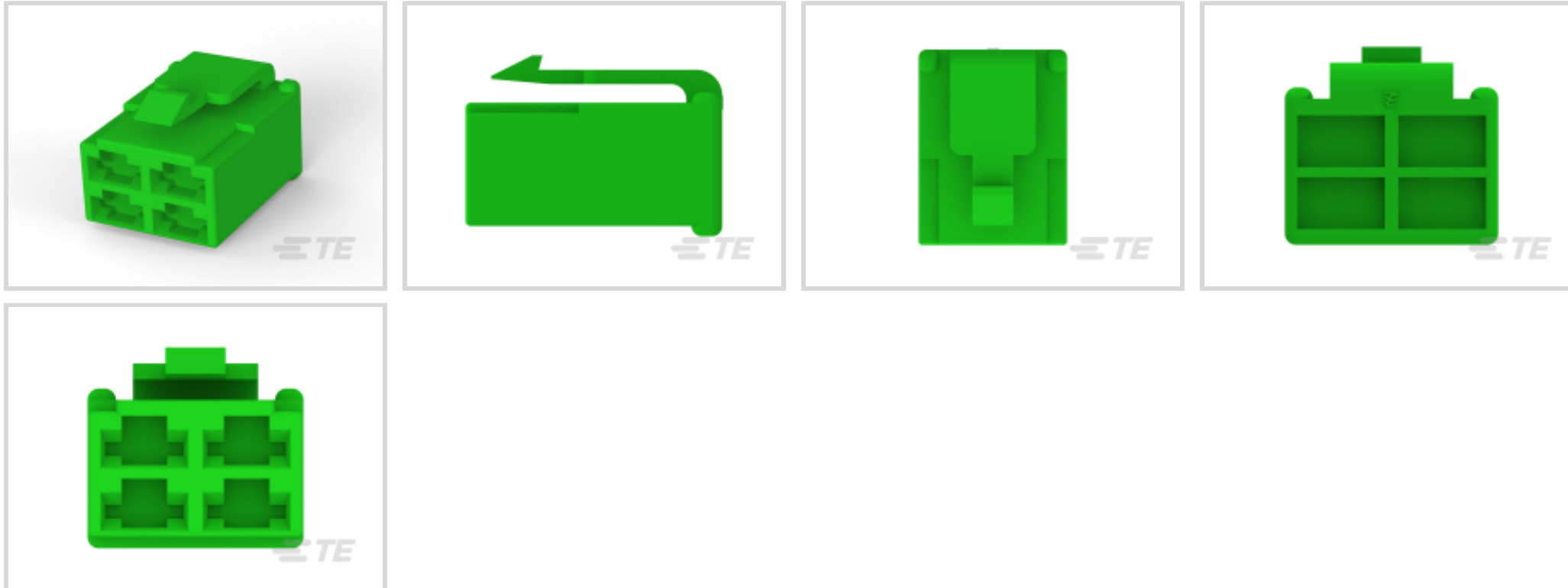
TE Internal #: 172134-4

FASTIN-FASTON 250, Crimp Terminal Housings, Receptacle, Receptacle, 4 Position, Straight, UL 94V-0, Green Crimp Terminal Housing Housing Color, Nylon

[View on TE.com >](#)



Terminals & Splices > Terminal Housings, Insulation Sleeves & Blocks > Crimp Terminal Housings



Terminal & Splice Type: **Receptacle**

Housing Type: **Receptacle**

Number of Crimp Terminal Housing Positions: **4**

Crimp Terminal Housing Terminal Orientation: **Straight**

Crimp Terminal Housing UL Flammability Rating: **UL 94V-0**

Features

Product Type Features

Product Type	Terminal Housing
Terminates To	Wire & Cable
Housing Type	Receptacle
Sealable	No
Insulated	No

Configuration Features

Number of Crimp Terminal Housing Positions	4
--	---

Body Features

Crimp Terminal Housing Housing Color	Green
Crimp Terminal Housing Mating Retention	With
Crimp Terminal Housing Mating Alignment	With

Contact Features

Terminal & Splice Type	Receptacle
Crimp Terminal Housing Terminal Orientation	Straight



Mechanical Attachment

Mating Retention Type	Latch
Crimp Terminal Housing Mounting Style	Cable Mount (Free-Hanging)

Housing Features

Crimp Terminal Housing Housing Material	Nylon
---	-------

Dimensions

Length	25 mm[.984 in]
Crimp Terminal Housing Centerline	9 mm[.354 in]

Usage Conditions

Operating Temperature Range	-40 – 105 °C[-40 – 221 °F]
-----------------------------	----------------------------

Industry Standards

Crimp Terminal Housing UL Flammability Rating	UL 94V-0
---	----------

Packaging Features

Packaging Quantity	100
--------------------	-----

Product Compliance

[For compliance documentation, visit the product page on TE.com>](#)

EU RoHS Directive 2011/65/EU	Compliant
EU ELV Directive 2000/53/EC	Compliant
China RoHS 2 Directive MIIT Order No 32, 2016	No Restricted Materials Above Threshold
EU REACH Regulation (EC) No. 1907/2006	Current ECHA Candidate List: JAN 2021 (211) Candidate List Declared Against: JAN 2021 (211) Does not contain REACH SVHC
Halogen Content	Low Halogen - Br, Cl, F, I < 900 ppm per homogenous material. Also BFR/CFR/PVC Free
Solder Process Capability	Not applicable for solder process capability

Product Compliance Disclaimer

This information is provided based on reasonable inquiry of our suppliers and represents our current actual knowledge based on the information they provided. This information is subject to change. The part numbers that TE has identified as EU RoHS compliant have a maximum concentration of 0.1% by weight in homogenous materials for lead, hexavalent chromium, mercury, PBB, PBDE, DBP, BBP, DEHP, DIBP, and 0.01% for cadmium, or qualify for an exemption to these limits as defined in the Annexes of Directive 2011/65/EU (RoHS2). Finished electrical and electronic equipment products will be CE marked as required by Directive 2011/65/EU. Components may not be CE marked. Additionally, the part

numbers that TE has identified as EU ELV compliant have a maximum concentration of 0.1% by weight in homogenous materials for lead, hexavalent chromium, and mercury, and 0.01% for cadmium, or qualify for an exemption to these limits as defined in the Annexes of Directive 2000/53/EC (ELV). Regarding the REACH Regulation, the information TE provides on SVHC in articles for this part number is based on the latest European Chemicals Agency (ECHA) 'Guidance on requirements for substances in articles' posted at this URL: <https://echa.europa.eu/guidance-documents/guidance-on-reach>

Compatible Parts



TE Part # 170258-2
FF 250 REC 14-12AWG TPBR
REREELING



TE Part # 170258-1
FF 250 REC 14-12AWG BR REREELING



TE Part # 171898-3
FF 250 PLUG HSG 6P NYLON NAT



TE Part # 172137-4
FF 250 REC HSG 10P NYLON NAT

Also in the Series | FASTIN-FASTON 250



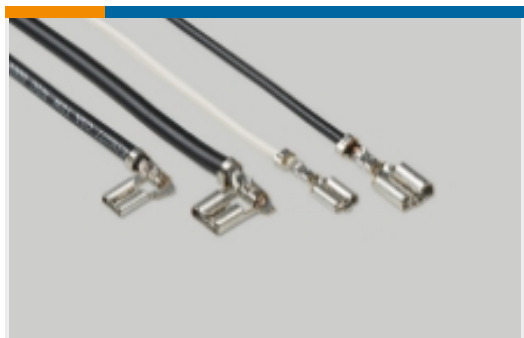
Crimp Terminal Housings(216)



Insertion & Extraction Tools(2)

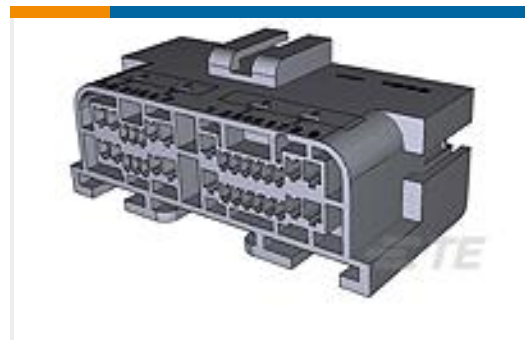


PCB Terminals(2)

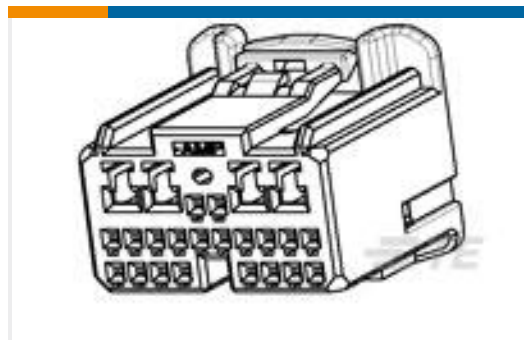


Quick Disconnects(258)

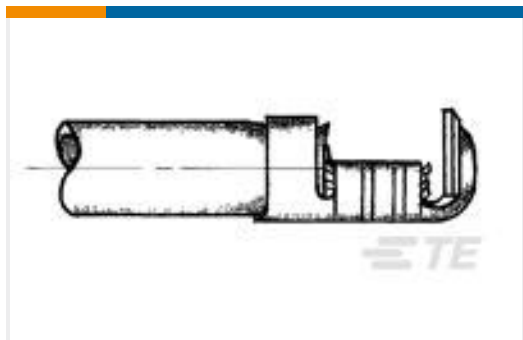
Customers Also Bought



TE Part #178688-2
NSCC CAP HSG ASSY 32P BLACK



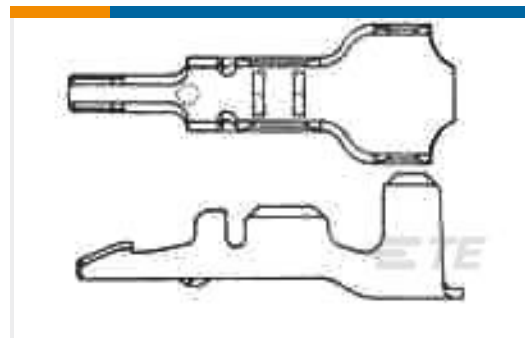
TE Part #1612802-1
025/090 SER 24POS PLUG ASSY KE



TE Part #170023-1
BUTTON CONTACT



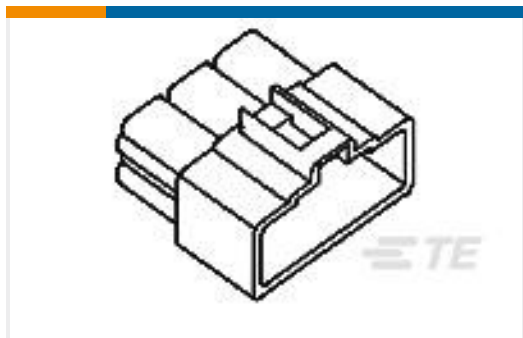
TE Part #170030-5
FF 250 TAB 20-14AWG PTBR



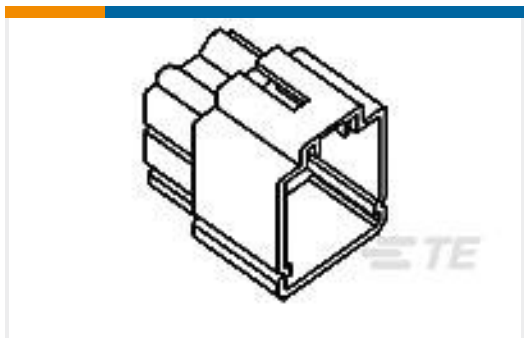
TE Part #170197-2
MINI AMP-IN 24-20 AWG



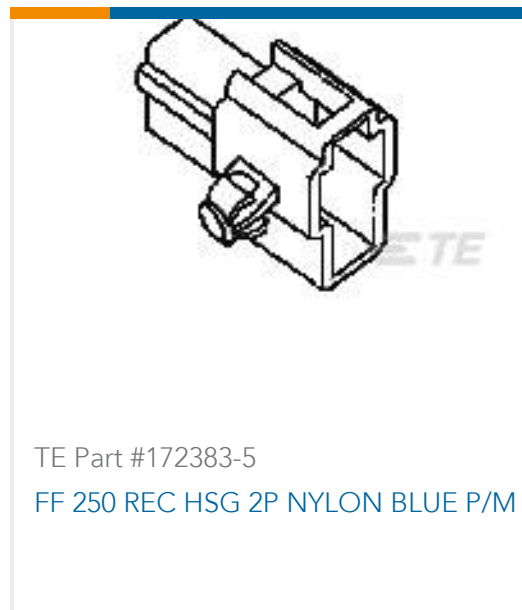
TE Part #172020-1
13P MINI AMPIN HEADER HSG



TE Part #172133-4
FF 250 REC HSG 4P NYLON GREEN



TE Part #172227-1
FF 250 REC HSG 9P NYLON NAT



Documents

Product Drawings

[FF 250 PLUG HSG 4P NYLON GREEN](#)

Japanese

CAD Files

Customer View Model

[ENG_CVM_CVM_172134-4_K.2d_dxf.zip](#)

English

[3D PDF](#)

3D

Customer View Model

[ENG_CVM_CVM_172134-4_K.3d_igs.zip](#)

English

Customer View Model

[ENG_CVM_CVM_172134-4_K.3d_stp.zip](#)

English

By downloading the CAD file I accept and agree to the [Terms and Conditions](#) of use.

Datasheets & Catalog Pages

[White Paper: Nylon Discoloration](#)

English

Product Specifications

[Application Specification](#)

English

Instruction Sheets

[Customer Manual \(non U.S.\)](#)

Japanese

["250" Series, Housing Lance Connector](#)

Japanese

Agency Approvals

[UL Report](#)

English

X-ON Electronics

Largest Supplier of Electrical and Electronic Components

Click to view similar products for [Headers & Wire Housings](#) category:

Click to view products by [TE Connectivity](#) manufacturer:

Other Similar products are found below :

[892-18-020-10-001101](#) [58102-G61-06LF](#) [582553-1](#) [0009485154](#) [009176003701906](#) [0050291907](#) [LY20-4P-DT1-P1E-BR](#) [02.125.8002.8](#)
[609-3404](#) [61062-3](#) [61082-181009](#) [622-3653LF](#) [63453-116](#) [636-1030](#) [636-1427](#) [636-3427](#) [636-4007](#) [641938-9](#) [641991-4](#) [644827-2](#) [65817-](#)
[010LF](#) [65817-015LF](#) [65863-015LF](#) [66207-023LF](#) [67095-007LF](#) [67601157](#) [68645-018](#) [68648-049](#) [70.362.1628.0](#) [70-4210](#) [70-4226B](#) [70-](#)
[4853B](#) [707-5020](#) [707-5028](#) [71.350.2428.0](#) [71918-208LF](#) [71961-016LF](#) [733-134](#) [733-162](#) [754199-000](#) [760-3052](#) [787-8014-00](#) [79531-3000](#)
[FCN-360C032-B](#) [FCN-367T-T012/H](#) [FCN-723D010/2](#) [80.063.4001.1](#) [800-90-001-10-001000](#) [800-90-010-10-002000](#) [801-43-002-10-013000](#)