

THIS DRAWING IS UNPUBLISHED. RELEASED FOR PUBLICATION JUN , 1998.  
 © COPYRIGHT 1998 By Tyco Electronics Japan G.K. ALL RIGHTS RESERVED.

| LOC | DIST | REVISIONS |     |                           |           |     |      |
|-----|------|-----------|-----|---------------------------|-----------|-----|------|
|     |      | P         | LTR | DESCRIPTION               | DATE      | DWN | APVD |
| J   | —    |           | E   | REVISED PER ECR-19-008650 | 03JUL2019 | BDA | SW   |

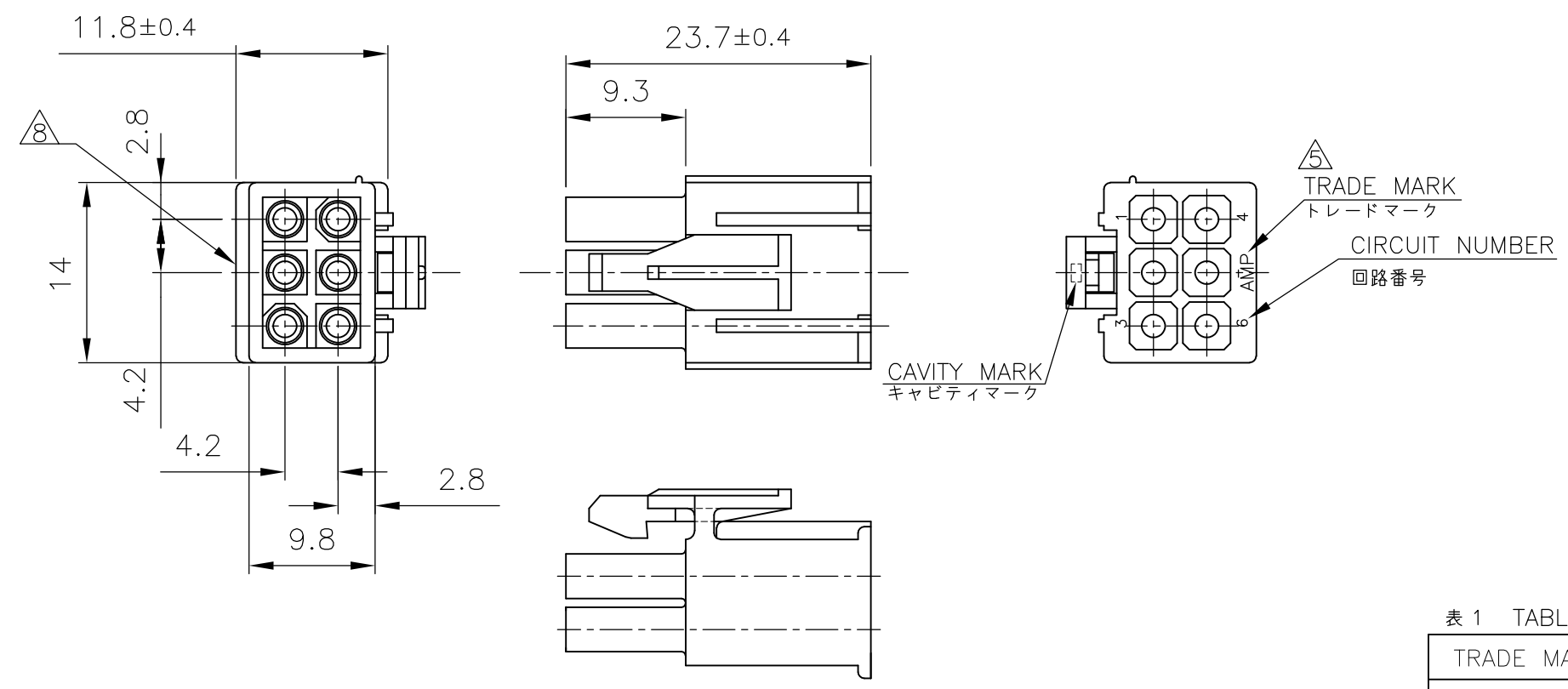


表 1 TABLE 1

| TRADE MARK   | MANUFACTURING PLACE |
|--------------|---------------------|
| -AMP OR AMP  | JAPAN               |
| -+AMP OR AMP | CHINA (PRC)         |

- NOTE)
1. APPLIED CONTACT P/N:170359,170360,170361,170362
  2. MATING CONN. :CAP HOUSING P/N:172160
  3. INSTRUCTION SHEET :IS-105J
  4. PRODUCT SPEC :108-5138
- △5 SEE TABLE 1
- △6 OBSOLETE PARTS: OBSOLETE CIS STREAMLINING PER D.RENAUD/D.SINISI
- △7 PRELIMINARY PART NOT RELEASED FOR PRODUCTION.
- △8 UNDERWRITERS RECOGNIZED COMPONENT LOGO AND CSA CERTIFICATION LOGO TO BE LOCATED AS SHOWN

- 注記)
1. 使用端子親型番は 170359,170360,170361,170362
  2. 嵌合相手キャップハウジング型番はロ-172160-□
  3. 取扱説明書 :IS-105J
  4. 製品規格:108-5138
- △5 表1参照
- △6 OBSOLETE PARTS: OBSOLETE CIS STREAMLINING PER D.RENAUD/D.SINISI

|                |               |                       |
|----------------|---------------|-----------------------|
| △7             | 自然色 (NATURAL) | 2-172168-1            |
| △8             | 黒色 (BLACK)    | 1-172168-9            |
| △6<br>OBSOLETE | (BLUE)        | <del>1-172168-6</del> |
|                | (GREEN)       | <del>1-172168-5</del> |
| △8             | 赤色 (RED)      | 1-172168-2            |
| △8             | 自然色 (NATURAL) | 172168-1              |
|                | 色 (COLOR)     | 製品型番 (PART NO.)       |

|   |           |                          |                                   |                 |
|---|-----------|--------------------------|-----------------------------------|-----------------|
| THIS DRAWING IS A CONTROLLED DOCUMENT.      |           | DWN N.YAMASAKI 15JUN1998 | <b>STE</b> TE Connectivity        |                 |
| DIMENSIONS: 単位: 耗 mm                        |           | CHK M.SHINDO 15JUN1998   |                                   |                 |
| TOLERANCES UNLESS OTHERWISE SPECIFIED: 一般公差 |           | APVD M.SHINDO 15JUN1998  | NAME 名称                           |                 |
| 0 PLC ± 0.3                                 |           | PRODUCT SPEC 製品規格        | MINI UNIVERSAL MATE-N-LOK         |                 |
| 1 PLC ± 0.3                                 |           | 108-5138                 | PLUG HOUSING 6POS. UL94V-0        |                 |
| 2 PLC ± 0.3                                 |           | APPLICATION SPEC 取付適用規格  | 6極ミニ・ユニバーサル メイテンロック コネクタ プラグハウジング |                 |
| 3 PLC ± 0.3                                 |           | WEIGHT                   | SIZE A3                           | CAGE CODE 00779 |
| 4 PLC ± 0.3                                 |           | CUSTOMER DRAWING         | DRAWING NO                        | REV E           |
| ANGLES ± 1°                                 |           |                          | 番号                                | C-172168        |
| MATERIAL 材料 66NYLON (UL94V-0)               | FINISH 仕上 | SCALE 尺度 2:1             |                                   | SHEET 1 OF 1    |

## X-ON Electronics

Largest Supplier of Electrical and Electronic Components

*Click to view similar products for [Pin & Socket Connectors](#) category:*

*Click to view products by [TE Connectivity](#) manufacturer:*

Other Similar products are found below :

[6450822-1](#) [770392-1](#) [794042-1](#) [796885-1](#) [8-794535-1](#) [PLR3455ACS-222](#) [R929991004](#) [R929993003](#) [1403611-1](#) [1-480349-5](#) [152302-5](#)  
[153211-2](#) [1586092-1](#) [1586129-1](#) [1586681-4](#) [1586700-1](#) [1586368-1](#) [1586380-1](#) [1586616-1](#) [1586680-5](#) [16-06-0038](#) [164164-5](#) [1-6609930-1](#)  
[172296-1](#) [19-09-2035](#) [200503-1](#) [200788-2](#) [2029090-4](#) [2029095-4](#) [925061-7](#) [293734-4](#) [293737-2](#) [1-765362-4](#) [1871534-1](#) [200833-4](#)  
[2008625-2](#) [2029027-2](#) [2029096-4](#) [R929991000](#) [R929991002](#) [R929993000](#) [319-10-101-00-005000](#) [319-10-102-00-001000](#) [319-10-104-00-001000](#) [319-10-105-00-001000](#) [319-10-108-00-001000](#) [319-10-112-00-006000](#) [39-01-8019](#) [319-10-101-00-001000](#) [319-10-102-00-005000](#)