

THIS DRAWING IS UNPUBLISHED. RELEASED FOR PUBLICATION
 © COPYRIGHT - By - TE CONNECTIVITY ALL RIGHTS RESERVED.

LOC		DIST		REVISIONS			
P	LTR	DESCRIPTION		DATE	DWN	APVD	
	C	CHANGE LOGO&ADD LINE IDENTIFICATION ECO-12-003498& ADD COC SYMBOL P-11-003756		07Nov2012	YS.H	BH.Y	

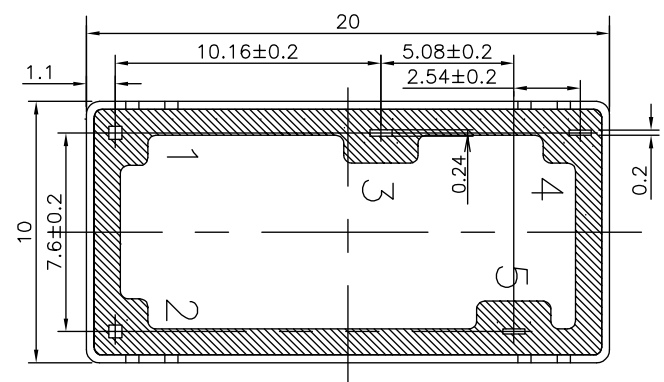
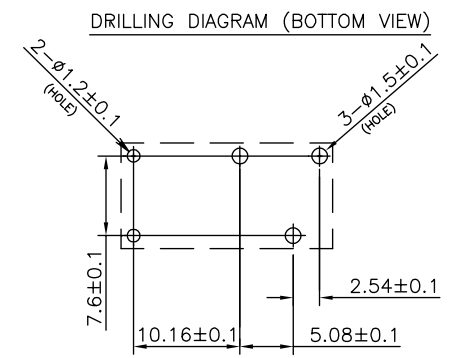
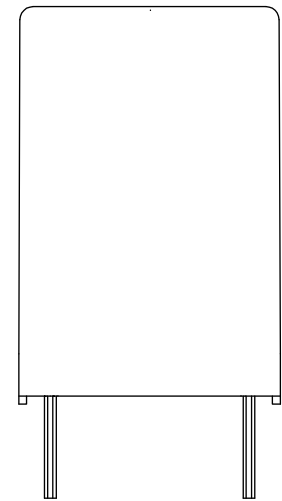
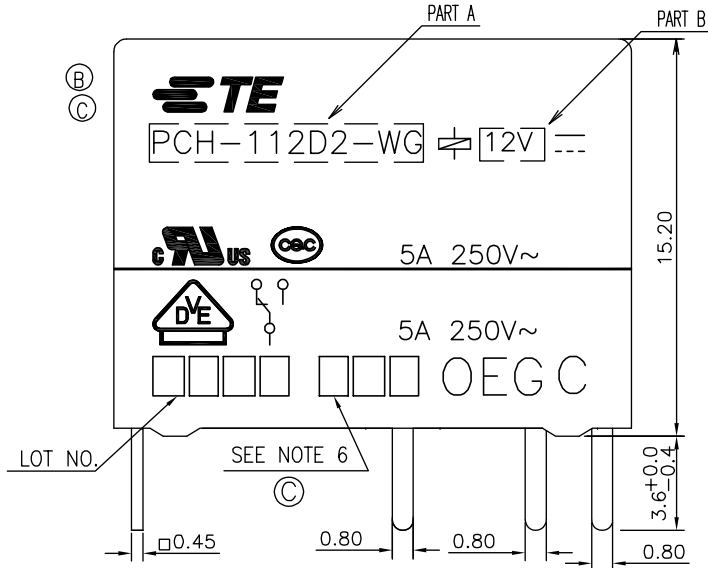
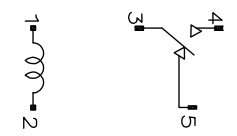


Diagram dimension	Tolerance
0.99mm max.	±0.1mm
1 - 2.99mm	±0.2mm
3mm min.	±0.3mm

CONNECTION DIAGRAM (BOTTOM VIEW)



THIS DRAWING IS A CONTROLLED DOCUMENT.		DWN	KY.DU		TE Connectivity	
		CHK	N.Funayama			
DIMENSIONS: mm		APVD	C.H.HSU		NAME	
		TOLERANCES UNLESS OTHERWISE SPECIFIED:		PCH-D2(H)-WG CUSTOMER DRAWING		
		0 PLC	± -	PRODUCT SPEC		
MATERIAL		1 PLC	± -	APPLICATION SPEC		
		2 PLC	± -	WEIGHT		
		3 PLC	± -	SIZE	CAGE CODE	DRAWING NO
		4 PLC	± -	A3	00779	G= 1721766
		ANGLES	± -	RESTRICTED TO		
		FINISH	-	CUSTOMER DRAWING		SCALE 5:1
				SHEET 1 of 2		REV C

THIS DRAWING IS UNPUBLISHED. RELEASED FOR PUBLICATION
 © COPYRIGHT - By - TE CONNECTIVITY ALL RIGHTS RESERVED.

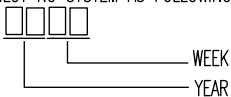
LOC	DIST	REVISIONS					
HB	-	P	LTR	DESCRIPTION	DATE	DWN	APVD
		-		SEE SHEET 1	-	-	-

1-1721766-4	PCH-148D2H-WG	48V	PCH-148D2H-WG	107-79019(TRAY)	n
1-1721766-3	PCH-124D2H-WG	24V	PCH-124D2H-WG	107-79019(TRAY)	m
1-1721766-2	PCH-112D2H-WG	12V	PCH-112D2H-WG	107-79019(TRAY)	l
1-1721766-1	PCH-109D2H-WG	9V	PCH-109D2H-WG	107-79019(TRAY)	k
1-1721766-0	PCH-106D2H-WG	6V	PCH-106D2H-WG	107-79019(TRAY)	j
1721766-9	PCH-105D2H-WG	5V	PCH-105D2H-WG	107-79019(TRAY)	i
1721766-8	PCH-103D2H-WG	3V	PCH-103D2H-WG	107-79019(TRAY)	h
1721766-7	PCH-148D2-WG	48V	PCH-148D2-WG	107-79019(TRAY)	g
1721766-6	PCH-124D2-WG	24V	PCH-124D2-WG	107-79019(TRAY)	f
1721766-5	PCH-112D2-WG	12V	PCH-112D2-WG	107-79019(TRAY)	e
1721766-4	PCH-109D2-WG	9V	PCH-109D2-WG	107-79019(TRAY)	d
1721766-3	PCH-106D2-WG	6V	PCH-106D2-WG	107-79019(TRAY)	c
1721766-2	PCH-105D2-WG	5V	PCH-105D2-WG	107-79019(TRAY)	b
1721766-1	PCH-103D2-WG	3V	PCH-103D2-WG	107-79019(TRAY)	a
TE PART NO	TE TYPE NAME	PART B	PART A	PACKAGE SPEC	TYPE

RELAY TYPE

		UV RESIN	UV SEAL	17
		EPOXY RESIN	SEAL	16
		UEW	COIL WIRE	15
	SOLDER DIP	HCP WIRE	COIL TERMINAL	14
		Ag ALLOY	STATIONARY CONTACT	13
		Ag ALLOY	MOVBLE CONTACT	12
		Cu ALLOY	HINGE SPRING	11
	SOLDER DIP	Cu ALLOY	NC TERMINAL	10
	SOLDER DIP	Cu ALLOY	NC TERMINAL	9
	SOLDER DIP	Cu ALLOY	MOVABLE SPRING	8
UL94 V-0		LCP	CARD	7
UL94 V-0		PET	CASE	6
UL94 HB		PA NYLON	BOBBIN	5
UL94 V-0		PET	BASE	4
	Ni PLATED	STEEL	CORE	3
	Ni PLATED	STEEL	ARMATURE	2
	Ni PLATED	STEEL	YOKE	1
INCOMBUSTIBILITY	TREATMENT	MATERIAL	DESCRIPTION	ITEM

NOTES:

- 1.LAST SUFFIX NON : WASHABLE TYPE
- 2.LOT NO SYSTEM AS FOLLOWING:


6.ADD LOT NO. SYSTEM AS FOLLOWING;


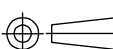
- I, DIGITS FOR DAY OF THE WEEK
 - 1...MONDAY IN THIS WEEK;
 - 2...TUESDAY IN THIS WEEK;
 -
 - 7...SUNDAY IN THIS WEEK
- II, DIGITS FOR SHIFT OF THE DAY
 - 1...DAY SHIFT IN THIS DAY;
 - 2...NIGHT SHIFT IN THIS DAY;
- III, ONE CHARACTER DISTINGUISH THE LINE IDENTITY, SUCH AS: A,B,....Z

3.TERMINAL DIMENSION IS BEFORE SOLDER DIP;

4.FOR THE TIN-PLATING OF THE PINS:
+0.1mm FOR WIDTH,THICKENSS AND DIAMETER.

+0.5mm FOR LENGTH.

5.MARKING FROM INK TO LASER.

THIS DRAWING IS A CONTROLLED DOCUMENT.		DWN	KY.DU		 TE Connectivity
DIMENSIONS: mm		CHK	N.Funayama		
		APVD	C.H.HSU		
TOLERANCES UNLESS OTHERWISE SPECIFIED:		PRODUCT SPEC	NAME		
0 PLC ± -		APPLICATION SPEC	PCH-D2(H)-WG CUSTOMER DRWING		
1 PLC ± -			SIZE	CAGE CODE	DRAWING NO
2 PLC ± -			A3	00779	C= 1721766
3 PLC ± -			RESTRICTED TO		
4 PLC ± -					
ANGLES ± -		WEIGHT	-		
FINISH		CUSTOMER DRAWING			
MATERIAL		SCALE	5:1		SHEET 2 of 2
		REV	C		

X-ON Electronics

Largest Supplier of Electrical and Electronic Components

Click to view similar products for [General Purpose Relays](#) category:

Click to view products by [TE Connectivity](#) manufacturer:

Other Similar products are found below :

[APF30318](#) [JVN1AF-4.5V-F](#) [PCN-105D3MHZ](#) [5JO-10000S-SIL](#) [5JO-1000CD-SIL](#) [5JO-400CD-SIL](#) [LY2S-AC220/240](#) [LYQ20DC12](#)
[6031007G](#) [6131406HQ](#) [6-1393099-8](#) [6-1393122-4](#) [6-1393123-2](#) [6-1393767-1](#) [6-1393843-7](#) [6-1415012-1](#) [6-1419102-2](#) [6-1423698-4](#) [6-](#)
[1608051-6](#) [6-1608067-0](#) [6-1616170-6](#) [6-1616248-2](#) [6-1616282-3](#) [6-1616348-2](#) [6-1616349-9](#) [6-1616350-1](#) [6-1616350-8](#) [6-1616358-7](#) [6-](#)
[1616359-9](#) [6-1616360-9](#) [6-1616931-6](#) [6-1617039-1](#) [6-1617052-1](#) [6-1617090-2](#) [6-1617090-5](#) [6-1617347-5](#) [6-1617353-3](#) [6-1617801-8](#) [6-](#)
[1618107-9](#) [6-1618248-4](#) [CX-4014](#) [MAHC-5494](#) [MAVCD-5419-6](#) [703XCX-120A](#) [7-1393100-5](#) [7-1393111-7](#) [7-1393767-8](#) [7-1414968-8](#) [7-](#)
[1419130-3](#) [7-1608047-2](#)