

THIS DRAWING IS UNPUBLISHED.

RELEASED FOR PUBLICATION

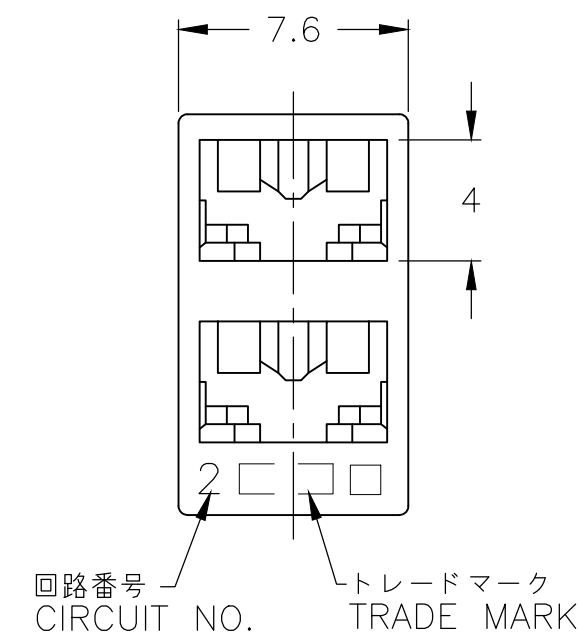
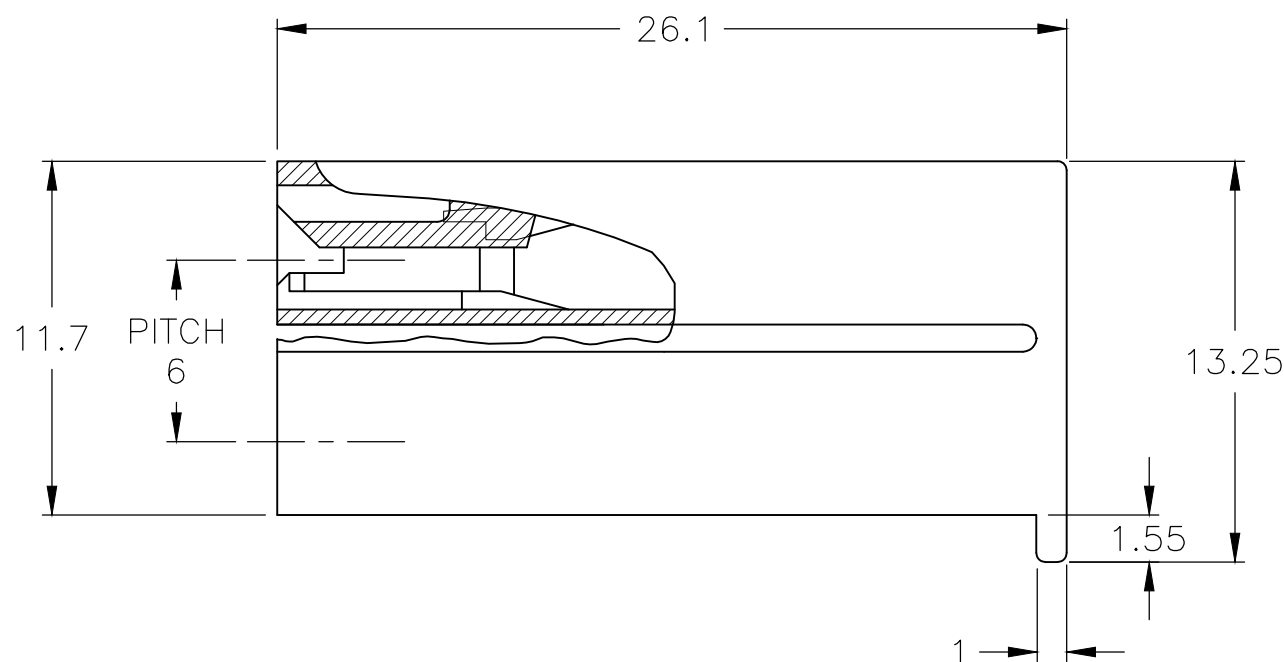
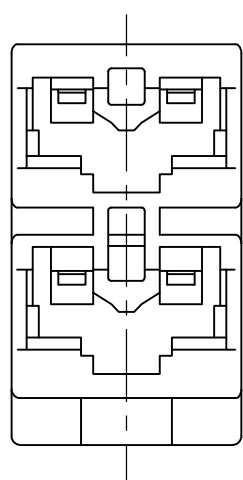
ALL RIGHTS RESERVED.

© COPYRIGHT - By -

REVISIONS

変更

| P | LTR | DESCRIPTION               | DATE      | DWN | APVD |
|---|-----|---------------------------|-----------|-----|------|
|   | E5  | REVISED PER ECR-19-002938 | 22FEB2019 | BH  | E.W  |



1 APPLICABLE CONTACT P/N : 170324-X,170325-X,170326-X

2 APPLICABLE MATING PART : LEAD SWITCH (2POS)

3 SEE DWG NO. CP80-25075 FOR APPLICABLE TAB DIMENSIONS.

△4 MATERIAL : 6/6 NYLON (UL94V-2)

△5 MATERIAL : 6/6 NYLON (UL94V-0)

△6 MATERIAL : 6/6 NYLON GLASS FILLED (UL94V-0)

△7 OBSOLETE : 1-172210-5, 172210-5

△8 MATERIAL : PA66, UL94 V-0, GWIT 775°C

△9 PARTS MAY APPEAR MEDIUM COLORED TO LIGHT COLORED AND EXHIBIT A MARBLING EFFECT.

|            |            |            |          |                |
|------------|------------|------------|----------|----------------|
|            |            | 1-172210-7 | 172210-7 | 赤色<br>RED      |
|            |            | 1-172210-2 | 172210-2 | 黒色<br>BLACK    |
| 3-172210-6 | 2-172210-6 | 1-172210-6 | 172210-6 | 青色<br>BLUE     |
|            |            | 1-172210-5 | 172210-5 | 緑色<br>GREEN    |
|            |            | 1-172210-4 | 172210-4 | 黄色<br>YELLOW   |
|            | 2-172210-1 | 1-172210-1 | 172210-1 | 自然色<br>NATURAL |
| △8 △9      | △6         | △5         | △4       | 色調<br>COLOR    |

|   |  |                                  |  |                    |                              |
|---|--|----------------------------------|--|--------------------|------------------------------|
| THIS DRAWING IS A CONTROLLED DOCUMENT.                              |  | DWN<br>J.SATO<br>26MAR2008       | <b>STE</b> TE Connectivity                                       |                    |                              |
| DIMENSIONS:<br>単位: 耗<br>mm  |  | CHK<br>S.MANABE<br>28MAR2008     |  |                    |                              |
| TOLERANCES UNLESS<br>OTHERWISE SPECIFIED:<br>一般公差                   |  | APVD<br>S.MANABE<br>28MAR2008    | NAME<br>名称<br>187 SERIES 2POS<br>POSITIVE LOCK (MARK-II) HOUSING |                    |                              |
| 0 PLC ±<br>1 PLC ±0.4<br>2 PLC ±-<br>3 PLC ±<br>4 PLC ±<br>ANGLES ± |  | PRODUCT SPEC<br>製品規格<br>108-5126 | SIZE<br>A3   | CAGE CODE<br>00779 | DRAWING NO<br>番号<br>C-172210 |
| MATERIAL<br>材料<br>SEE NOTE  |  | FINISH<br>仕上                     | RESTRICTED TO<br>-   |                    | SCALE<br>尺度<br>4:1           |
| CUSTOMER DRAWING  |  |                                  | SHEET<br>1 OF 1  |                    | REV<br>E5                    |

## X-ON Electronics

Largest Supplier of Electrical and Electronic Components

*Click to view similar products for [Automotive Connectors](#) category:*

*Click to view products by [TE Connectivity](#) manufacturer:*

Other Similar products are found below :

[003-018-000](#) [60403001](#) [60993906-B](#) [M902-2131](#) [M902-2161](#) [M902-2344](#) [72.330.1035.1](#) [73.353.4028.0](#) [F119300-B](#) [F166900](#) [F258300-B](#)  
[F358300-B](#) [F407400](#) [F444110](#) [F487000](#) [F509500B-B](#) [827153-1](#) [8N1515-32-24P](#) [9-1326729-8](#) [925474-1](#) [928905-1](#) [964562-4](#) [968782-1](#)  
[GT17SA-8DS-HU](#) [98891-1012](#) [98947-1016](#) [12004147](#) [12004475-L](#) [12010290](#) [12010309-B](#) [12015454](#) [12020219-B](#) [12041318-B](#) [12052225-](#)  
[L](#) [12052466](#) [12064869](#) [12004327-B](#) [12015308](#) [12015384](#) [12015909](#) [1-21030-1](#) [12041254](#) [12041318](#) [12047946-B](#) [12047957](#) [12047957-L](#)  
[12059473](#) [12066261](#) [12110546](#) [12110546-B](#)