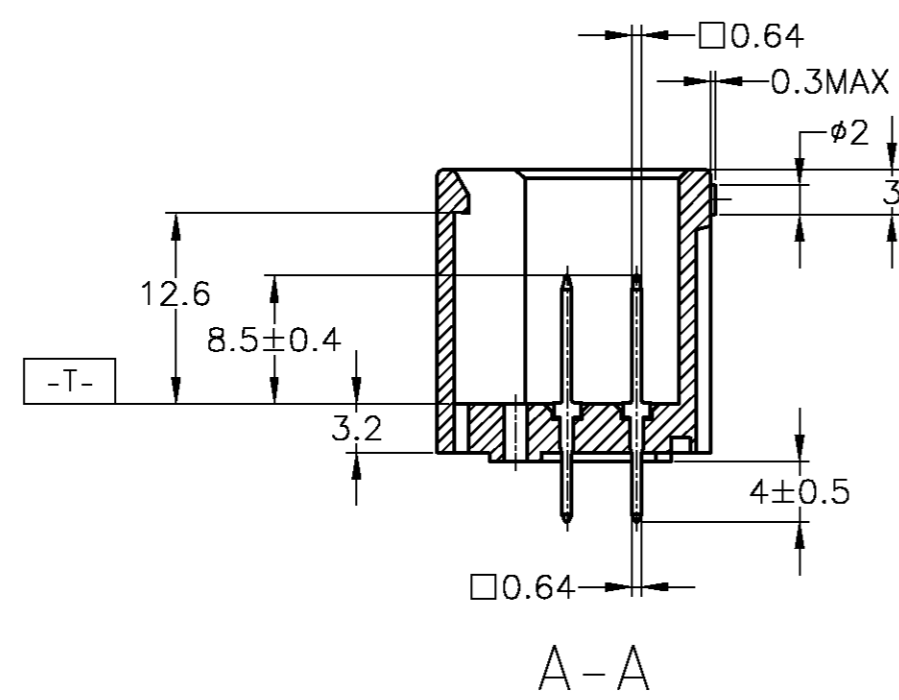
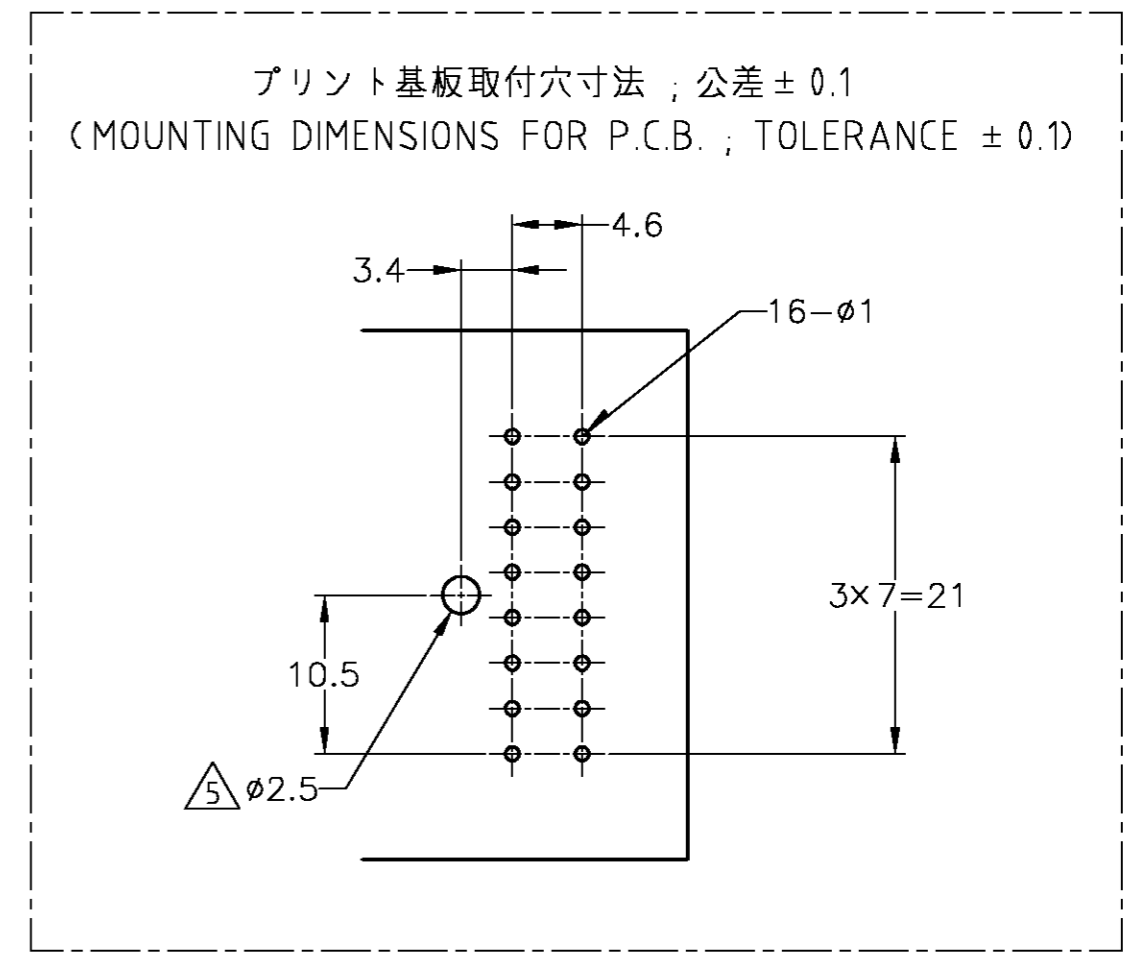
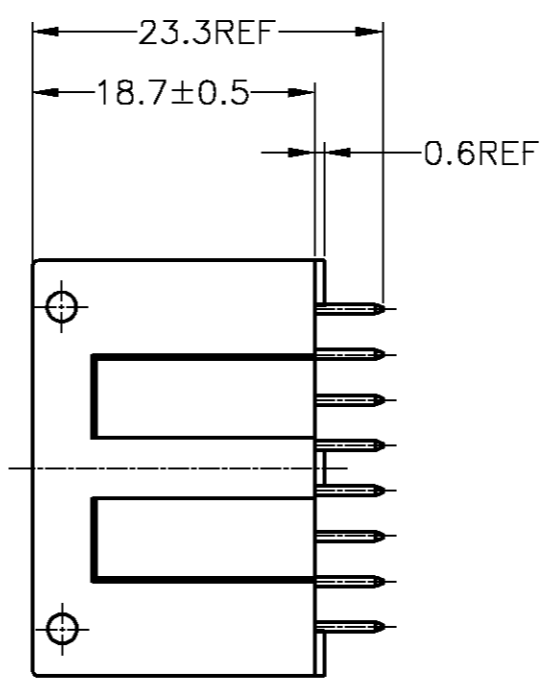
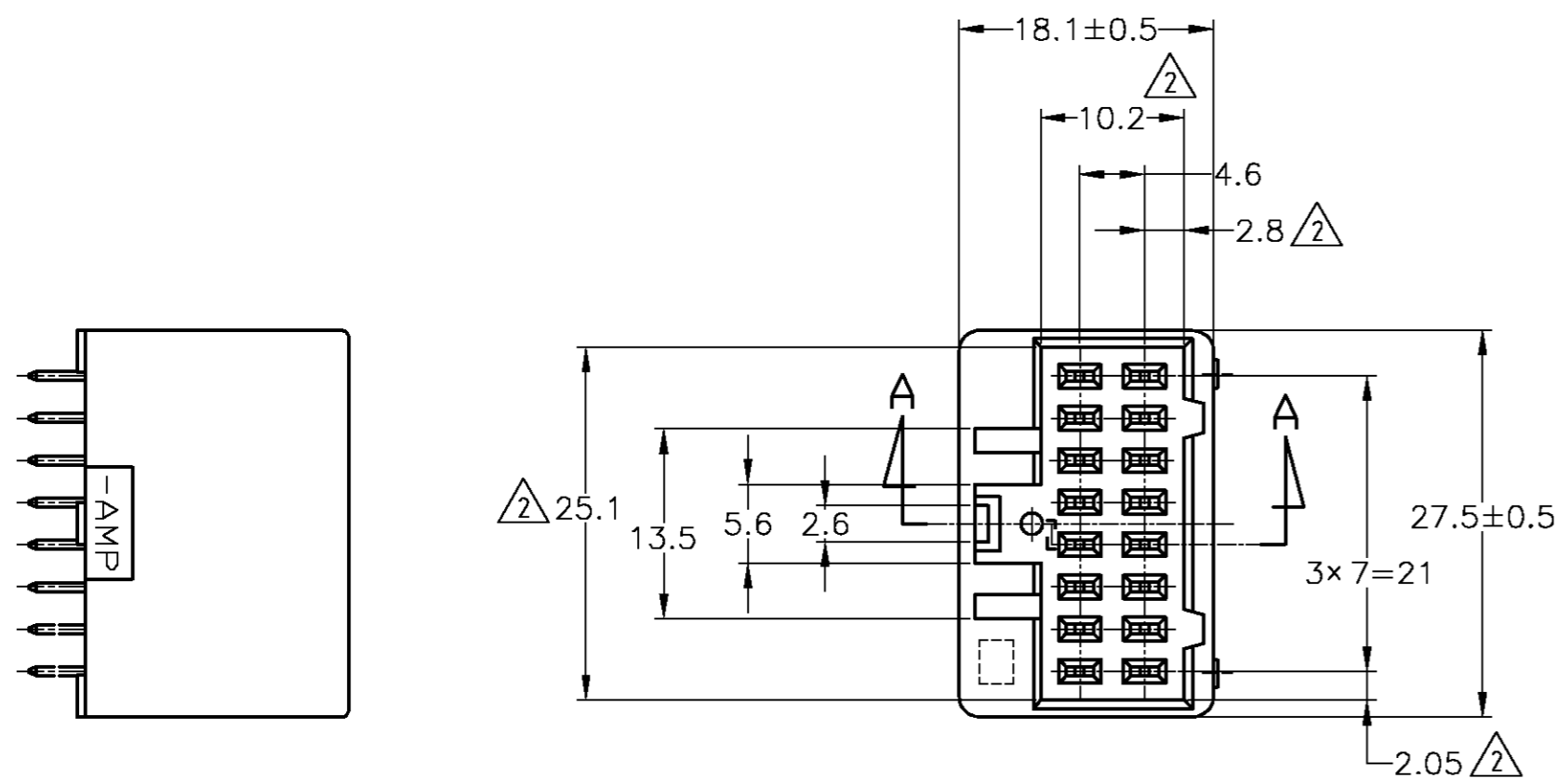


THIS DRAWING IS UNPUBLISHED. RELEASED FOR PUBLICATION
 © COPYRIGHT BY TYCO ELECTRONICS CORPORATION. ALL RIGHTS RESERVED.

LOC	DIST	REVISIONS					
J	-	P	LTR	DESCRIPTION	DATE	DWN	APVD
		C1	REVISED	ECR-06-003257	10FEB06	TS	KB



1. プリント基板にポストの変形なく挿入可能なこと。
 △ [-T-] 面より2mmの範囲で測定
 3. 適合する相手ハウジング型番 172021,172852
 4. 適用製品規格 ; 108-5124
 - △ 推奨取付ねじ ; JIS B1115,B1122
 タッピンねじ なべ3種又は4種 呼び径2の長さ5。
1. MUST BE INSERTED TO P.C.B. WITHOUT POST DEFORMATION.
 - △ MUST BE KEPT BETWEEN [-T-] AND 2.
 3. MATING PLUG HOUSING ; 172021,172852
 4. PRODUCT SPECIFICATION ; 108-5124
 - △ RECOMMENDED MOUNTING SCREW ; JIS B1115 OR B1122
 PAN HEAD TAPPING SCREW, CLASS 3 OR 4, DIAMETER 2, LENGTH 5.

SELECTIVE-TIN	PRE-TIN	BLACK	172258-2
SELECTIVE-TIN (MATTE)	SELECTIVE-TIN (BRIGHT)	BLACK	172258-1
SOLDERING SIDE 半田付け部	CONTACT SIDE 接触部	COLOR 色	PART NUMBER 製品型番
CONTACT FINISH コンタクト仕上			

THIS DRAWING IS A CONTROLLED DOCUMENT.		DWN T.SHINOHARA 10FEB06	Tyco Electronics AMP K.K. Kawasaki, Japan	
DIMENSIONS: 単位: 特 mm		CHK K.BETSUI 10FEB06	NAME K.BETSUI	
TOLERANCES UNLESS OTHERWISE SPECIFIED: 一般公差		APVD K.BETSUI 10FEB06	PRODUCT SPEC 製品規格 SEE NOTE 4	
0 PLC ± 1 PLC ± 2 PLC ± 3 PLC ± 4 PLC ± ANGLES ±		APPLICATION SPEC 取付適用規格	16POSITION CAP HOUSING ASSEMBLY (VERTICAL TYPE) DUAL LINE INTERLOCK CONNECTOR	
MATERIAL HOUSING: 66NYLON POST: COPPER ALLOY		FINISH 仕上 SEE TABLE	SIZE A2	CAGE CODE 00779
DRAWING NO 172258		RESTRICTED TO		
CUSTOMER DRAWING		SCALE 2:1	SHEET 1 OF 1	REV C1

172258

A

X-ON Electronics

Largest Supplier of Electrical and Electronic Components

Click to view similar products for [Headers & Wire Housings](#) category:

Click to view products by [TE Connectivity](#) manufacturer:

Other Similar products are found below :

[892-18-020-10-001101](#) [58102-G61-06LF](#) [582553-1](#) [0009485154](#) [009176003701906](#) [0050291907](#) [LY20-4P-DT1-P1E-BR](#) [02.125.8002.8](#)
[609-3404](#) [61062-3](#) [61082-181009](#) [622-3653LF](#) [63453-116](#) [636-1030](#) [636-1427](#) [636-3427](#) [636-4007](#) [641938-9](#) [641991-4](#) [644827-2](#) [65817-010LF](#) [65817-015LF](#) [65863-015LF](#) [66207-023LF](#) [67095-007LF](#) [67601157](#) [68645-018](#) [68648-049](#) [70.362.1628.0](#) [70-4210](#) [70-4226B](#) [70-4853B](#) [707-5020](#) [707-5028](#) [71.350.2428.0](#) [71918-208LF](#) [71961-016LF](#) [733-134](#) [733-162](#) [754199-000](#) [760-3052](#) [787-8014-00](#) [79531-3000](#)
[FCN-360C032-B](#) [FCN-367T-T012/H](#) [FCN-723D010/2](#) [80.063.4001.1](#) [800-90-001-10-001000](#) [800-90-010-10-002000](#) [801-43-002-10-013000](#)