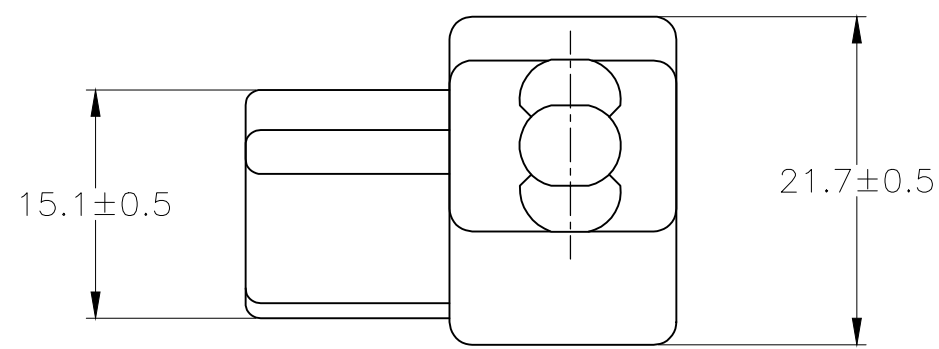
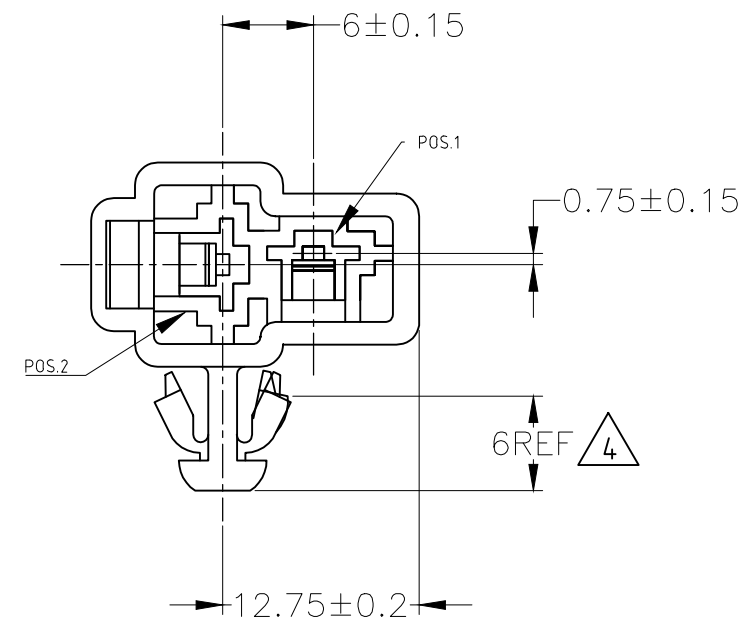
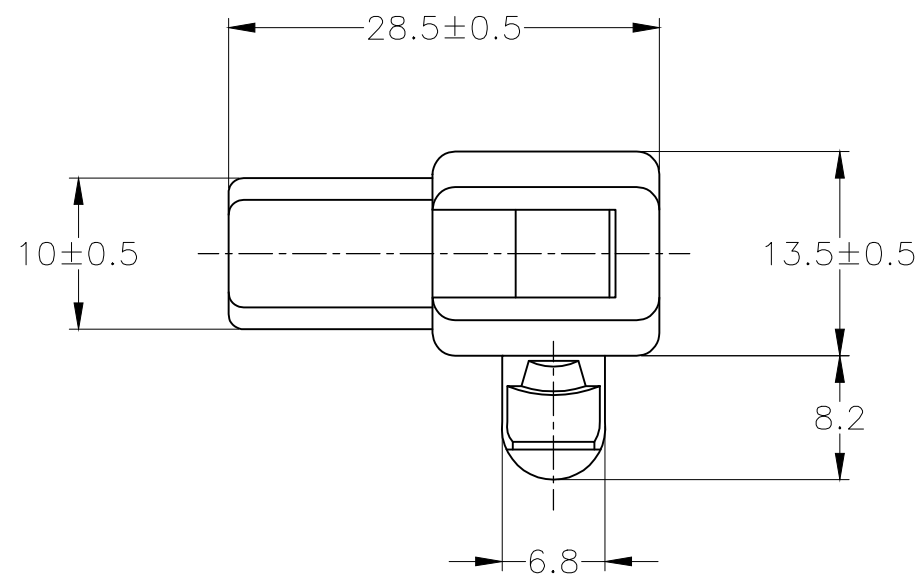


THIS DRAWING IS UNPUBLISHED. RELEASED FOR PUBLICATION  
 © COPYRIGHT BY TYCO ELECTRONICS CORPORATION. ALL RIGHTS RESERVED.

| LOC | DIST | REVISIONS |     |                           |           |     |      |
|-----|------|-----------|-----|---------------------------|-----------|-----|------|
| J   | —    | P         | LTR | DESCRIPTION               | DATE      | DWN | APVD |
|     |      |           | C3  | REVISED PER ECR-20-005366 | 21APR2020 | SS  | DL   |



1. 嵌合する相手ハウジングは型番172130
2. 使用端子は型番170340, 170341, 170349
3. 適用パネル穴径7.0mm 板厚0.65~1.2mm
- △4 パネルに取付けた時のパネル内側に必要スペース
5. 適用製品規格番号; 108-5153

1. THE MATING COUNTERPART NUMBER 172130
2. APPLIED CONTACT; PN 170340, 170341, 170349
3. APPLICABLE PANEL; HOLD DIMENSION 7.0mm; THICKNESS 0.65~1.2mm
- △4 A SPACING REQUIRED INSIDE OF THE PANEL FOR MOUNTING PANEL
5. APPLICABLE PRODUCT SPEC NO. 108-5153
- △6 OBSOLETE PARTS

|    |               |                |
|----|---------------|----------------|
| △6 | 淡灰 LIGHT GRAY | —6-172383-6—   |
|    | 桃 PINK        | 1-172383-0     |
| △6 | 赤 RED         | —172383-9—     |
| △6 | 灰 GRAY        | —172383-6—     |
|    | 青 BLUE        | 172383-5       |
| △6 | 茶 BROWN       | —172383-3—     |
|    | 黒 BLACK       | 172383-2       |
|    | 自然色 NATURAL   | 172383-1       |
|    | 色 COLOR       | 型番 PART NUMBER |

TOLERANCE UNLESS OTHERWISE SPECIFIED: 一般公差

|              |         |
|--------------|---------|
| 0 < x ≤ 10   | : ±0.2  |
| 10 < x ≤ 30  | : ±0.25 |
| 30 < x ≤ 100 | : ±0.3  |
| ANGLE ; 角度   | : ±3°   |

|   |  |                              |   |                 |
|---|--|------------------------------|---|-----------------|
| THIS DRAWING IS A CONTROLLED DOCUMENT.                                |  | DWN T.SHINOHARA 21OCT03      | <b>TE</b> TE Connectivity               |                 |
| DIMENSIONS: 単位: 耗 MM  |  | CHK K.BETSUI 21OCT03         |   |                 |
| TOLERANCES UNLESS OTHERWISE SPECIFIED: 一般公差                           |  | APVD K.BETSUI 21OCT03        | NAME 250 SERIES HOUSING LANCE CONNECTOR |                 |
| 0 PLC ±-<br>1 PLC ±-<br>2 PLC ±-<br>3 PLC ±-<br>4 PLC ±-<br>ANGLES ±- |  | PRODUCT SPEC 製品規格 SEE NOTE 5 | 2 POSITION CAP HOUSING                  |                 |
| MATERIAL 6/6 ナイロン 6/6 NYLON   |  | APPLICATION SPEC 取付適用規格      | PANEL MOUNT TYPE                        |                 |
| FINISH 色 ; 表参照 COLOR; SEE TABLE                                       |  | WEIGHT -                     | SIZE A3                                 | CAGE CODE 00779 |
|   |  | DRAWING NO 番号 G-172383       |   | RESTRICTED TO - |
|   |  | CUSTOMER DRAWING             |   | SCALE 尺度 2:1    |
|   |  |                              |   | SHEET 1 OF 1    |
|   |  |                              |   | REV C3          |

## X-ON Electronics

Largest Supplier of Electrical and Electronic Components

*Click to view similar products for [Headers & Wire Housings](#) category:*

*Click to view products by [TE Connectivity](#) manufacturer:*

Other Similar products are found below :

[892-18-020-10-001101](#) [58102-G61-06LF](#) [582553-1](#) [0009485154](#) [009176003701906](#) [0050291907](#) [LY20-4P-DT1-P1E-BR](#) [02.125.8002.8](#)  
[609-3404](#) [61062-3](#) [61082-181009](#) [622-3653LF](#) [63453-116](#) [636-1030](#) [636-1427](#) [636-3427](#) [636-4007](#) [641938-9](#) [641991-4](#) [644827-2](#) [65817-010LF](#) [65817-015LF](#) [65863-015LF](#) [66207-023LF](#) [67095-007LF](#) [67601157](#) [68645-018](#) [68648-049](#) [70.362.1628.0](#) [70-4210](#) [70-4226B](#) [70-4853B](#) [707-5020](#) [707-5028](#) [71.350.2428.0](#) [71918-208LF](#) [71961-016LF](#) [733-134](#) [733-162](#) [754199-000](#) [760-3052](#) [787-8014-00](#) [79531-3000](#)  
[FCN-360C032-B](#) [FCN-367T-T012/H](#) [FCN-723D010/2](#) [80.063.4001.1](#) [800-90-001-10-001000](#) [800-90-010-10-002000](#) [801-43-002-10-013000](#)