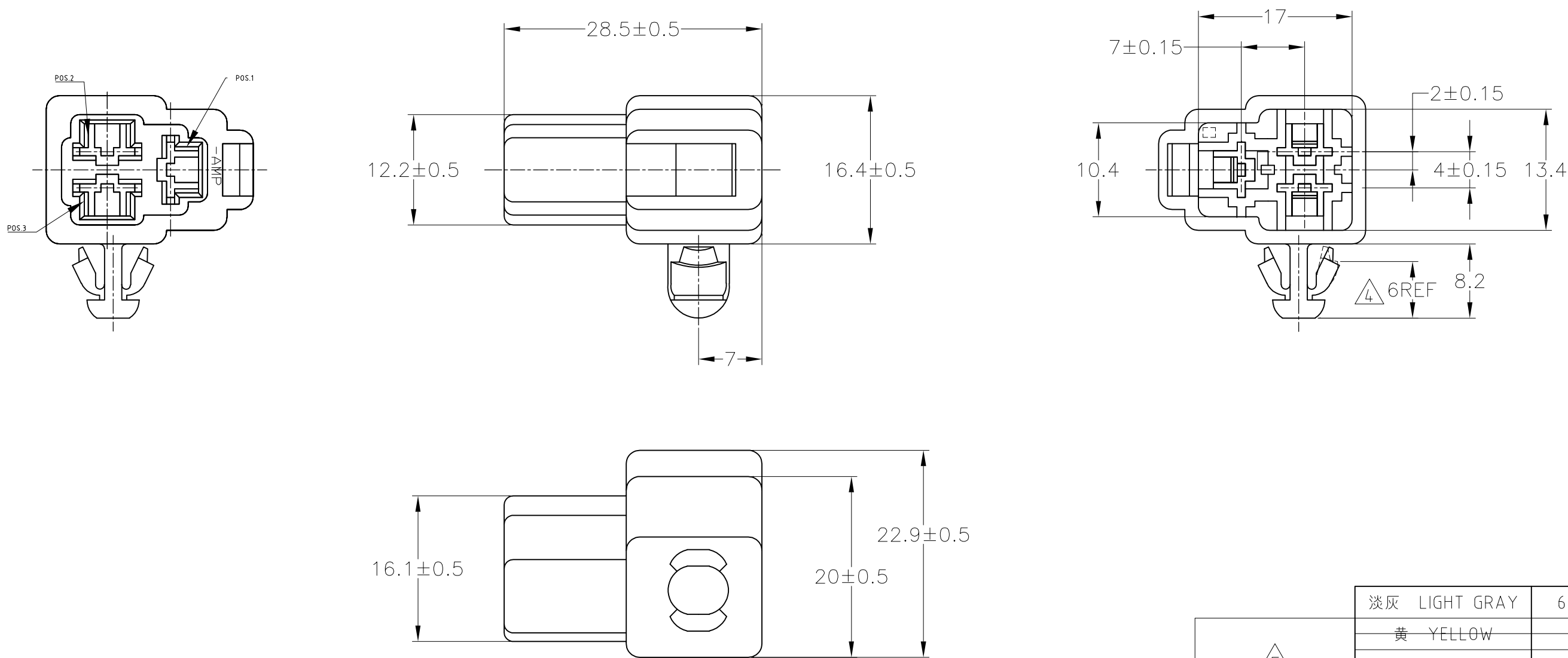


THIS DRAWING IS UNPUBLISHED. RELEASED FOR PUBLICATION
 © COPYRIGHT BY TYCO ELECTRONICS CORPORATION. ALL RIGHTS RESERVED.

LOC	DIST	REVISIONS					
		P	LTR	DESCRIPTION	DATE	DWN	APVD
J	—	B1	REDRAWN W/CHANGE	ECR-07-030673	19DEC07	TS	KB
		B2	REVISED PER ECO-13-017142		01NOV13	B.P	D.Z



- 1. 嵌合する相手ハウジングは型番 172132
- 2. 適用端子は型番 170340, 170341, 170349
- 3. 適用パネル穴径 7.0mm, 板厚 0.65~1.2mm
- 4. パネルに取付けた時のパネル内側に必要なスペース (参考寸法)

- 1. THE MATING COUNTERPART NUMBER 172132
- 2. APPLIDE CONTACT; PART NUMBER 170340, 170341 AND 170349.
- 3. APPLICABLE PANEL: HOLD DIMENSION 7.0mm
: THICKNESS 0.65~1.2mm

- 4. A SPACING REQUIRED INSIDE OF THE PANEL FOR MOUNTING PANEL (REFERENCE DIMENSION)
- 5. OBSOLETE PARTS: OBSOLETE CIS STREAMLINING PER D.RENAUD/D.SINISI

 OBSOLETE	淡灰 LIGHT GRAY	6-172384-6
	黄 YELLOW	172384-7
	灰 GRAY	172384-6
	緑 GREEN	172384-4
	茶 BROWN	172384-3
	黒 BLACK	172384-2
	自然色 NATURAL	172384-1
COLOR 色	PART NUMBER 型番	

一般公差 (GENERAL TOLERANCE)
10以下 : ±0.2
10を超え 30以下 : ±0.25
30を超え 100以下 : ±0.3
角 度 : ±3°

THIS DRAWING IS A CONTROLLED DOCUMENT.	
DIMENSIONS: 単位: 耗 mm	TOLERANCES UNLESS OTHERWISE SPECIFIED: 一般公差
	0 PLC ± -
	1 PLC ± -
	2 PLC ± -
	3 PLC ± -
MATERIAL 材料 6/6 NYLON	FINISH 仕上 SEE TABLE

DWN T.SHINOHARA 19DEC07	Tyco Electronics Corporation Kawasaki, Japan	
CHK K.BETSUI 19DEC07	NAME 名称 B2	
APVD K.BETSUI 19DEC07	250 SERIES HOUSING LANCE CONNECTOR 3POSITION CAP HOUSING PANEL MOUNT TYPE	
PRODUCT SPEC 製品規格	SIZE A3	CAGE CODE 00779
APPLICATION SPEC 取付適用規格	DRAWING NO 番号 G-172384	
WEIGHT -	RESTRICTED TO -	
CUSTOMER DRAWING		SCALE 尺度 2:1
		SHEET 1 OF 1
		REV B2

X-ON Electronics

Largest Supplier of Electrical and Electronic Components

Click to view similar products for [Terminals](#) category:

Click to view products by [TE Connectivity](#) manufacturer:

Other Similar products are found below :

[00-054007-01074-6](#) [00-054007-70206-1](#) [00-054007-70210-8](#) [00-054007-70217-7](#) [00-054007-70226-9](#) [00-054007-70228-3](#) [00-054007-70248-1](#) [00-054007-70256-6](#) [00-054007-70301-3](#) [00-054007-70316-7](#) [00-054007-49560-4](#) [00-054007-70209-2](#) [00-054007-70225-2](#) [00-054007-70227-6](#) [00-054007-70231-3](#) [00-054007-70241-2](#) [00-054007-70242-9](#) [00-054007-70244-3](#) [00-054007-70246-7](#) [00-054007-70263-4](#) [00-054007-70288-7](#) [00-054007-70290-0](#) [00-054007-70300-6](#) [00-054007-70304-4](#) [01-2065-1-0216](#) [01-2900-1-04412](#) [00581P0075](#) [600TS-10](#) [60205-1](#) [604200-1](#) [605601-1](#) [60598-1-CUT-TAPE](#) [61314-6-C](#) [61810-3](#) [61-S](#) [61-SN](#) [626-0194](#) [62-NBM-A](#) [62-SN](#) [62-SP](#) [63-S](#) [640179-1](#) [M55155/059I03](#) [M55155/079C01](#) [M55155/099H02](#) [M55155/109H01](#) [M55155/109H02](#) [M55155/12XH05](#) [M55155/16XH02](#) [M55155/29-5S](#)