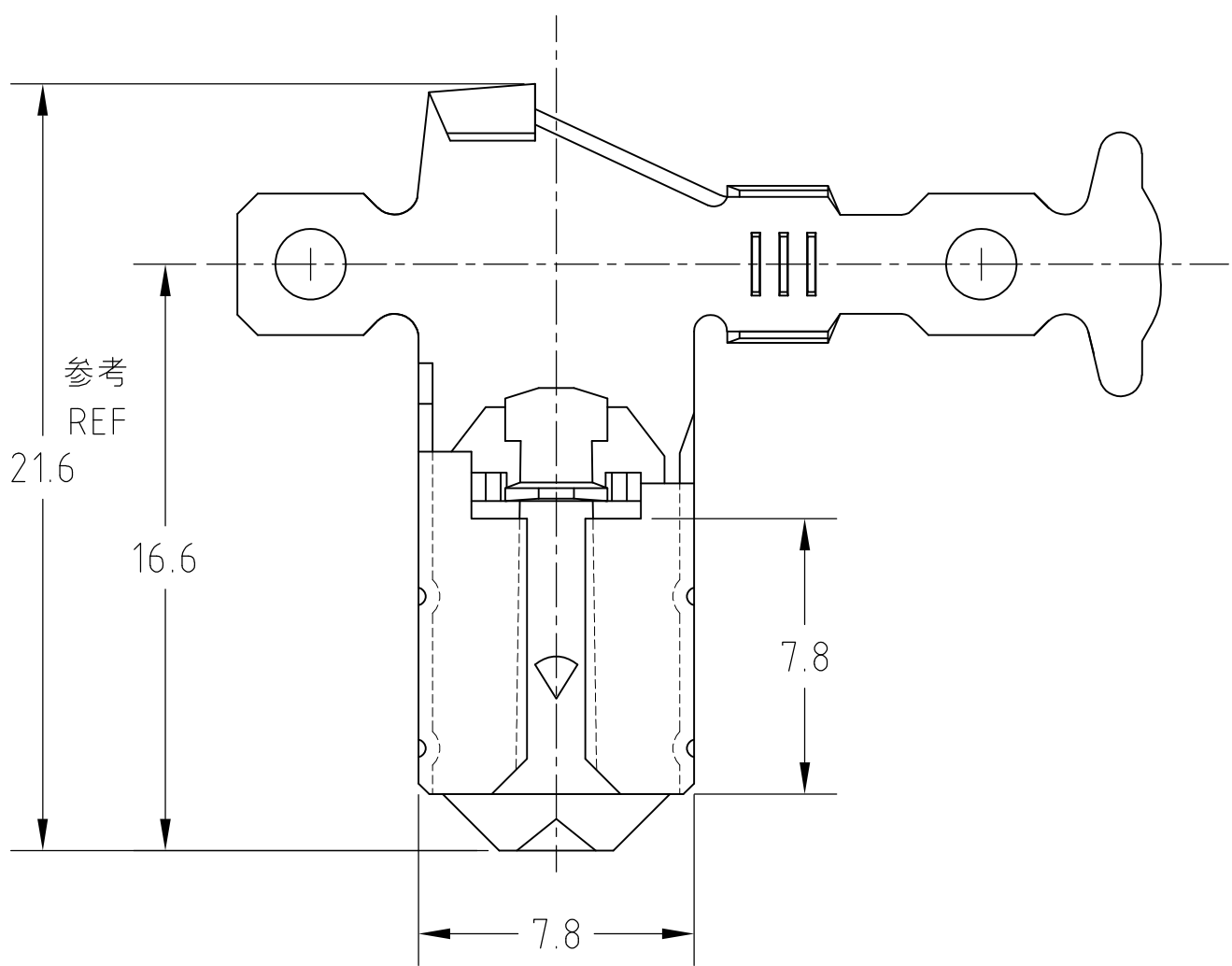


THIS DRAWING IS UNPUBLISHED. RELEASED FOR PUBLICATION
 © COPYRIGHT BY TYCO ELECTRONICS CORPORATION. ALL RIGHTS RESERVED.

LOC	DIST	REVISIONS 変更			
P	LTR	DESCRIPTION	DATE	DWN	APVD
	A	REDRAWN WITH CHANGE ECR-05-001810	18APR05	J.S	N.Y
	A1	REVISED ECR-05-017845	13DEC05	J.S	N.Y
	A2	REV PER ECO-10-000443	13JAN10	KK	AEG

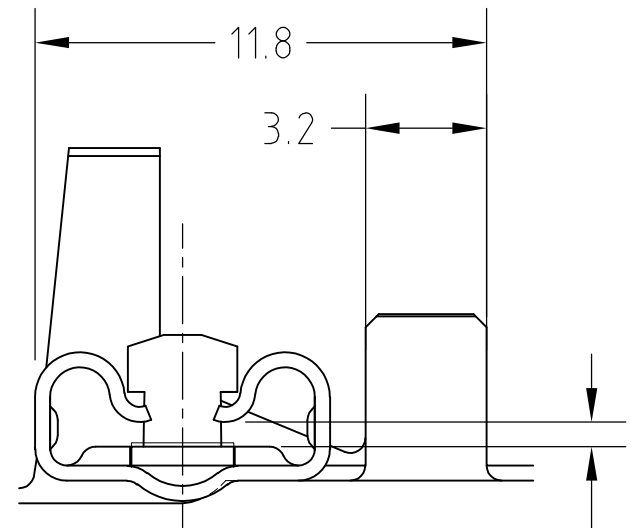


- 注：
 1. 一般公差 ±0.3, ±3°
 2. 適用ハウジング型番：172469
 3. 取扱説明書番号：15-212J

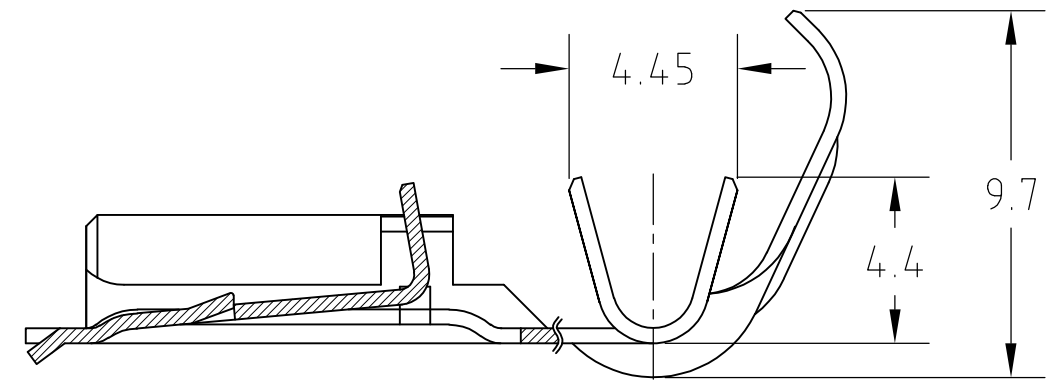
- NOTES:
 1. GENERAL TOLERANCE ±0.3, ±3°
 2. APPLICABLE HOUSING P/N: 172469
 3. APPLICABLE INSTRUCTION SHEET: 15-212J

△ OBSOLETE PARTS: OBSOLETE CIS STREAMLINING PER D.RENAUD/D.SINISI

△ OBSOLETE	符号	材料	型番
	—//—	錫めっき済 銅合金 PRE-TIN COPPER ALLOY	172765-2
		錫めっき済 黄銅 PRE-TIN BRASS	172765-1
		ばら状端子型番 LOOSE PIECE P/N	材料 MATERIAL
			型番 P/N



0.8厚タブとカン合
 MATE WITH 0.8mm THK TAB



THIS DRAWING IS A CONTROLLED DOCUMENT.		DWN J.SATO 18APR2005	tyco Tyco Electronics AMP K.K.	
DIMENSIONS: 単位： 耗 mm		CHK N.YAMASAKI 18APR.2005	Electronics Kawasaki, Japan	
TOLERANCES UNLESS OTHERWISE SPECIFIED: 一般公差		APVD N.YAMASAKI 18APR2005	NAME 名称 250 SERIES FLAG POSITIVE LOCK (MARK-II) RECEPTACLE	
0 PLC ± 1 PLC ± 2 PLC ± 3 PLC ± 4 PLC ± ANGLES ±		PRODUCT SPEC 製品規格 108-5162	SIZE A3	CAGE CODE 00779
MATERIAL 材料 SEE TABLE		APPLICATION SPEC 取付適用規格 114-5070	DRAWING NO 番号 G-172765	RESTRICTED TO —
FINISH 仕上		WEIGHT	SCALE 尺度 5:1	
		CUSTOMER DRAWING		SHEET 1 OF 1
				REV A2

X-ON Electronics

Largest Supplier of Electrical and Electronic Components

Click to view similar products for [Terminals](#) category:

Click to view products by [TE Connectivity](#) manufacturer:

Other Similar products are found below :

[00-054007-01074-6](#) [00-054007-70206-1](#) [00-054007-70210-8](#) [00-054007-70217-7](#) [00-054007-70226-9](#) [00-054007-70228-3](#) [00-054007-70248-1](#) [00-054007-70256-6](#) [00-054007-70301-3](#) [00-054007-70316-7](#) [00-054007-49560-4](#) [00-054007-70209-2](#) [00-054007-70225-2](#) [00-054007-70227-6](#) [00-054007-70231-3](#) [00-054007-70241-2](#) [00-054007-70242-9](#) [00-054007-70244-3](#) [00-054007-70246-7](#) [00-054007-70263-4](#) [00-054007-70288-7](#) [00-054007-70290-0](#) [00-054007-70300-6](#) [00-054007-70304-4](#) [01-2065-1-0216](#) [01-2900-1-04412](#) [00581P0075](#) [600TS-10](#) [60205-1](#) [604200-1](#) [605601-1](#) [60598-1-CUT-TAPE](#) [61314-6-C](#) [61810-3](#) [61-S](#) [61-SN](#) [626-0194](#) [62-NBM-A](#) [62-SN](#) [62-SP](#) [63-S](#) [640179-1](#) [M55155/059I03](#) [M55155/079C01](#) [M55155/099H02](#) [M55155/109H01](#) [M55155/109H02](#) [M55155/12XH05](#) [M55155/16XH02](#) [M55155/29-5S](#)