

THIS DRAWING IS UNPUBLISHED.

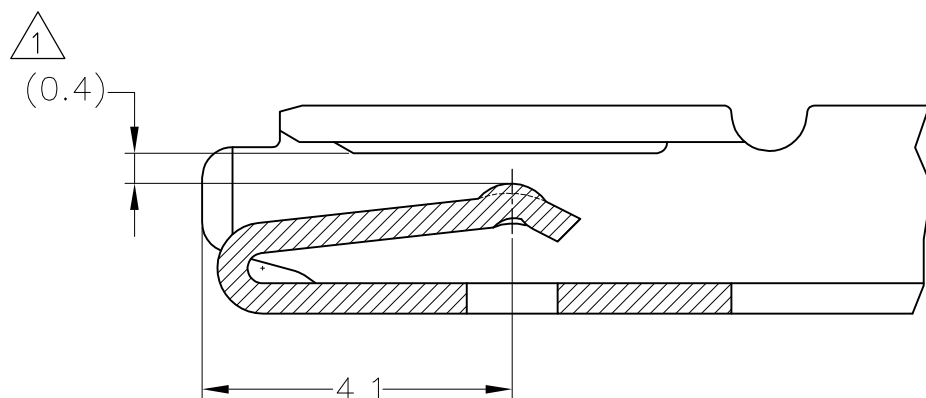
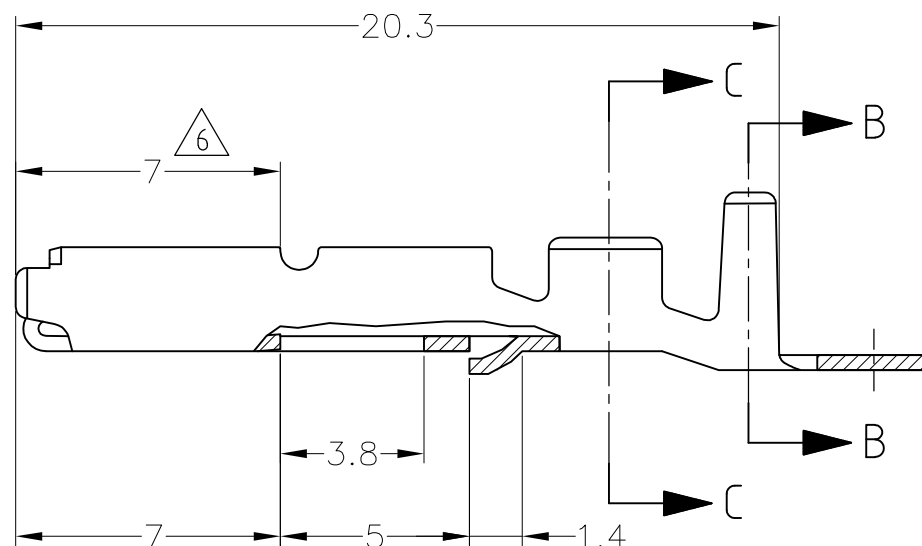
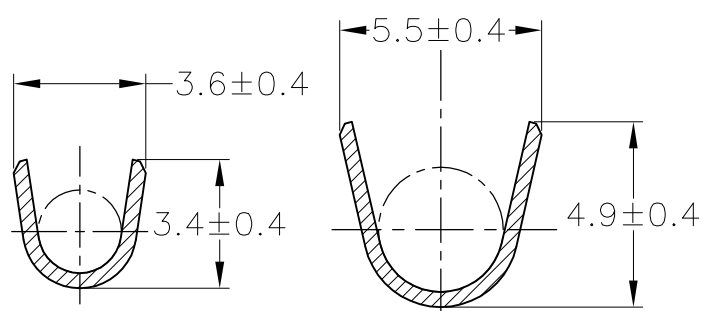
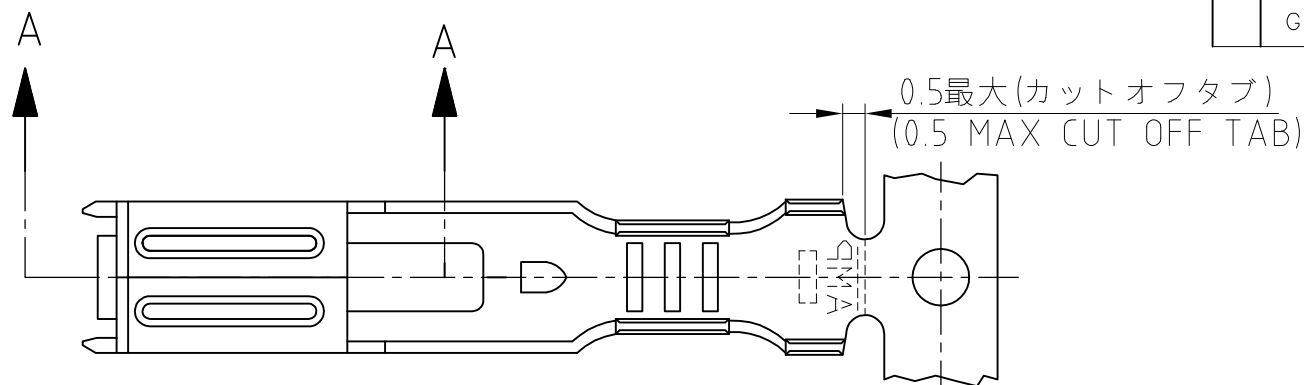
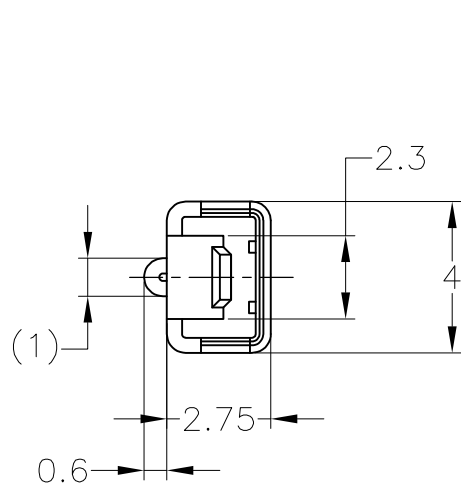
RELEASED FOR PUBLICATION APR, 2017.

REVISIONS

© COPYRIGHT 2017 Tyco Electronics Japan G.K.

ALL RIGHTS RESERVED.

P	LTR	DESCRIPTION	DATE	DWN	APVD
	G1	REVISED	08MAR16	DM	TK



A-A SCALE 10: 1

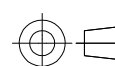
- △ 0.65t タブと嵌合
- 2. 嵌合相手タブ型番 172777, 172778
- 3. 製品規格 No.108-5165,5166
- 4. 取付適用規格 No.114-5071
- 5. 相手ハウジング型番 172500 他
- △ 逆巻きリール

- △ MATE WITH 0.65t TAB.
- 2. MATE TAB P/N 172777,172778.
- 3. PRODUCT SPEC. No.108-5165,5166
- 4. APPLICATION SPEC. No.114-5071.
- 5. PLUG HSG P/N 172500 ETC.
- △ REVERSE REEL.

172774-5	錫メッキ済 PRE-TIN	KLF-5	△ 1-172773-5	7
172774-1	錫メッキ済 PRE-TIN	黄銅 BRASS	△ 1-172773-1	6
172774-6	部分金メッキ SELECTIVE GOLD △6	磷青銅 PHOS-BRO	172773-6	5
172774-5	錫メッキ済 PRE-TIN	KLF-5	172773-5	4
172774-4	錫メッキ済 PRE-TIN	磷青銅 PHOS-BRO	172773-4	3
SEE DRAWING 172773-2			172773-2	2
172774-1	錫メッキ済 PRE-TIN	黄銅 BRASS	172773-1	1
バラ状端子型番 L-P NO.	仕上 FINISH	材料 MATERIAL	型番 PART NUMBER	項番 ID

THIS DRAWING IS A CONTROLLED DOCUMENT.

DIMENSIONS:
mm



TOLERANCES UNLESS OTHERWISE SPECIFIED:

0 PLC	±
1 PLC	±
2 PLC	±
3 PLC	±
4 PLC	±
ANGLES	±
FINISH	±

MATERIAL
SEE TABLE

SEE TABLE

DWN D.MATSUURA 08MAR16
 CHK S.IWATANI 08MAR16
 APVD T.KOHNO 08MAR16
 PRODUCT SPEC
 APPLICATION SPEC
 SEE NOTE

STE TE Connectivity

RECEPTACLE CONTACT
MULTI INTER LOCK CONNECTOR
MARK II

SIZE	CAGE CODE	DRAWING NO	RESTRICTED TO
A3	00779	C-172773	—

CUSTOMER DRAWING SCALE 5:1 SHEET 1 OF 1 REV G1

WIRE RANGE	INSULATION DIA
0.5-2.27mm ² (AWG #22-#18)	2.1-3.4 mm DIA

TOLERANCE UNLESS OTHERWISE SPECIFIED: 一般公差	
0 < x ≤ 10	±0.2
10 < x ≤ 30	±0.25
30 < x ≤ 100	±0.3
ANGLE ; 角度	±3°

X-ON Electronics

Largest Supplier of Electrical and Electronic Components

Click to view similar products for [Automotive Connectors](#) category:

Click to view products by [TE Connectivity](#) manufacturer:

Other Similar products are found below :

[003-018-000](#) [60403001](#) [60993906-B](#) [M902-2131](#) [M902-2161](#) [M902-2344](#) [72.330.1035.1](#) [73.353.4028.0](#) [F119300-B](#) [F166900](#) [F258300-B](#)
[F358300-B](#) [F407400](#) [F444110](#) [F487000](#) [F509500B-B](#) [827153-1](#) [8N1515-32-24P](#) [9-1326729-8](#) [925474-1](#) [928905-1](#) [964562-4](#) [968782-1](#)
[GT17SA-8DS-HU](#) [98891-1012](#) [98947-1016](#) [12004147](#) [12004475-L](#) [12010290](#) [12010309-B](#) [12015454](#) [12020219-B](#) [12041318-B](#) [12052225-](#)
[L](#) [12052466](#) [12064869](#) [12004327-B](#) [12015308](#) [12015384](#) [12015909](#) [1-21030-1](#) [12041254](#) [12041318](#) [12047946-B](#) [12047957](#) [12047957-L](#)
[12059473](#) [12066261](#) [12110546](#) [12110546-B](#)