

THIS DRAWING IS UNPUBLISHED.

RELEASED FOR PUBLICATION

(C) COPYRIGHT

ALL RIGHTS RESERVED.

LOC J
DIST -

REVISIONS

変更

DESCRIPTION

DATE

DWN

APVD

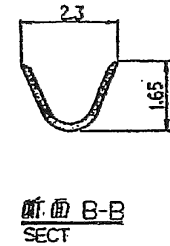
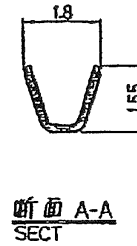
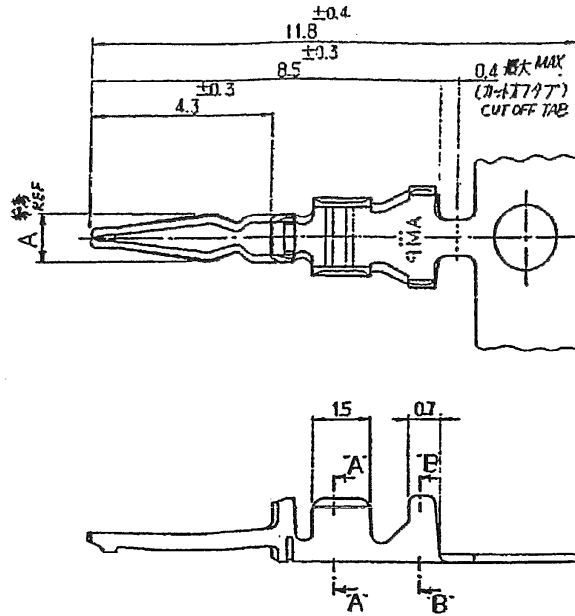
P C2

REVISED PER ECR-14-013099

09DEC2014

NK

GJ



NOTES:

1. APPLICABLE HDR HSG :172520(2.5PITCH)
:172890(2.0PITCH)
 2. PRODUCT SPEC:108-5163
 3. CRIMPING SPEC:114-5062
COMMON APPLICATOR FOR 2/2.5MM PITCH
HDR HSG:P/N 755764-X
EXCLUSIVE APPLICATOR FOR 2.5MM PITCH
HDR HSG:P/N 752829-X
 4. INSTRUCTION SHEET:IS-206J,207J,208J
5. LOOSE PIECE 172797-X SUPERSEDED BY CONTINUOUS 172781-X.

注記

1. 適用ハウジング型番:172520(2.5MMピッチ用)
:172890(2.0MMピッチ用)
2. 製品規格: 108-5163
3. 取付適用規格: 114-5062
2/2.5MMピッチ・ヘッダーハウジング
専用アプリケーター型番: 755764-X
2.5MMピッチ・ヘッダーハウジング
専用アプリケーター型番: 752829-X
4. 取扱説明書: IS-206J,207J,208J

1.2	1 -0.05 DIA	1.2-1.6	5	POST-TINNED BRASS 0.2t 錫めっき仕上黄銅0.2t	172781-4
0.95	0.8 ±0.1 DIA	1.2-1.6	5	POST-TINNED BRASS 0.2t 錫めっき仕上黄銅0.2t	172781-3
1.2	1 -0.05 DIA	1.2-1.6	5	PRE-TINNED BRASS 0.2t	172781-2
0.95	0.8 ±0.1 DIA	1.2-1.6	5	錫めっき済黄銅0.2t	172781-1
A REF	APPLICABLE PCB HOLE AND THK	LOOSE PIECE CONTACT P/N	MATERIAL	PART NO.	
参考 A寸法	適用基板穴径と板厚	バラ状端子型番	材料	型番	

THIS DRAWING IS A CONTROLLED DOCUMENT.		DWN J.SATO 120CT05	TE Connectivity LOW PROFILE MINI AMP-IN CONTACT		RESTRICTED TO -
DIMENSIONS: 単位: 純 mm		CHK N.YAMASAKI 120CT05			
TOLERANCES UNLESS OTHERWISE SPECIFIED: 一般公差		APVD N.YAMASAKI 120CT05	NAME 名称		
10 ≤ ± 0.2		PRODUCT SPEC 製品規格	DRAWING NO 番号		
10 < ≤ 30 ± 0.25		APPLICATION SPEC 取付適用規格	SIZE A3	CAGE CODE 00779	
30 < ≤ 100 ± 0.3		WEIGHT	C-172781		
ANGLES ± 5°		CUSTOMER DRAWING	SCALE 尺度	SHEET 1 OF 1	REV C2
FINISH 仕上					
MATERIAL 材料 SEE TABLE					

X-ON Electronics

Largest Supplier of Electrical and Electronic Components

Click to view similar products for [Headers & Wire Housings](#) category:

Click to view products by [TE Connectivity](#) manufacturer:

Other Similar products are found below :

[892-18-020-10-001101](#) [58102-G61-06LF](#) [582553-1](#) [0009485154](#) [009176003701906](#) [0050291907](#) [LY20-4P-DT1-P1E-BR](#) [02.125.8002.8](#)
[609-3404](#) [61062-3](#) [61082-181009](#) [622-3653LF](#) [63453-116](#) [636-1030](#) [636-1427](#) [636-3427](#) [636-4007](#) [641938-9](#) [641991-4](#) [644827-2](#) [65817-010LF](#) [65817-015LF](#) [65863-015LF](#) [66207-023LF](#) [67095-007LF](#) [67601157](#) [68645-018](#) [68648-049](#) [70.362.1628.0](#) [70-4210](#) [70-4226B](#) [70-4853B](#) [707-5020](#) [707-5028](#) [71.350.2428.0](#) [71918-208LF](#) [71961-016LF](#) [733-134](#) [733-162](#) [754199-000](#) [760-3052](#) [787-8014-00](#) [79531-3000](#)
[FCN-360C032-B](#) [FCN-367T-T012/H](#) [FCN-723D010/2](#) [80.063.4001.1](#) [800-90-001-10-001000](#) [800-90-010-10-002000](#) [801-43-002-10-013000](#)