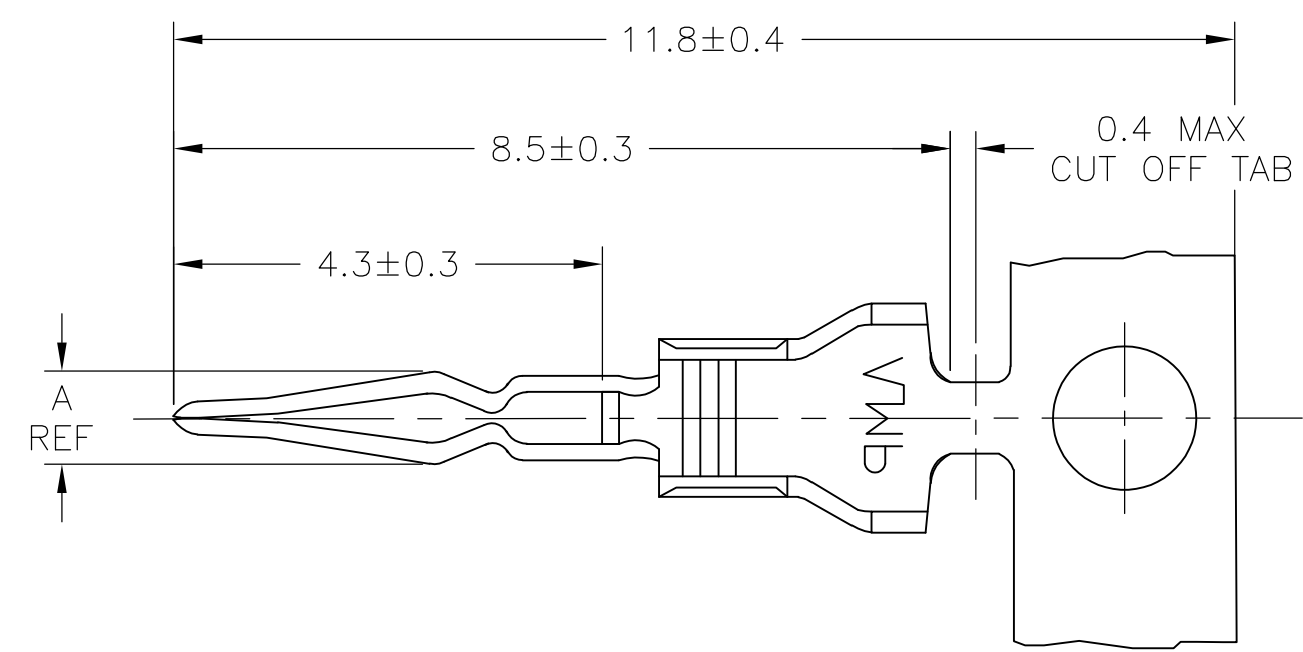


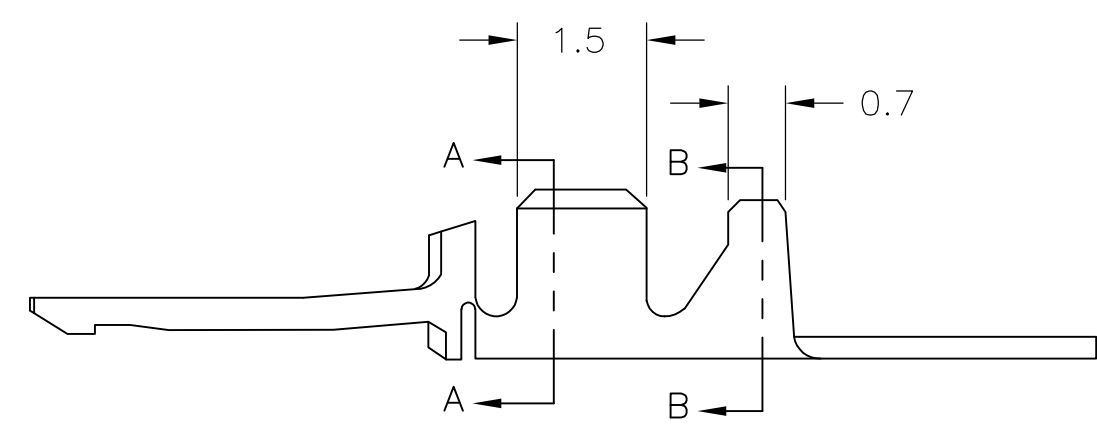
THIS DRAWING IS UNPUBLISHED. RELEASED FOR PUBLICATION  
 © COPYRIGHT - By - ALL RIGHTS RESERVED.

| REVISIONS |     |                           |         |     |      |
|-----------|-----|---------------------------|---------|-----|------|
| P         | LTR | DESCRIPTION               | DATE    | DWN | APVD |
|           | G3  | REVISED PER ECR-16-005334 | 19APR16 | RS  | EW   |

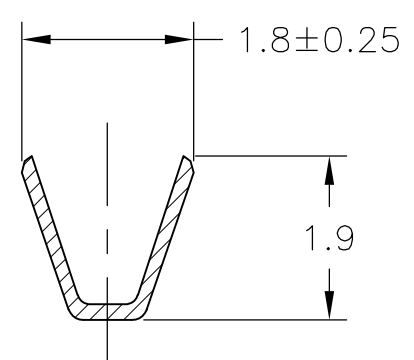


- 1 APPLICABLE HDR HSG: 172520(2.5 PITCH)  
172890(2.0 PITCH)
- 2 PRODUCT SPEC: 108-5163
- 3 CRIMPING SPEC: 114-5062  
COMMON APPLICATOR FOR 2.5mm PITCH  
HDR HSG: P/N 755765-□  
EXCLUSIVE APPLICATOR FOR 25mm PITCH  
HDR HSG: P/N 752830-□

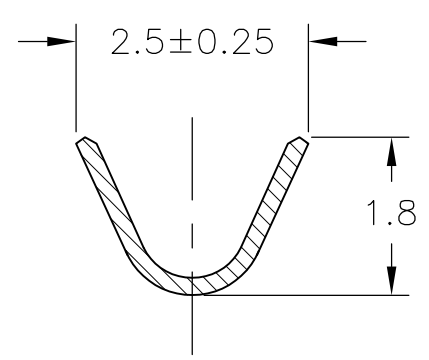
△ 4 TOLERANCES: UNLESS OTHERWISE SHOWN,  
 DIM <10 mm ±0.20; DIM 10-20 mm ±0.25,  
 ANGLES ±3 DEGREES



|                        |   |   |  |                       |          |
|------------------------|---|---|--|-----------------------|----------|
| 0.95                   | ∅0.8±0.1, 1.2~1.6                             | -   | POST-TINNED PHOS-BRO, 0.2t                     | 172782-9              |          |
| 0.95                   | ∅0.8±0.1, 1.2~1.6                             | -   | POST-TINNED, HIGH HEAT RESISTANCE COPPER ALLOY | 1-172782-2            |          |
| 1.2                    | ∅1 <sup>+0.05</sup> <sub>-0.1</sub> , 1.2~1.6 | -   | POST-TINNED BRASS 0.2t                         | 172782-7              |          |
| 0.95                   | ∅0.8±0.1, 1.2~1.6                             | -   | POST-TINNED BRASS 0.2t                         | 172782-5              |          |
| SUPERSEDED BY 172782-7 | 1.2   | ∅1 <sup>+0.05</sup> <sub>-0.1</sub> , 1.2~1.6 | 172798-2                                       | PRE-TINNED BRASS 0.2t | 172782-2 |
| SUPERSEDED BY 172782-5 | 0.95  | ∅0.8±0.1, 1.2~1.6                             | 172798-1                                       | PRE-TINNED BRASS 0.2t | 172782-1 |
| "A" REF                | APPLICABLE PCB HOLE AND THK                   | LOOSE PIECE CONTACT P/N                       | MATERIAL                                       | PART NO.              |          |



SEC A-A



SEC B-B

SUPERSEDED BY 172782-7  
 SUPERSEDED BY 172782-5

|  |        |                                |  |           |              |
|--|--------|--------------------------------|--|-----------|--------------|
| THIS DRAWING IS A CONTROLLED DOCUMENT.                 |        | DWN 14JAN2016<br>BASVESH WARAD | TE Connectivity<br>LOW PROFILE MINI AMP IN CONTACT |           |              |
| DIMENSIONS: mm [in]                                    |        | CHK 14JAN2016<br>JACONO, GENE  |  |           |              |
| TOLERANCES UNLESS OTHERWISE SPECIFIED:                 |        | APVD 14JAN2016<br>JACONO, GENE | NAME   |           |              |
| WIRE RANGE<br>0.14-0.40 mm <sup>2</sup><br>[22-26] AWG |        | PRODUCT SPEC                   | -  |           |              |
| INSULATION DIA<br>1.4-1.5                              |        | APPLICATION SPEC               | -  |           |              |
| MATERIAL<br>SEE TABLE                                  | FINISH | WEIGHT                         | SIZE   | CAGE CODE | DRAWING NO   |
|  |        | 0                              | A3   | 00779     | C-172782     |
| CUSTOMER DRAWING                                       |        |                                | RESTRICTED TO                                      | SCALE 1:1 | SHEET 1 OF 1 |
|  |        |                                |  | REV G3    |              |

## X-ON Electronics

Largest Supplier of Electrical and Electronic Components

*Click to view similar products for [Headers & Wire Housings](#) category:*

*Click to view products by [TE Connectivity](#) manufacturer:*

Other Similar products are found below :

[892-18-020-10-001101](#) [58102-G61-06LF](#) [582553-1](#) [0009485154](#) [009176003701906](#) [0050291907](#) [LY20-4P-DT1-P1E-BR](#) [02.125.8002.8](#)  
[609-3404](#) [61062-3](#) [61082-181009](#) [622-3653LF](#) [63453-116](#) [636-1030](#) [636-1427](#) [636-3427](#) [636-4007](#) [641938-9](#) [641991-4](#) [644827-2](#) [65817-](#)  
[010LF](#) [65817-015LF](#) [65863-015LF](#) [66207-023LF](#) [67095-007LF](#) [67601157](#) [68645-018](#) [68648-049](#) [70.362.1628.0](#) [70-4210](#) [70-4226B](#) [70-](#)  
[4853B](#) [707-5020](#) [707-5028](#) [71.350.2428.0](#) [71918-208LF](#) [71961-016LF](#) [733-134](#) [733-162](#) [754199-000](#) [760-3052](#) [79531-3000](#) [FCN-](#)  
[360C032-B](#) [FCN-367T-T012/H](#) [FCN-723D010/2](#) [80.063.4001.1](#) [800-90-010-10-002000](#) [801-43-002-10-013000](#) [801-43-006-10-002000](#)  
[801-93-011-10-001000](#)