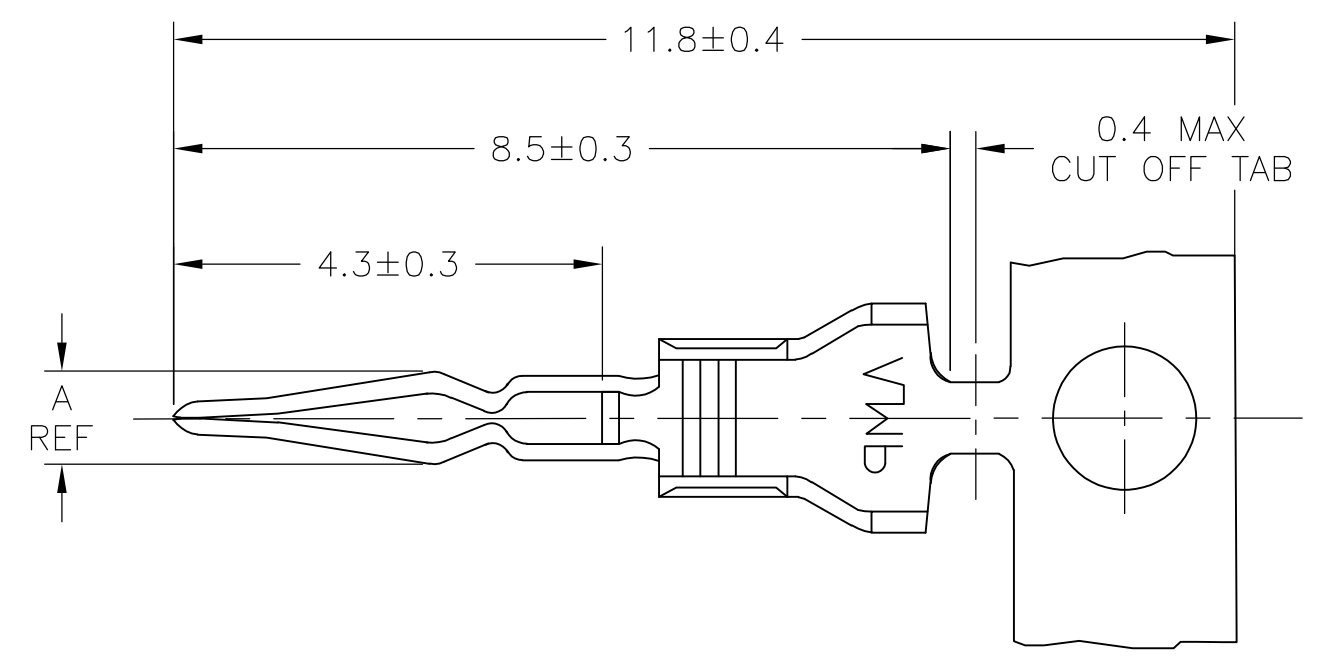


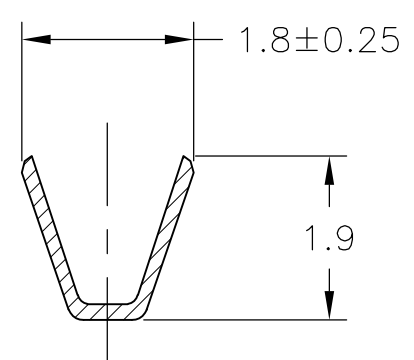
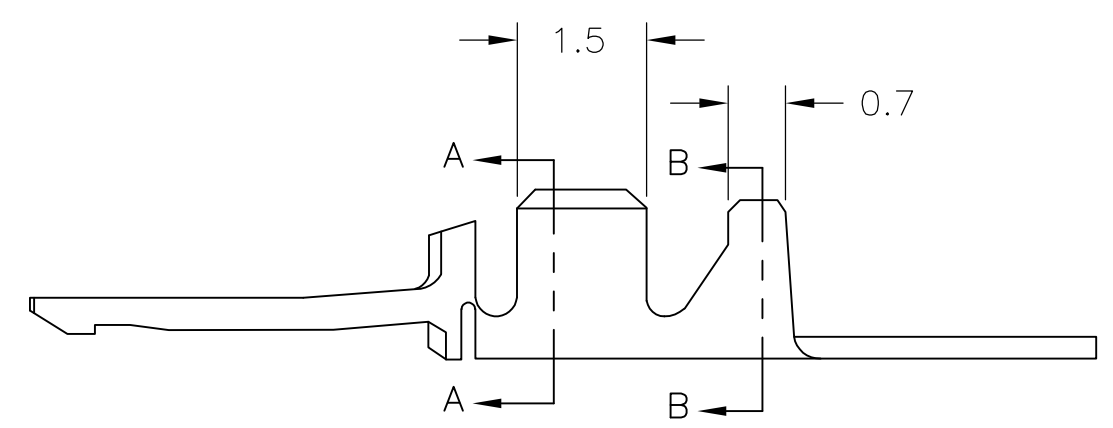
THIS DRAWING IS UNPUBLISHED. RELEASED FOR PUBLICATION  
 © COPYRIGHT - By - ALL RIGHTS RESERVED.

REVISIONS				
P	LTR	DESCRIPTION	DATE	APVD
	G3	REVISED PER ECR-16-005334	19APR16	RS EW

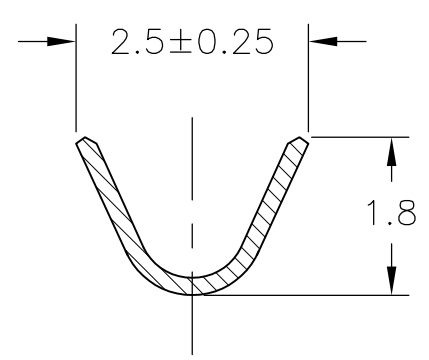


- 1 APPLICABLE HDR HSG: 172520(2.5 PITCH)  
172890(2.0 PITCH)
- 2 PRODUCT SPEC: 108-5163
- 3 CRIMPING SPEC: 114-5062  
COMMON APPLICATOR FOR 2.5mm PITCH  
HDR HSG: P/N 755765-□  
EXCLUSIVE APPLICATOR FOR 25mm PITCH  
HDR HSG: P/N 752830-□

△ 4 TOLERANCES: UNLESS OTHERWISE SHOWN,  
 DIM <10 mm ±0.20; DIM 10-20 mm ±0.25,  
 ANGLES ±3 DEGREES



SEC A-A



SEC B-B

	0.95	∅0.8±0.1, 1.2~1.6	-	POST-TINNED PHOS-BRO, 0.2t	172782-9
	0.95	∅0.8±0.1, 1.2~1.6	-	POST-TINNED, HIGH HEAT RESISTANCE COPPER ALLOY	1-172782-2
	1.2	∅1 <sup>+0.05</sup> <sub>-0.1</sub> , 1.2~1.6	-	POST-TINNED BRASS 0.2t	172782-7
	0.95	∅0.8±0.1, 1.2~1.6	-	POST-TINNED BRASS 0.2t	172782-5
SUPERSEDED BY 172782-7	1.2	∅1 <sup>+0.05</sup> <sub>-0.1</sub> , 1.2~1.6	172798-2	PRE-TINNED BRASS 0.2t	172782-2
SUPERSEDED BY 172782-5	0.95	∅0.8±0.1, 1.2~1.6	172798-1		172782-1
"A" REF		APPLICABLE PCB HOLE AND THK	LOOSE PIECE CONTACT P/N	MATERIAL	PART NO.

THIS DRAWING IS A CONTROLLED DOCUMENT.		DWN 14JAN2016 BASVESH WARAD	TE Connectivity LOW PROFILE MINI AMP IN CONTACT		
DIMENSIONS: mm [in]		CHK 14JAN2016 JACONO, GENE			
TOLERANCES UNLESS OTHERWISE SPECIFIED:		APVD 14JAN2016 JACONO, GENE	NAME		
WIRE RANGE 0.14-0.40 mm <sup>2</sup> [22-26] AWG		PRODUCT SPEC	-		
INSULATION DIA 1.4-1.5		APPLICATION SPEC	-		
MATERIAL SEE TABLE	FINISH	WEIGHT 0	SIZE A3	CAGE CODE 00779	DRAWING NO C-172782
CUSTOMER DRAWING			RESTRICTED TO	SCALE 1:1	SHEET 1 OF 1
			REV G3		

## X-ON Electronics

Largest Supplier of Electrical and Electronic Components

*Click to view similar products for [Headers & Wire Housings](#) category:*

*Click to view products by [TE Connectivity](#) manufacturer:*

Other Similar products are found below :

[892-18-020-10-001101](#) [58102-G61-06LF](#) [582553-1](#) [0009485154](#) [009176003701906](#) [0050291907](#) [LY20-4P-DT1-P1E-BR](#) [02.125.8002.8](#)  
[609-3404](#) [61062-3](#) [61082-181009](#) [622-3653LF](#) [63453-116](#) [636-1030](#) [636-1427](#) [636-3427](#) [636-4007](#) [641938-9](#) [641991-4](#) [644827-2](#) [65817-](#)  
[010LF](#) [65817-015LF](#) [65863-015LF](#) [66207-023LF](#) [67095-007LF](#) [67601157](#) [68645-018](#) [68648-049](#) [70.362.1628.0](#) [70-4210](#) [70-4226B](#) [70-](#)  
[4853B](#) [707-5020](#) [707-5028](#) [71.350.2428.0](#) [71918-208LF](#) [71961-016LF](#) [733-134](#) [733-162](#) [754199-000](#) [760-3052](#) [787-8014-00](#) [79531-3000](#)  
[FCN-360C032-B](#) [FCN-367T-T012/H](#) [FCN-723D010/2](#) [80.063.4001.1](#) [800-90-001-10-001000](#) [800-90-010-10-002000](#) [801-43-002-10-013000](#)