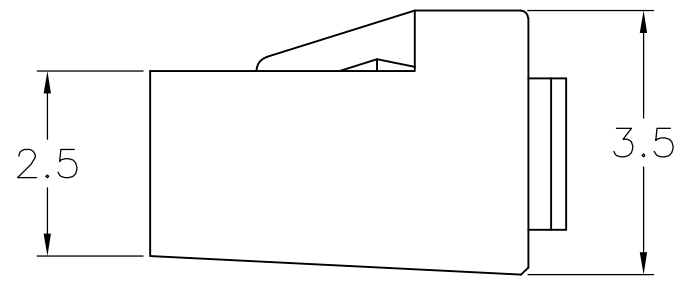
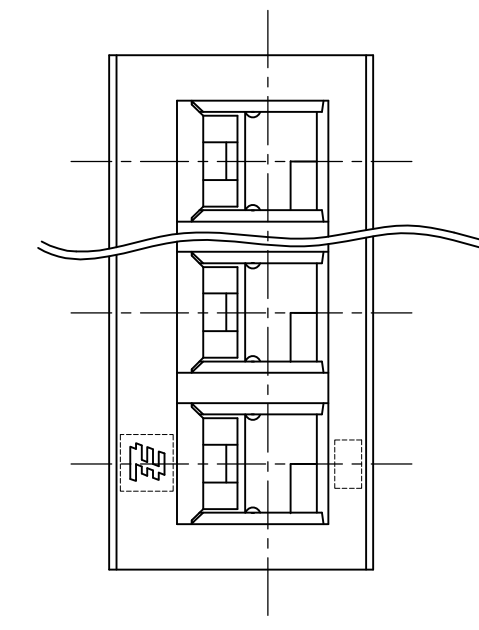
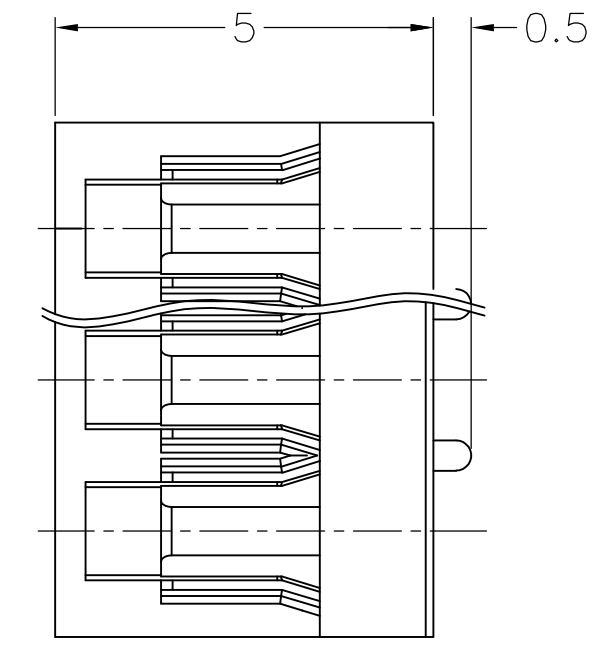
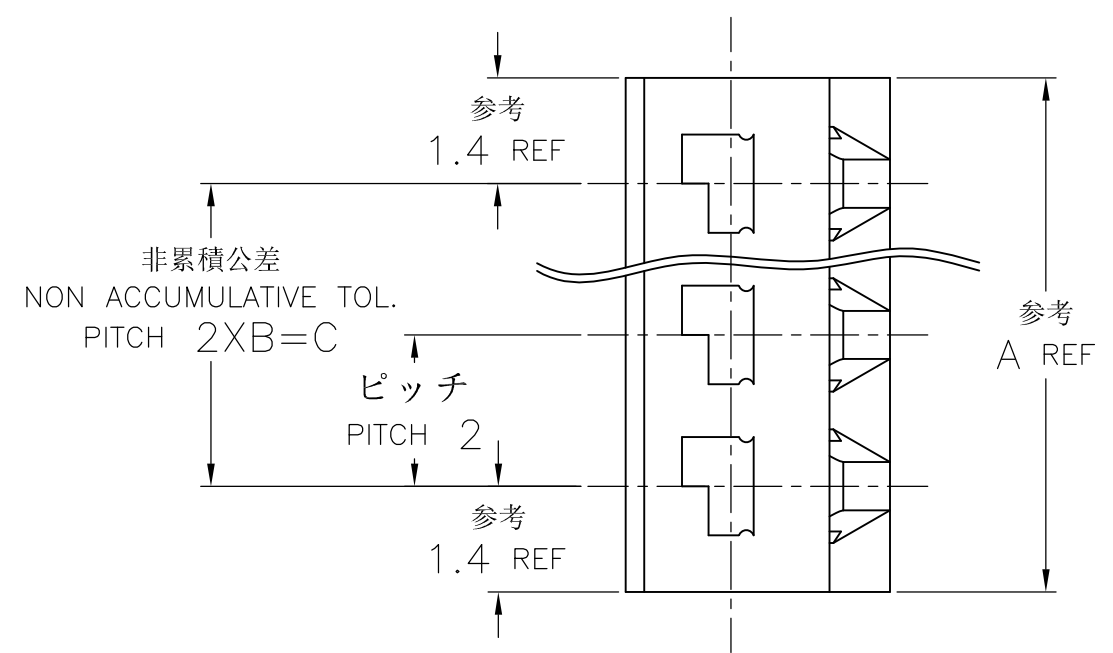


THIS DRAWING IS UNPUBLISHED. RELEASED FOR PUBLICATION
 © COPYRIGHT - By - ALL RIGHTS RESERVED.

LOC	DIST	REVISIONS					
J	-	P	LTR	DESCRIPTION	DATE	DWN	APVD
				D1 REVISED PER ECR-15-012855	19OCT2015	NK	GJ




1 使用端子型番：172781,172782

2 一般公差：±0.4

1 APPLICABLE CONTACT: 172781,172782

2 GENERAL TOLERANCE: ±0.4

OBSOLETE	-15	30.8	12	24			1-	-5
	12	24.8	11	22			1-	-2
OBSOLETE	-10	20.8	9	18			1-	-0
OBSOLETE	-9	18.8	8	16				-9
	8	16.8	7	14				-8
	7	14.8	6	12				-7
	6	12.8	5	10				-6
	5	10.8	4	8				-5
	4	8.8	3	6				-4
	3	6.8	2	4				-3
	2	4.8	1	2	NATURAL (自然色)			172890-2
極数	寸法			色調	型番			
POS	A	B	C	COLOR	P/N			
	DIMENSION							

THIS DRAWING IS A CONTROLLED DOCUMENT.		DWN	J.SATO	15NOV2007	 TE Connectivity											
DIMENSIONS: 単位： 耗 mm		CHK	S.MANABE	15NOV2007												
TOLERANCES UNLESS OTHERWISE SPECIFIED: 一般公差		APVD	S.MANABE	15NOV2007												
<table border="1"> <tr> <td>0 PLC</td> <td>±</td> </tr> <tr> <td>1 PLC</td> <td>±</td> </tr> <tr> <td>2 PLC</td> <td>±</td> </tr> <tr> <td>3 PLC</td> <td>±</td> </tr> <tr> <td>4 PLC</td> <td>±</td> </tr> <tr> <td>ANGLES</td> <td>±</td> </tr> </table>		0 PLC	±	1 PLC		±	2 PLC	±	3 PLC	±	4 PLC	±	ANGLES	±	NAME	名称
0 PLC	±															
1 PLC	±															
2 PLC	±															
3 PLC	±															
4 PLC	±															
ANGLES	±															
MATERIAL 材料 66ナイロン (UL94V-0) 66NYLON (UL94V-0)		FINISH 仕上	PRODUCT SPEC 製品規格 108-5163		HEATER HOUSING LOW PROFILE MINI AMP-IN, 2MM PITCH											
FINISH 仕上		APPLICATION SPEC 取付適用規格 114-5062		SIZE A3	CAGE CODE 00779											
CUSTOMER DRAWING		WEIGHT		DRAWING NO 番号 C-172890	RESTRICTED TO 番号 -											
		SCALE 尺度 10:1		SHEET 1 OF 1	REV D1											

X-ON Electronics

Largest Supplier of Electrical and Electronic Components

Click to view similar products for [Headers & Wire Housings](#) category:

Click to view products by [TE Connectivity](#) manufacturer:

Other Similar products are found below :

[892-18-020-10-001101](#) [58102-G61-06LF](#) [582553-1](#) [0009485154](#) [009176003701906](#) [0050291907](#) [LY20-4P-DT1-P1E-BR](#) [02.125.8002.8](#)
[609-3404](#) [61062-3](#) [61082-181009](#) [622-3653LF](#) [63453-116](#) [636-1030](#) [636-1427](#) [636-3427](#) [636-4007](#) [641938-9](#) [641991-4](#) [644827-2](#) [65817-010LF](#) [65817-015LF](#) [65863-015LF](#) [66207-023LF](#) [67095-007LF](#) [67601157](#) [68645-018](#) [68648-049](#) [70.362.1628.0](#) [70-4210](#) [70-4226B](#) [70-4853B](#) [707-5020](#) [707-5028](#) [71.350.2428.0](#) [71918-208LF](#) [71961-016LF](#) [733-134](#) [733-162](#) [754199-000](#) [760-3052](#) [787-8014-00](#) [79531-3000](#)
[FCN-360C032-B](#) [FCN-367T-T012/H](#) [FCN-723D010/2](#) [80.063.4001.1](#) [800-90-001-10-001000](#) [800-90-010-10-002000](#) [801-43-002-10-013000](#)