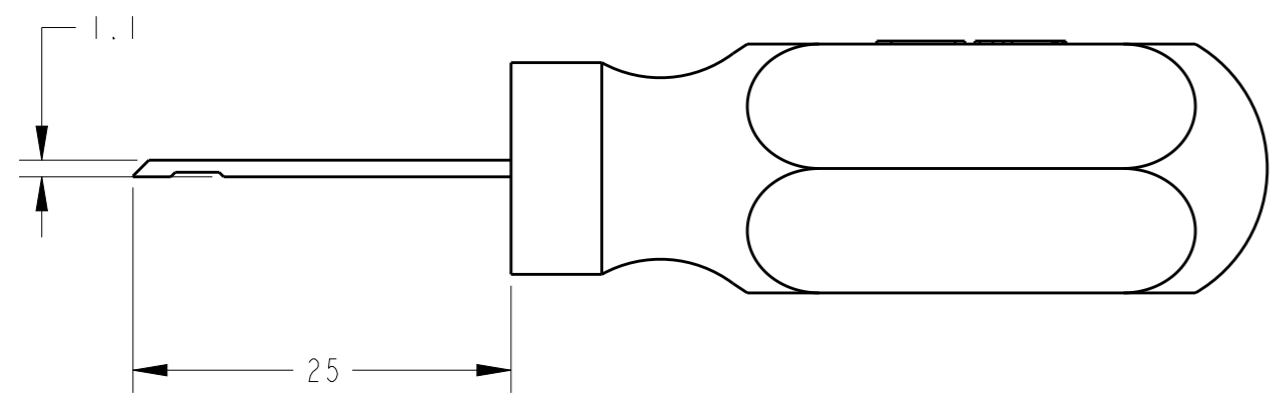
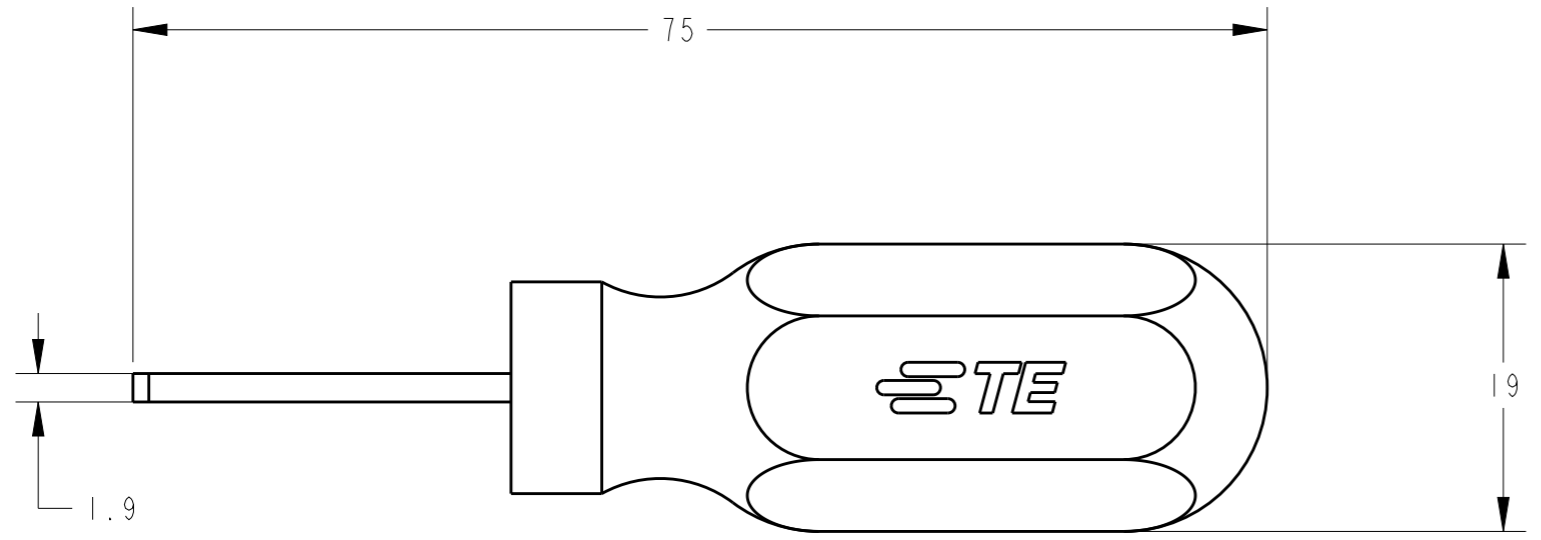


THIS DRAWING IS UNPUBLISHED. RELEASED FOR PUBLICATION 20
 © COPYRIGHT 20 BY TYCO ELECTRONICS CORPORATION. ALL RIGHTS RESERVED.

LOC	DIST	REVISIONS					
J	-	P	LTR	DESCRIPTION	DATE	DWN	APVD
			O	RELEASED FJC0-0193-04	13-Jul-04	J.K	S.Y
			A	ECR-15-002973	25FEB2015	JK	JK

-1: AS SHOWN (本図)



- 1 APPLICABLE PRODUCTS 通用製品
 - TERMINAL (STRIP) : 1717148-1
 - : 1318329-1
 - : 1612776-1
 - : 1318332-1
 - : 1612775-1
 - PLUG HOUSING : 1717138-4
 - : 1717138-5
 - : 1717138-6
- 2 INSTRUCTION SHEET NO: 411-78158
取扱説明書番号

<small>THIS DRAWING IS A CONTROLLED DOCUMENT FOR TYCO ELECTRONICS CORPORATION IT IS SUBJECT TO CHANGE AND THE CONTROLLING ENGINEERING ORGANIZATION SHOULD BE CONTACTED FOR THE LATEST REVISION.</small>		DWN J. KOGA 13-Jul-04 CHK J. KOGA 13-Jul-04 APVD S. YABE 13-Jul-04		TE Connectivity Kawasaki, Japan
DIMENSIONS: mm 		TOLERANCES UNLESS OTHERWISE SPECIFIED: 0 PLC ±- 1 PLC ±- 2 PLC ±- 3 PLC ±- 4 PLC ±- ANGLES ±-		
MATERIAL		FINISH		PRODUCT SPEC - APPLICATION SPEC - WEIGHT -
		Customer Drawing		SIZE A3 CAGE CODE 00779 DRAWING NO G-1729919 RESTRICTED TO - SCALE 2:1 SHEET 1 OF 1 REV A

X-ON Electronics

Largest Supplier of Electrical and Electronic Components

Click to view similar products for [Extraction, Removal & Insertion Tools](#) category:

Click to view products by [TE Connectivity](#) manufacturer:

Other Similar products are found below :

[M8196914-08](#) [768211-2](#) [809-131](#) [844751-2](#) [8-59558-2](#) [91018-1](#) [12014013](#) [12093647](#) [1-21048-0](#) [R282867020](#) [12093078](#) [1-21048-6](#)
[12121897](#) [DCF.91.405.5LT](#) [1322](#) [15314260](#) [15313892](#) [15350698](#) [15350707](#) [15430130](#) [1579018-4](#) [1643916-1](#) [1-679532-0](#) [1976593-3](#)
[OUTEXT-0321](#) [2-1579008-3](#) [2-1579008-4](#) [229694-7](#) [231106-1](#) [241469](#) [91040-3](#) [91040-7](#) [965004-000](#) [965069-000](#) [1738219-1](#) [ET-JL05-16](#)
[FG 0300 146 3000](#) [FIT-6](#) [210S048](#) [2-1579007-9](#) [231879-1](#) [312138-3](#) [RJ11FODE](#) [356-162](#) [M8196914-10](#) [4-1579018-0](#) [430395-001](#) [483249-](#)
[1](#) [5-1579007-2](#) [5-1579007-9](#)