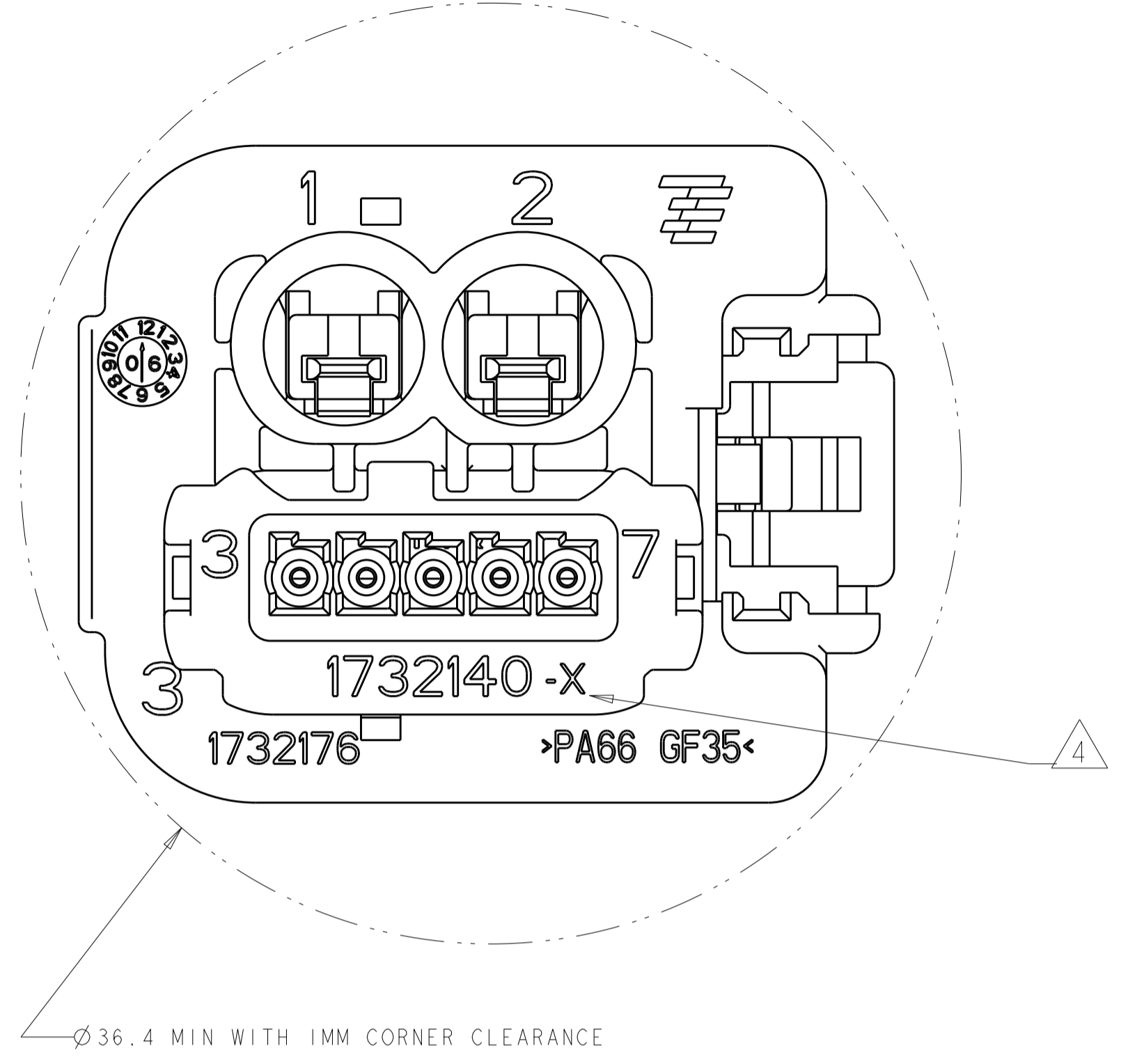
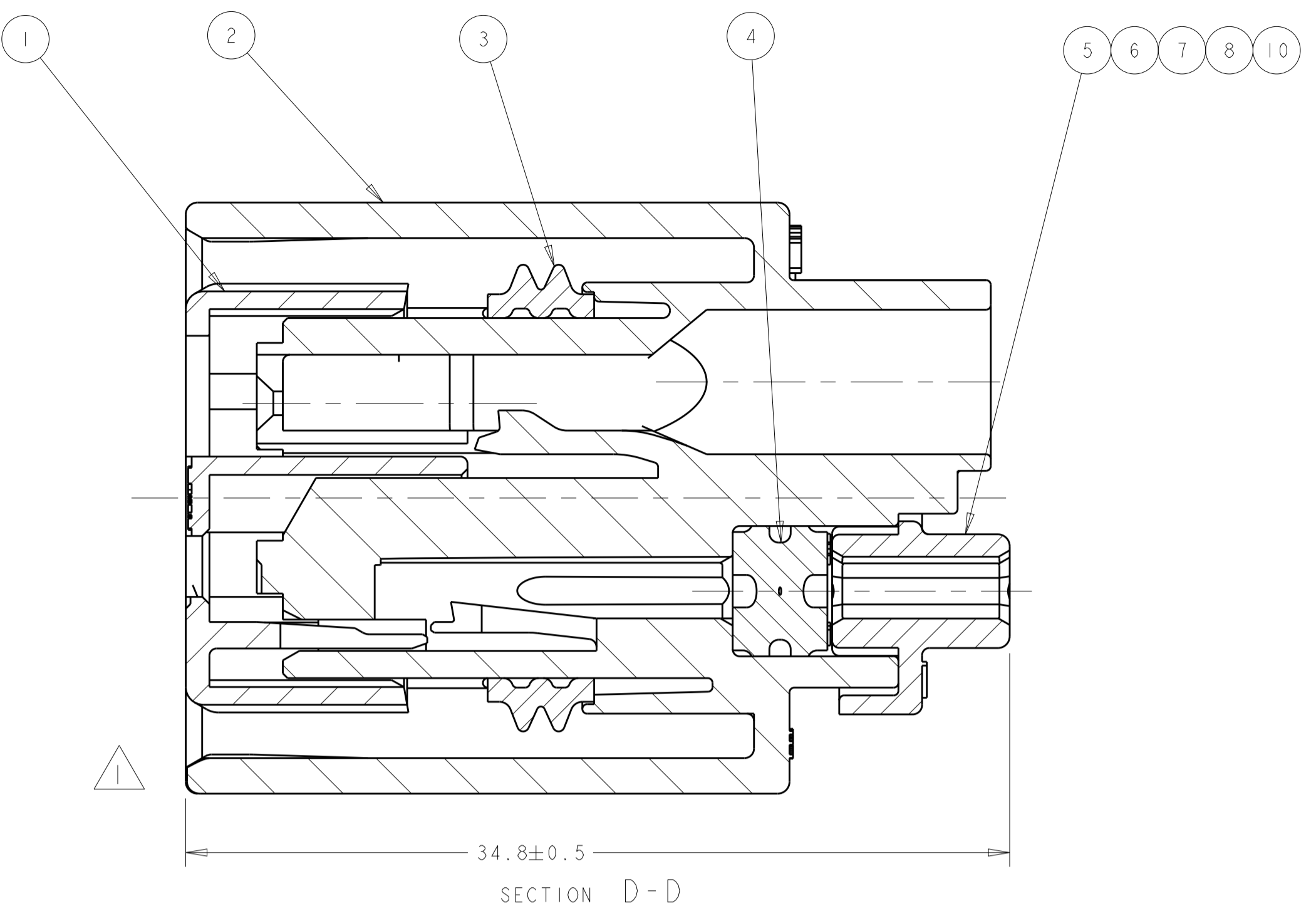
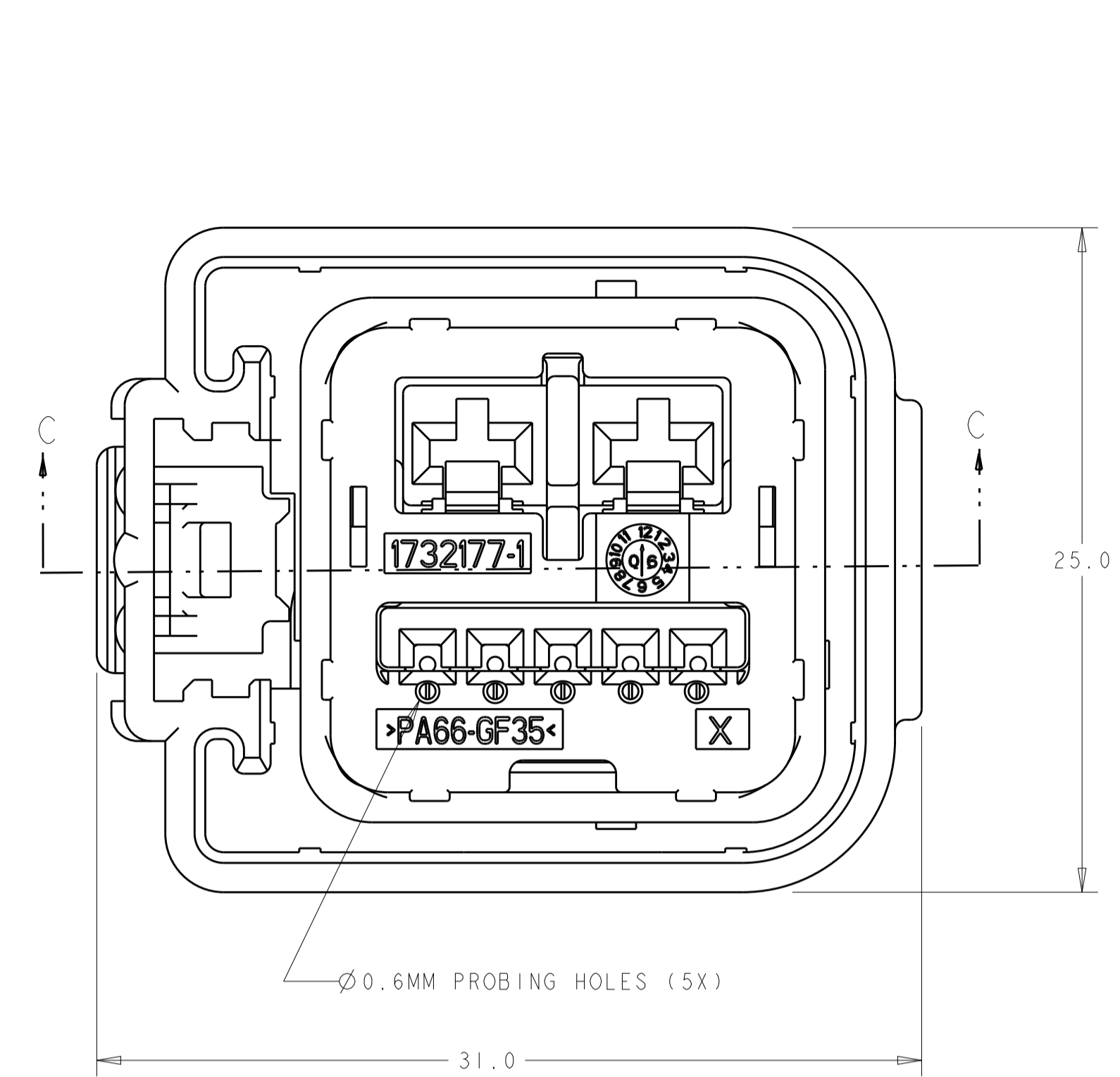
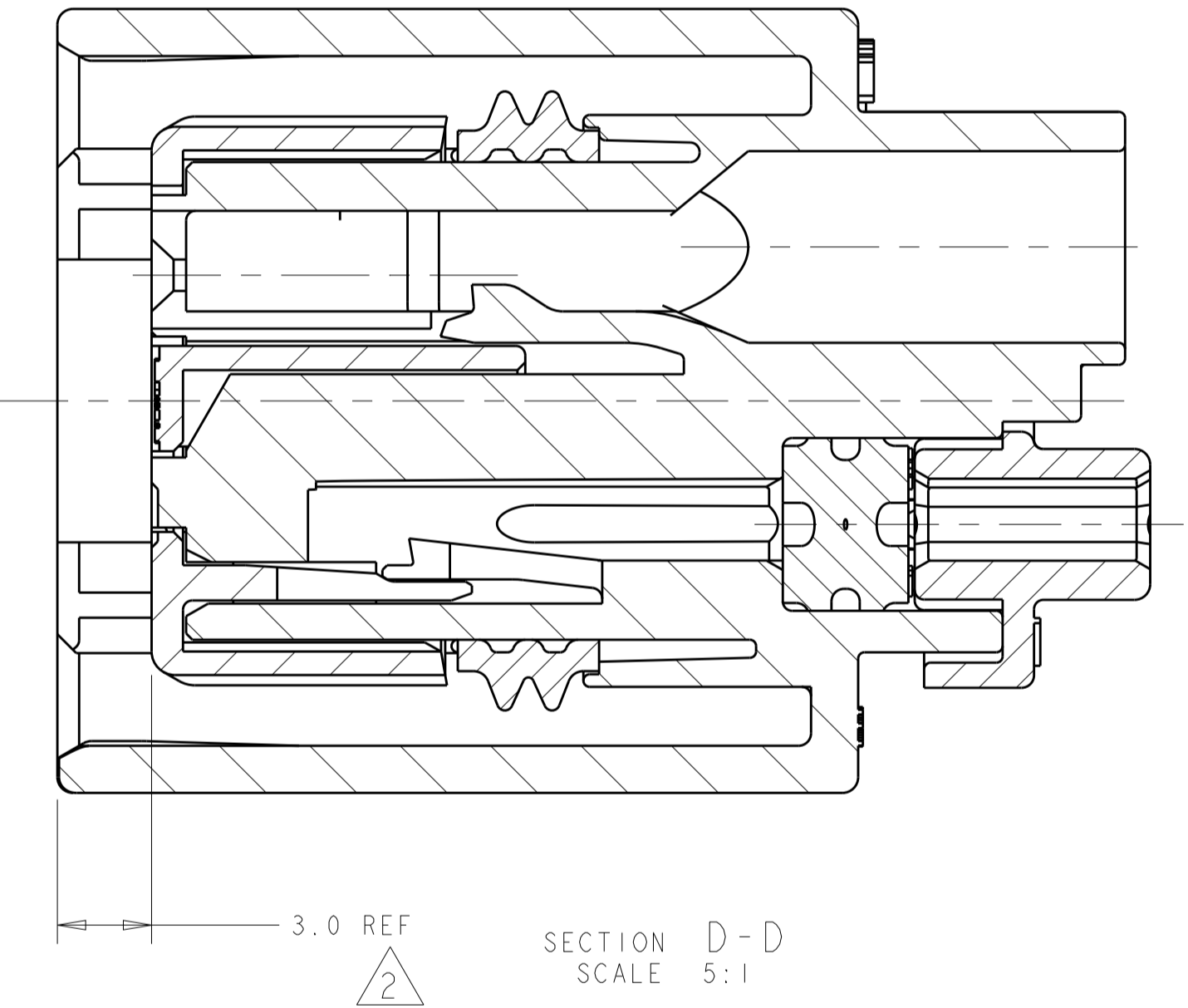


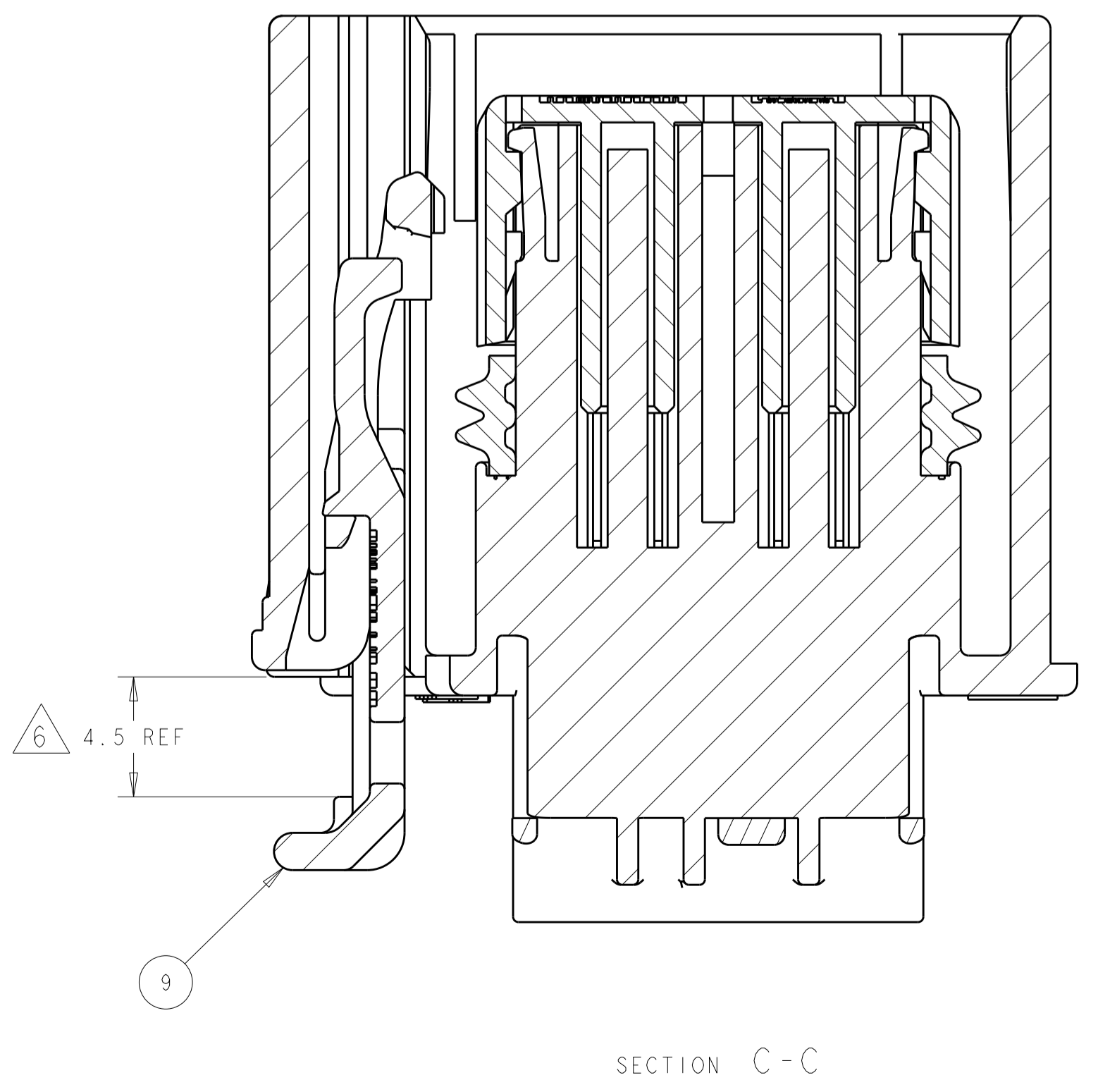
REVISIONS				
P.	LTM	DESCRIPTION	DATE	APP'D
B6		REVISED PER ECO-15-015696	01DEC2015	DD CS
B7		REVISED PER ECO-16-018424	21DEC2016	DD CS



- 1. CONDITION AS SUPPLIED: TPA IN PRE-LOCKED POSITION
- 2. TPA IN LOCKED POSITION AS SHOWN. TRAVEL DISTANCE 3 REF.
- 3. MATES WITH USCAR INTERFACE 999-S-007-2-A01.
- 4. MARKING ON COVER.
- 5. APPLICABLE INSTRUCTION SHEET: 408-10106.
- 6. OPTIONAL CPA IN PRE-LOCKED POSITION.



1	2	3	4	5	6	7	TE PN	MARKING ON COVER
			X				I-1732175-4	1732140-5
					X		I-1732175-2	1732140-3
					X		1732175-5	1732140-6
			X				1732175-4	1732140-5
			X	X			1732175-3	1732140-4
					X		1732175-2	1732140-3
							1732175-1	1732140-2
CAVITY NUMBERED X - INDICATES PLUGGED HOLE							TE PN	MARKING ON COVER
BLANK CAVITY INDICATES OPEN HOLE								4



APPLICABLE COMPONENTS (REF)				WIRE SIZE AWG (OR METRIC EQUIVALENT)	MATERIAL
DESCRIPTION	COLOR/PLATING	SUPPLIER	TE PN		
TERMINAL 064	TIN	TE	2035334-1	20-22	C5111 CuSn4
TERMINAL 064	TIN	TE	2035334-2	18	C5111 CuSn4
TERMINAL 2.8	TIN	TE	1326032-2	20	C64760
TERMINAL 2.8	TIN	TE	1326032-3	18	C64760
TERMINAL 2.8	TIN	TE	1326032-4	16	C64760
TERMINAL 2.8	TIN	TE	1326032-5	14	C64760
TERMINAL 2.8	TIN	TE	1326032-6	12	C64760
CABLE SEAL 2.8	GREEN	YAZAKI	7158-3111-60	1.2-1.9 mm (WIRE O.D.)	
CABLE SEAL 2.8	YELLOW	YAZAKI	7158-3112-70	1.8-2.3 mm (WIRE O.D.)	
CABLE SEAL 2.8	WHITE	YAZAKI	7158-3113-40	2.1-3.0 mm (WIRE O.D.)	
CABLE SEAL 2.8	LT GRAY	YAZAKI	7158-3110-40	3.1-3.3 mm (WIRE O.D.)	

1	2	3	4	5	6	7	DESCRIPTION	MATERIAL	COLOUR	ITEM NO.
-	-	1	-	-	-	-	COVER-6	>PA66-GF15<	BLACK	10
1	1	-	-	-	-	-	CPA	>PA66-GF15<	RED	9
1	-	-	1	-	-	-	COVER-5	>PA66-GF35<	BLACK	8
-	-	-	-	1	-	-	COVER-4	>PA66-GF35<	BLACK	7
-	1	-	-	-	1	-	COVER-3	>PA66-GF35<	BLACK	6
-	-	-	-	-	-	1	COVER-2	>PA66-GF35<	BLACK	5
1	1	1	1	1	1	1	GROMMET	SILICONE RUBBER	ORANGE	4
1	1	1	1	1	1	1	SEAL	SILICONE RUBBER	BLUE	3
1	1	1	1	1	1	1	HOUSING	>PA66-GF35<	BLACK	2
1	1	1	1	1	1	1	TPA	>PA66-GF35<	RED	1
1--4	1--2	-5	-4	-3	-2	-1	DESCRIPTION	MATERIAL	COLOUR	ITEM NO.

QTY PER ASSY

THIS DRAWING IS A CONTROLLED DOCUMENT.

APPROVED: J. HUANG 18MAY2006
 CHECKED: J. DAWIDZIUK 18MAY2006
 DRAWN: G. GOTO 18MAY2006

TE Connectivity

ASSEMBLY, 2X5 SEALED, CONNECTOR

SCALE: 5:1 SHEET 1 OF 1 REV B7

X-ON Electronics

Largest Supplier of Electrical and Electronic Components

Click to view similar products for [Automotive Connectors](#) category:

Click to view products by [TE Connectivity](#) manufacturer:

Other Similar products are found below :

[003-018-000](#) [60403001](#) [60993906-B](#) [M902-2131](#) [M902-2161](#) [M902-2344](#) [72.330.1035.1](#) [73.353.4028.0](#) [F119300-B](#) [F166900](#) [F258300-B](#)
[F358300-B](#) [F407400](#) [F444110](#) [F487000](#) [F509500B-B](#) [827153-1](#) [8N1515-32-24P](#) [9-1326729-8](#) [925474-1](#) [928905-1](#) [964562-4](#) [968782-1](#)
[GT17SA-8DS-HU](#) [98891-1012](#) [98947-1016](#) [12004147](#) [12004475-L](#) [12010290](#) [12010309-B](#) [12015454](#) [12020219-B](#) [12041318-B](#) [12052225-](#)
[L](#) [12052466](#) [12064869](#) [12004327-B](#) [12015308](#) [12015384](#) [12015909](#) [1-21030-1](#) [12041254](#) [12041318](#) [12047946-B](#) [12047957](#) [12047957-L](#)
[12059473](#) [12066261](#) [12110546](#) [12110546-B](#)