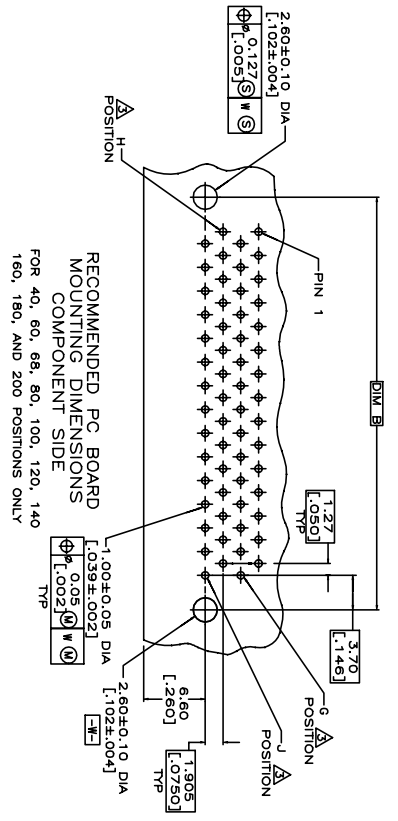
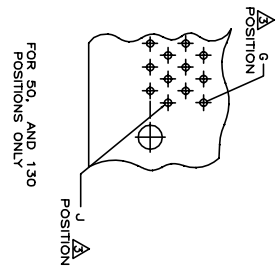


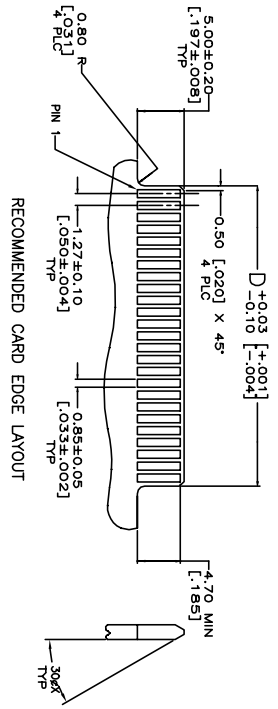
REVISIONS				
P	LTR	DESCRIPTION	DATE	APVD
-	-	SEE SHEET 1	-	-



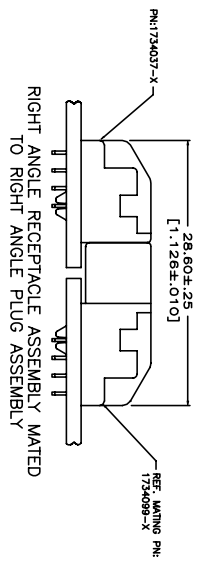
RECOMMENDED PC BOARD MOUNTING DIMENSIONS COMPONENT SIDE FOR 40, 60, 68, 80, 100, 120, 140, 160, 180, AND 200 POSITIONS ONLY



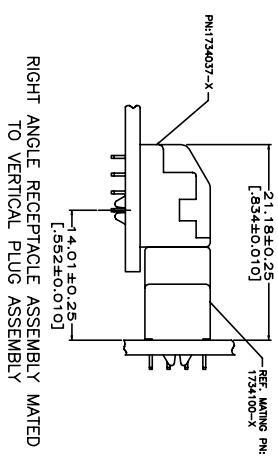
FOR 50, AND 130 POSITIONS ONLY



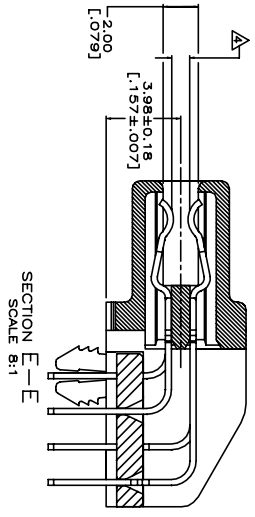
RECOMMENDED CARD EDGE LAYOUT



RIGHT ANGLE RECEPTACLE ASSEMBLY MATED TO RIGHT ANGLE PLUG ASSEMBLY



RIGHT ANGLE RECEPTACLE ASSEMBLY MATED TO VERTICAL PLUG ASSEMBLY



SECTION E-E SCALE 8:1

THIS DRAWING IS A CONTROLLED DOCUMENT.

DIMENSIONS:	TOLERANCES UNLESS OTHERWISE SPECIFIED:
mm	
0 P/C	±
1 P/C	±
2 P/C	±
3 P/C	±
4 P/C	±
ANGLES	±
FINISH	±

APVD	CHK	DMN
PRODUCT SPEC		
APPLICATION SPEC		
WEIGHT		

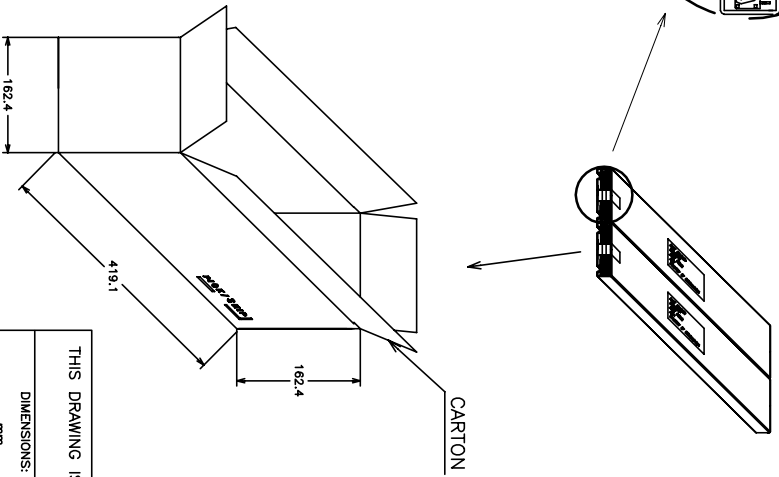
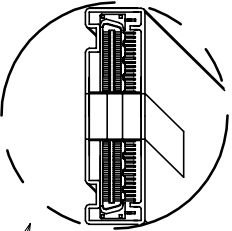
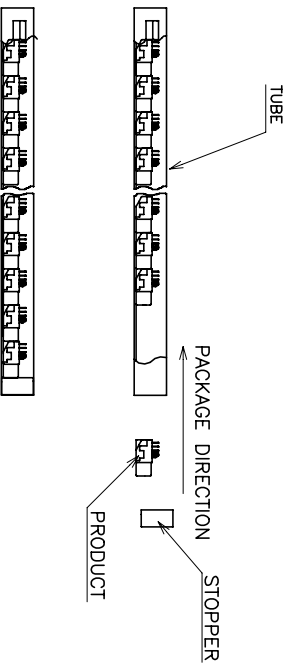
STE TE Connectivity Ltd.

RECEPTACLE ASSEMBLY, R/A, BTB, CHAMP.050, SERIES I

SIZE A3
CAGE CODE 00779
DRAWING NO. 1734037

CUSTOMER DRAWING	SCALE	SHEET	REV
		2 of 4	G2

REVISIONS				
P	LTR	DESCRIPTION	DATE	APVD
-	-	SEE SHEET 1	-	-



POS.	QTY/ TUBE	TUBE/ BOX	QTY/ BOX	N/W (KG)	G/W (KG)	PART NUMBER
						6-1734037-2
						4-1734037-2
						2-1734037-2
						1734037-2
						5-1734037-0
						3-1734037-0
						1-1734037-0
						4-1734037-1
						2-1734037-1
						1734037-1

Ⓢ OBSOLETE

THIS DRAWING IS A CONTROLLED DOCUMENT.

DIMENSIONS:	TOLERANCES UNLESS OTHERWISE SPECIFIED:
mm	
0 P/C	±
1 P/C	±
2 P/C	±
3 P/C	±
4 P/C	±
ANGLES	±



DRAWN	CHK	APVD	PRODUCT SPEC	APPLICATION SPEC.	WEIGHT
-	-	-	-	-	-

MATERIAL

FINISH

CUSTOMER DRAWING

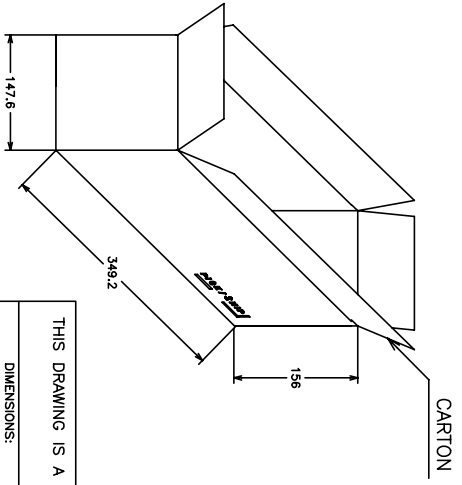
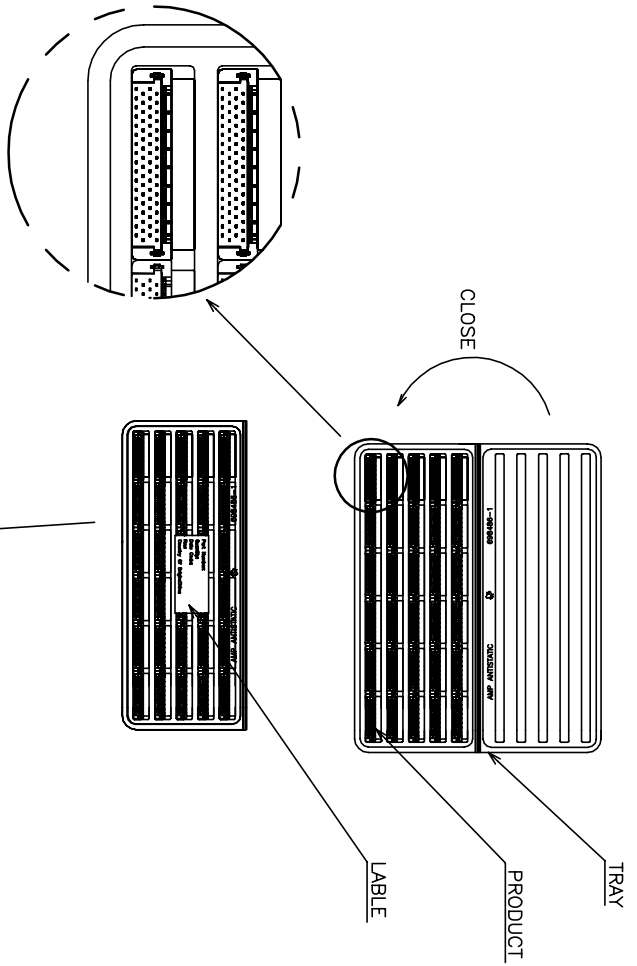
STE TE Connectivity Ltd.

RECEPTACLE ASSEMBLY, R/A,
BTB, CHAMP.050, SERIES I

SIZE A3
CAGE CODE 00779
DRAWING NO. 1734037

SCALE - SHEET 3 OF 4 REV G2

REVISIONS					
P	LTR	DESCRIPTION	DATE	DMN	APVD
-	-	SEE SHEET 1	-	-	-



CARTON

QTY/ TRAY	TRAY/ BOX	QTY/ BOX	N/W (KG)	G/W (KG)	PART NUMBER	
40	45	10	450	1.55	2.45	5-1734037-4
160	10	10	100	1.33	2.28	5-1734037-6
						3-1734037-6
						1-1734037-6
						5-1734037-4
						3-1734037-4
						1-1734037-4
						2-1734037-0
						1-1734037-8
						1-1734037-2
						5-1734037-1
						3-1734037-1
						1-1734037-1
						4-1734037-7
						2-1734037-7
						1734037-7
						4-1734037-6
						2-1734037-6
						1734037-6
						4-1734037-5
						2-1734037-5
						1734037-5
						4-1734037-4
						2-1734037-4
						1734037-4

THIS DRAWING IS A CONTROLLED DOCUMENT.

DIMENSIONS:	TOLERANCES UNLESS OTHERWISE SPECIFIED:
mm	mm
0 P/C	±
1 P/C	±
2 P/C	±
3 P/C	±
4 P/C	±
ANGLES	±
FINISH	±

DMN	-
CHK	-
APVD	-
PRODUCT SPEC	-
APPLICATION SPEC	-
WEIGHT	-
CUSTOMER DRAWING	-

NAME	RECEPTACLE ASSEMBLY, R/A, BTB, CHAMP.050, SERIES I	
SIZE	A3	00779
QAGE CODE	1734037	
DRAWING NO	1734037	
RESTRICTED	G2	
SCALE	-	SHEET 4 of 4
REV	G2	

TE TE Connectivity Ltd.

X-ON Electronics

Largest Supplier of Electrical and Electronic Components

Click to view similar products for [Board to Board & Mezzanine Connectors](#) category:

Click to view products by [TE Connectivity](#) manufacturer:

Other Similar products are found below :

[589158040000018](#) [MDF7C-18P-2.54DSA\(55\)](#) [FCN-230C068-11](#) [FCN-268F012-G/BD](#) [FCN-268F036-G/BD](#) [FCN-268M012-G/0D](#) [FCN-268M024-G/1D](#) [FCN-723J004/1](#) [MIS-048-01-F-D-DP-K](#) [832-10-034-10-001000](#) [FX4C-80S-1.27DSA](#) [FCN-214Q030-G/0](#) [FCN-234P048-G/0](#) [FCN-235D050-G/C](#) [210-93-314-41-105000](#) [2-22603-0](#) [MDF7-40DP-2.54DSA\(55\)](#) [AXG720047](#) [5031084030](#) [MIT-114-03-F-D-K](#) [55323-1519](#) [DF33-2P-3.3DSA\(24\)](#) [YFT-20-05-H-03-SB-K](#) [503308-3040](#) [026-6203-PDB](#) [027-6203-PDB](#) [069159702701000](#) [10123981-102LF](#) [101A10019X](#) [55650-0588-C](#) [68682-310LF](#) [68684-306](#) [75140-7012](#) [87471-650](#) [194261-1](#) [FCN-268F024-G0D](#) [10124054-515LF](#) [68685-603](#) [8-1616154-3](#) [MIS-019-01-F-D](#) [541371078](#) [IL-WX-10PB-HF-B-E1000E](#) [FCN-268M024-G/3D](#) [20021832-06016C1LF](#) [KX15-20KLDL-E1000E](#) [MDF7-16DP-2.54DSA\(55\)](#) [AXE810124](#) [FCN-214J100-G/0](#) [FCN-230C068-E/S](#) [AXE812124](#)