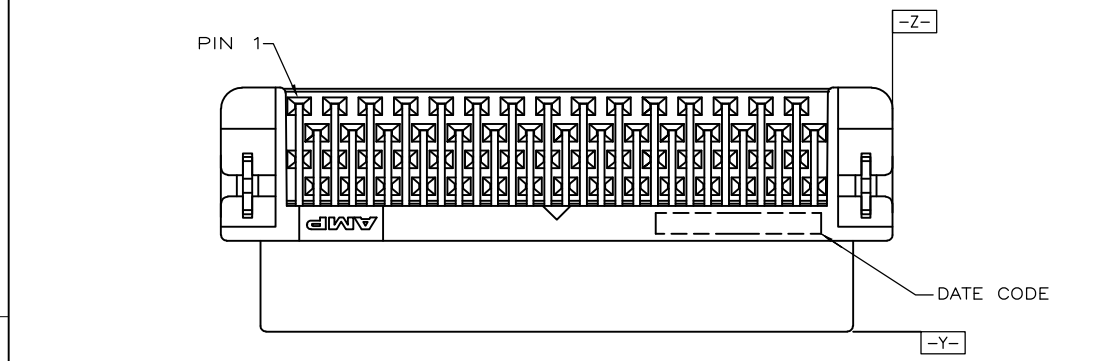


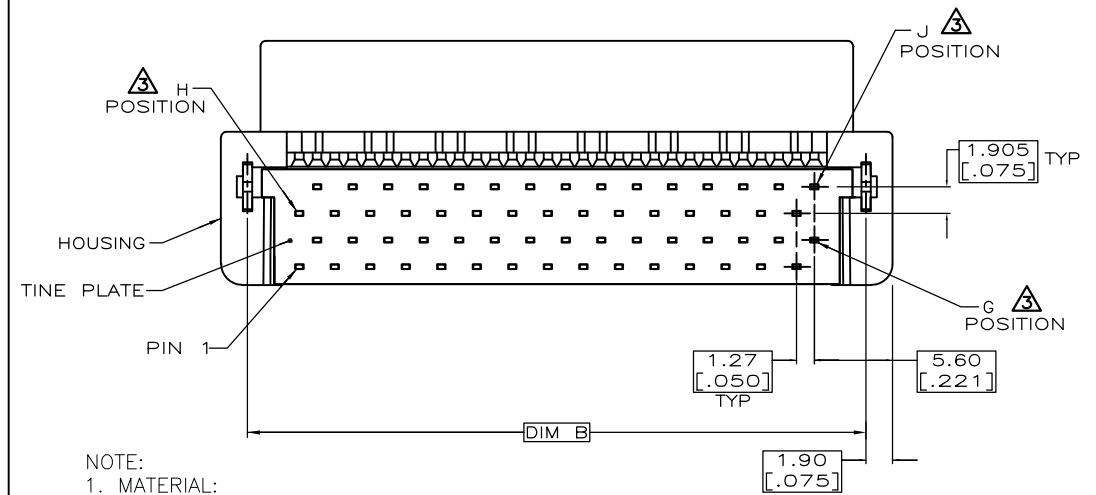
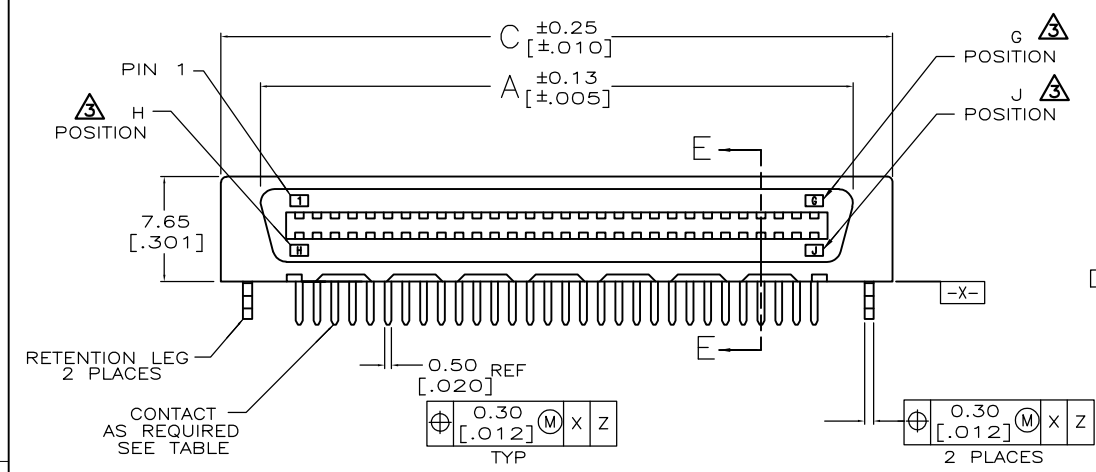
THIS DRAWING IS UNPUBLISHED. RELEASED FOR PUBLICATION
 © COPYRIGHT - By - ALL RIGHTS RESERVED.

LOC	DIST	REVISIONS			
P	LTR	DESCRIPTION	DATE	DWN	APVD
DW	/	G1	REVISED PER ECR-12-013026	08APR13	K.M E.T

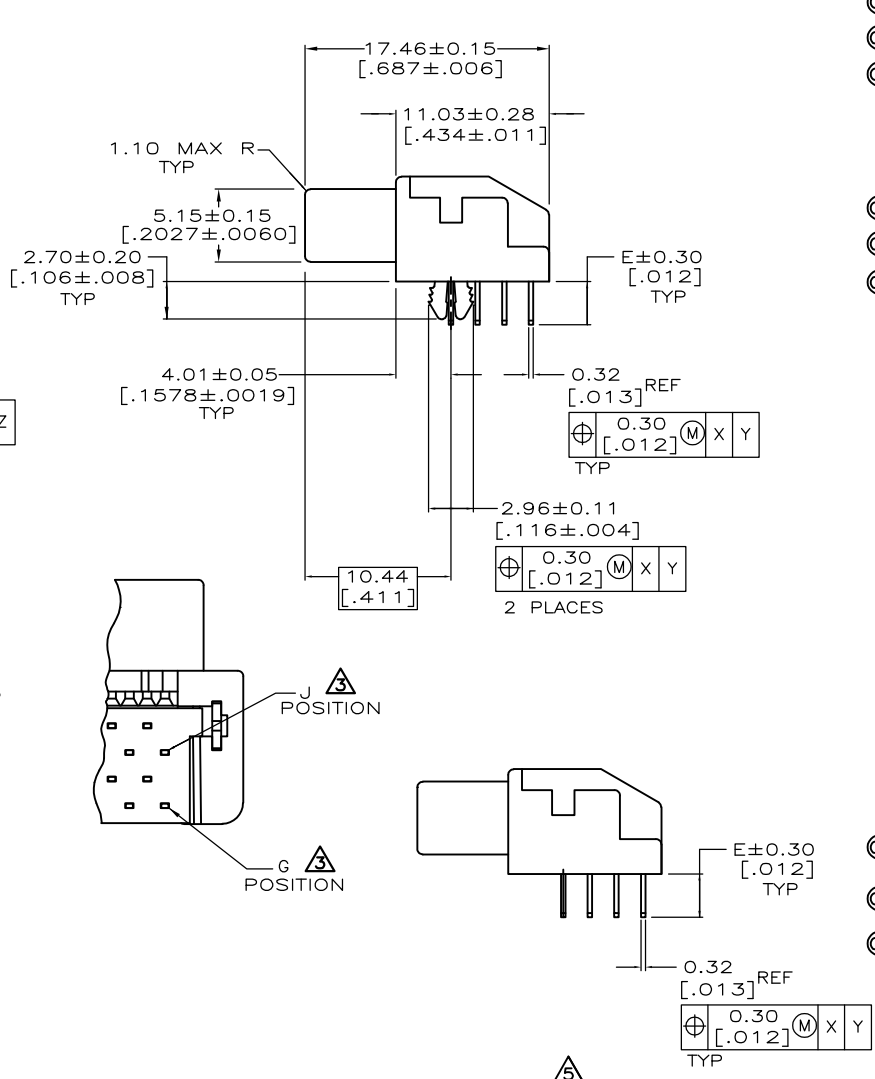


FOR 40,60,68,80,100,120,
140,160,180,200 POSITIONS ONLY

FOR 50, AND 130
POSITIONS ONLY



- NOTE:
 1. MATERIAL:
 HOUSING: LIQUID CRYSTAL POLYMER (LCP), UL 94V-0, BLACK COLOR.
 CONTACTS: PHOSPHOR BRONZE.
 BOARDLOCKS: BRASS.
 2. FINISH:
 CONTACTS: (SEE TABLE) GOLD PLATED ON CONTACT AREA,
 3.81µm [150µ"] MIN. MATTE-TIN ON SOLDER TAIL, OVER
 1.27mm [50m"] MIN. NICKEL UNDERPLATED.
 BOARDLOCKS: 3.81µm [150µ"] MIN. TIN-Cu OVER
 1.27mm [50m"] MIN. UNDERPLATED.
 G, J, AND H INDICATES NUMBER OF POSITION MARKED ON ASSEMBLY.
 ALSO SEE TABLE.
 CONNECTOR SOLDER TAILS WILL ACCOMMODATE PRINTED CIRCUIT BOARD
 THICKNESS OF 0.80 TO 1.60 [.031 TO .063].
 BOARDLOCKS NOT PRESENT.
 6. WAVE SOLDER CAPABLE TO 265°C PER TEST SPEC.
 109-202, CONDITION B.
 GOLD FLASH OVER
 0.762µm [30µ"] MIN. PALLADIUM-NICKEL PLATED.
 OBSOLETE



WITHOUT RETENTION LEG

NOTES	E	D	C	B	A	G	J	H	GOLD PLATED	PART NUMBER	POS.
	3.10 [.122]	102.03 [4.017]	111.53 [4.391]	107.73 [4.242]	105.87 [4.168]	80	160	81	GOLD FLASH	5-1734037-6	160
									0.381µm [15u"]	3-1734037-6	
										1-1734037-6	
	3.10 [.122]	89.33 [3.517]	98.83 [3.891]	95.03 [3.742]	93.17 [3.668]	70	140	71	GOLD FLASH	5-1734037-4	140
									0.381µm [15u"]	3-1734037-4	
										1-1734037-4	
	3.10 [.122]	76.63 [3.017]	86.13 [3.391]	82.33 [3.242]	80.47 [3.168]	60	120	61	GOLD FLASH	2-1734037-0	120
									0.381µm [15u"]	1-1734037-8	
										1-1734037-2	
	3.10 [.122]	63.93 [2.517]	73.43 [2.891]	69.63 [2.742]	67.77 [2.668]	50	100	51	GOLD FLASH	5-1734037-1	100
									0.381µm [15u"]	3-1734037-1	
										1-1734037-1	
	3.10 [.122]	63.93 [2.517]	73.43 [2.891]	69.63 [2.742]	67.77 [2.668]	50	100	51	GOLD FLASH	5-1734037-0	100
									0.381µm [15u"]	3-1734037-0	
										1-1734037-0	
	3.10 [.122]	43.61 [1.717]	53.11 [2.091]	49.31 [1.941]	47.45 [1.868]	34	68	35	GOLD FLASH	4-1734037-7	68
									0.381µm [15u"]	2-1734037-7	
										1734037-7	
	3.10 [.122]	-	48.03 [1.891]	44.23 [1.742]	42.37 [1.668]	30	60	31	GOLD FLASH	4-1734037-6	60
									0.381µm [15u"]	2-1734037-6	
										1734037-6	
	3.10 [.122]	32.18 [1.267]	41.68 [1.641]	37.88 [1.492]	36.02 [1.418]	25	50	26	GOLD FLASH	4-1734037-5	50
									0.381µm [15u"]	2-1734037-5	
										1734037-5	
	3.10 [.122]	25.83 [1.017]	35.33 [1.391]	31.53 [1.242]	29.67 [1.168]	20	40	21	GOLD FLASH	4-1734037-4	40
									0.381µm [15u"]	2-1734037-4	
										1734037-4	
	2.40 [.094]	51.23 [2.017]	60.73 [2.391]	56.93 [2.242]	55.07 [2.168]	40	80	41	GOLD FLASH	6-1734037-2	80
									0.381µm [15u"]	4-1734037-2	
										1734037-2	
	2.40 [.094]	51.23 [2.017]	60.73 [2.391]	56.93 [2.242]	55.07 [2.168]	40	80	41	GOLD FLASH	4-1734037-2	80
									0.381µm [15u"]	2-1734037-2	
										1734037-2	
	3.10 [.122]	51.23 [2.017]	60.73 [2.391]	56.93 [2.242]	55.07 [2.168]	40	80	41	GOLD FLASH	4-1734037-1	80
									0.381µm [15u"]	2-1734037-1	
										1734037-1	

THIS DRAWING IS A CONTROLLED DOCUMENT.

DIMENSIONS:	TOLERANCES UNLESS OTHERWISE SPECIFIED:
mm	0 PLC ± -
	1 PLC ± 0.3
	2 PLC ± 0.2
	3 PLC ± -
	4 PLC ± -
	ANGLES ± 3'
MATERIAL	FINISH
SEE NOTE	SEE NOTE

DWN	F. YANG	31MAR2009
CHK	S. CHIEN	31MAR2009
APVD	W. KODAMA	31MAR2009
PRODUCT SPEC	NAME	
108-57876	RECEPTACLE ASSEMBLY, R/A, BTB, CHAMP.050, SERIES I	
APPLICATION SPEC	SIZE	CAGE CODE
WEIGHT	DRAWING NO	
	A300779 C-1734037	
CUSTOMER DRAWING	SCALE	SHEET
		1 OF 4
	REV	G1

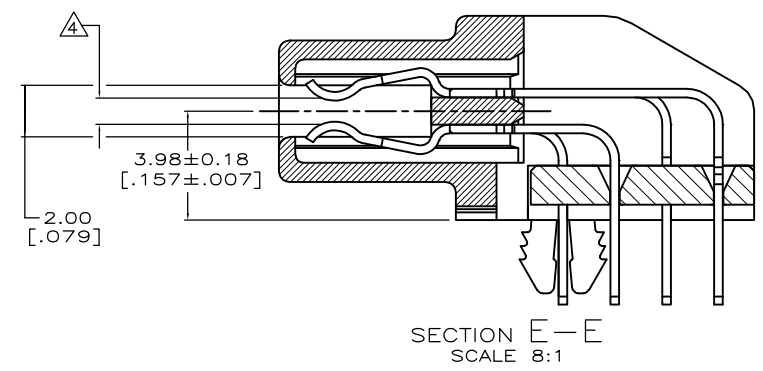
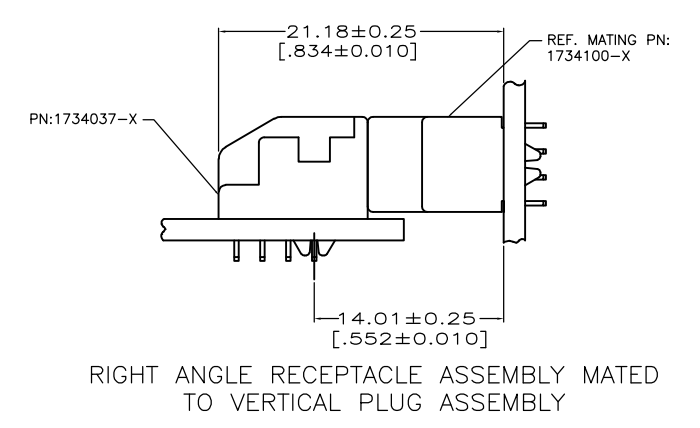
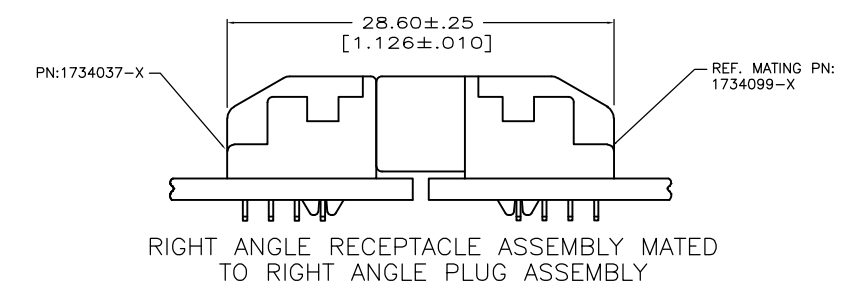
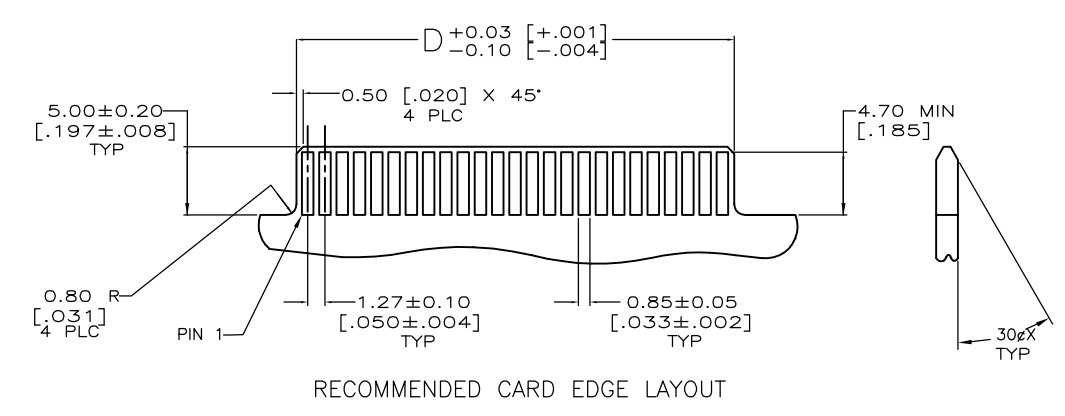
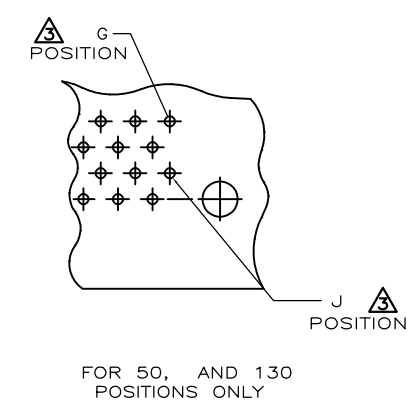
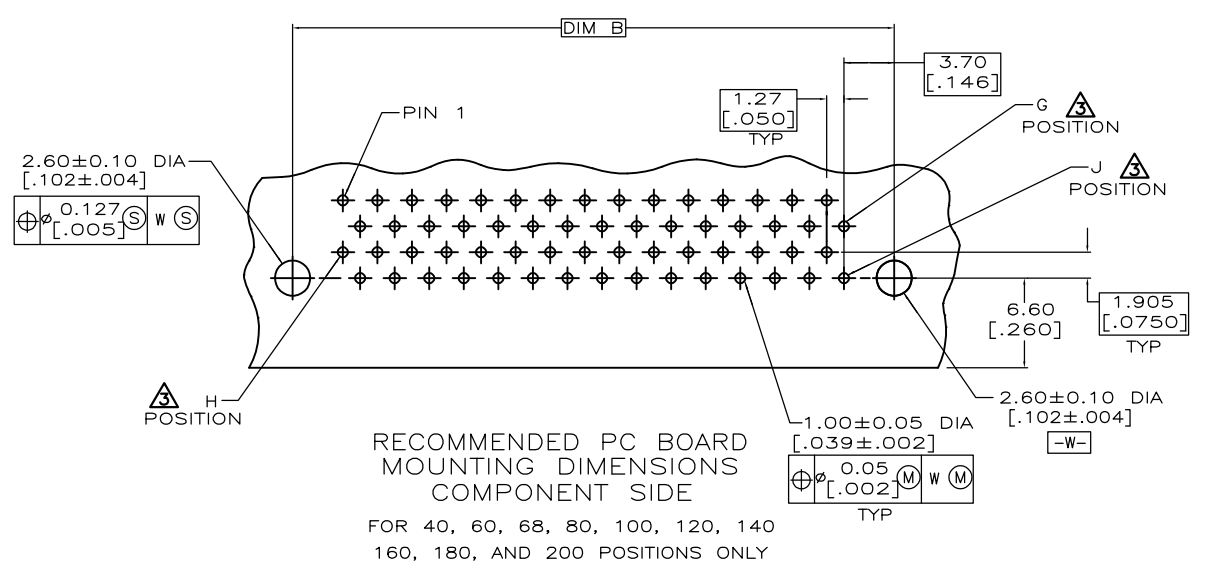
STE TE Connectivity

RECEPTACLE ASSEMBLY, R/A,
BTB, CHAMP.050, SERIES I

RESTRICTED TO

THIS DRAWING IS UNPUBLISHED. RELEASED FOR PUBLICATION
 © COPYRIGHT - By - ALL RIGHTS RESERVED.

LOC	DIST	REVISIONS					
		P	LTR	DESCRIPTION	DATE	DWN	APVD
DW	/	-	-	SEE SHEET 1	-	-	-



THIS DRAWING IS A CONTROLLED DOCUMENT.		DWN	TE Connectivity			
DIMENSIONS: mm		CHK				NAME
TOLERANCES UNLESS OTHERWISE SPECIFIED:		APVD	RECEPTACLE ASSEMBLY, R/A, BTB, CHAMP.050, SERIES I			
0 PLC	± -	PRODUCT SPEC	SIZE	CAGE CODE	DRAWING NO	RESTRICTED TO
1 PLC	± -	APPLICATION SPEC	A3	00779	C-1734037	-
2 PLC	± -	WEIGHT	CUSTOMER DRAWING			SCALE
3 PLC	± -					SHEET
4 PLC	± -					2 OF 4
ANGLES	± -					REV
FINISH	± -					G1

THIS DRAWING IS UNPUBLISHED.

RELEASED FOR PUBLICATION

LOC

DIST

REVISIONS

© COPYRIGHT - By -

ALL RIGHTS RESERVED.

DW

P

LTR

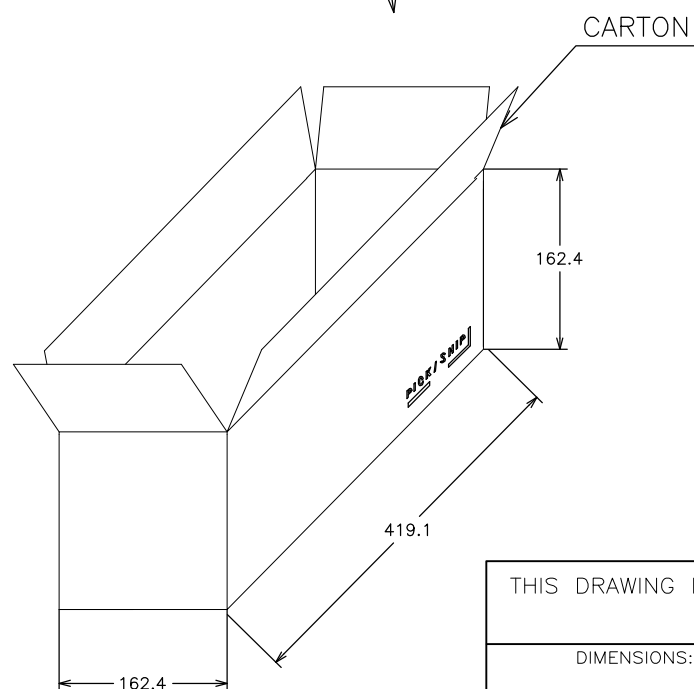
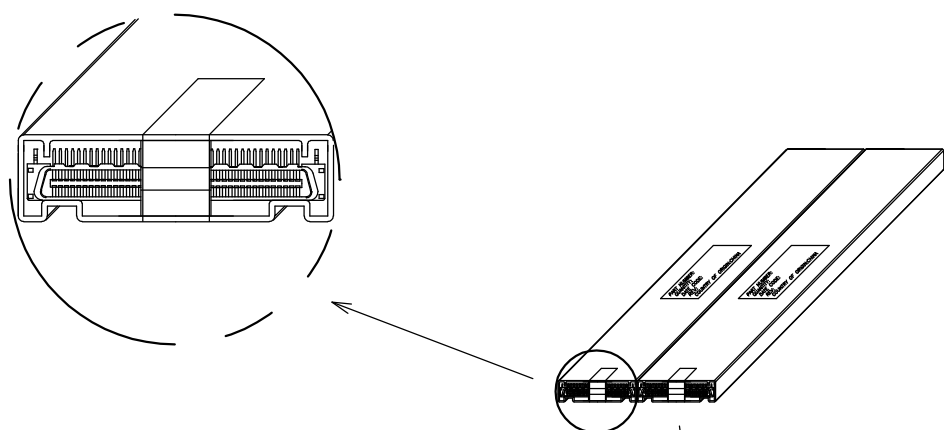
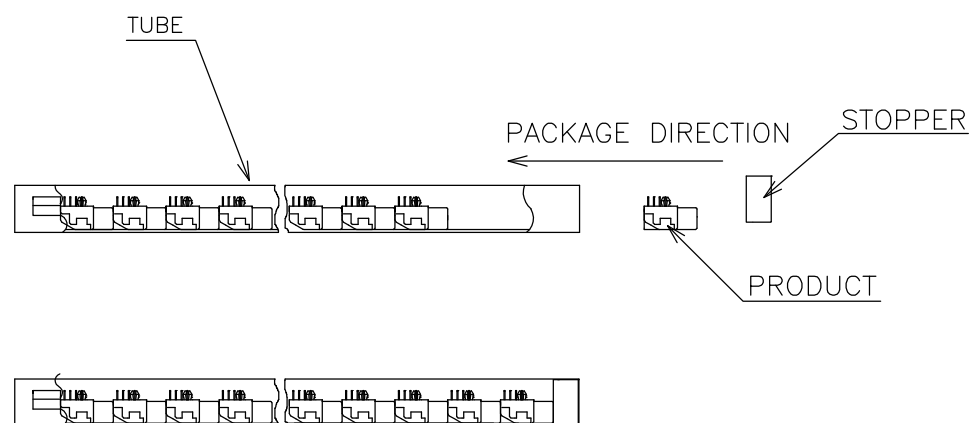
DESCRIPTION

DATE

DWN

APVD

SEE SHEET 1

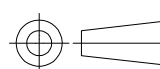


Ⓞ OBSOLETE

POS.	Q'TY/ TUBE	TUBE/ BOX	Q'TY/ BOX	N/W (KG)	G/W (KG)	PART NUMBER
						6-1734037-2
						4-1734037-2
						2-1734037-2
						1734037-2
						5-1734037-0
						3-1734037-0
						1-1734037-0
						4-1734037-1
						2-1734037-1
						1734037-1

THIS DRAWING IS A CONTROLLED DOCUMENT.

DIMENSIONS:
mm



TOLERANCES UNLESS OTHERWISE SPECIFIED:

0 PLC ± -

1 PLC ± -

2 PLC ± -

3 PLC ± -

4 PLC ± -

ANGLES ± -

FINISH ± -

MATERIAL

DWN

CHK

APVD

PRODUCT SPEC

APPLICATION SPEC

WEIGHT

NAME



RECEPTACLE ASSEMBLY, R/A,
BTB, CHAMP.050, SERIES I

SIZE

CAGE CODE

DRAWING NO

RESTRICTED TO

A3

00779

C-1734037

CUSTOMER DRAWING

SCALE

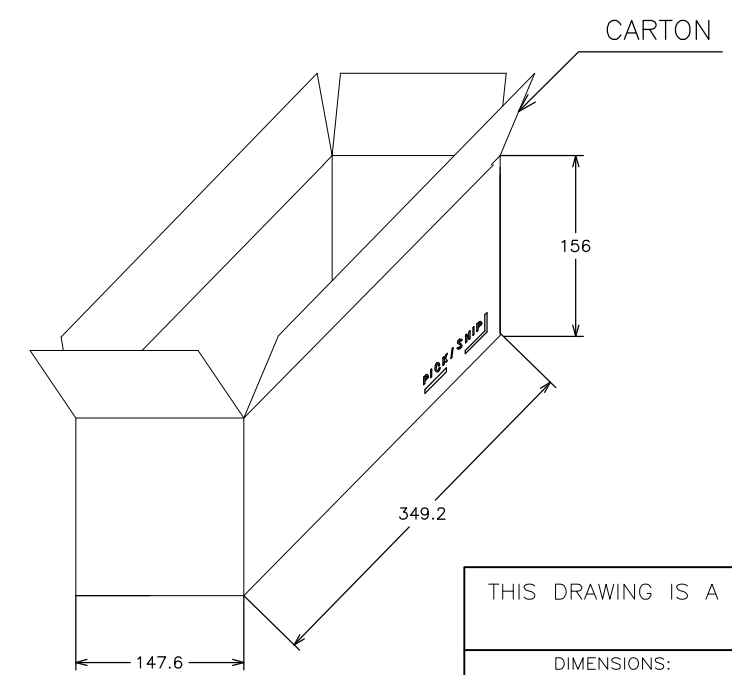
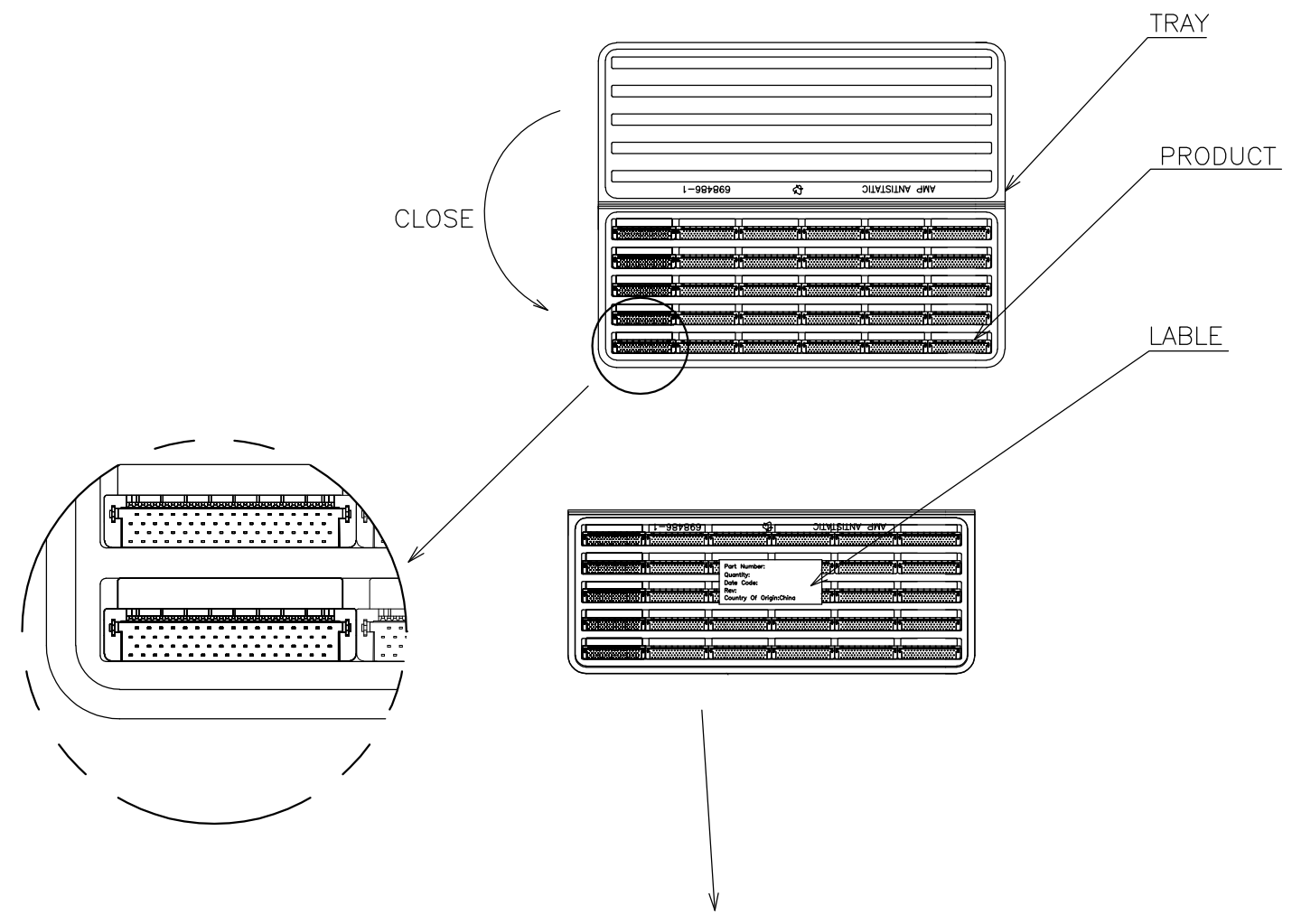
SHEET

3 OF 4

REV G1

THIS DRAWING IS UNPUBLISHED. RELEASED FOR PUBLICATION
 © COPYRIGHT - By - ALL RIGHTS RESERVED.

LOC	DIST	REVISIONS				
P	LTR	DESCRIPTION	DATE	DWN	APVD	
DW	/	SEE SHEET 1	-	-	-	



POS.	Q'TY/ TRAY	TRAY/ BOX	Q'TY/ BOX	N/W (KG)	G/W (KG)	PART NUMBER	
ⓐ	160	10	100	1.33	2.28	5-1734037-6 3-1734037-6 1-1734037-6	
	OBSOLETE	140	15	150	1.67	2.62	5-1734037-4 3-1734037-4 1-1734037-4
		120	15	150	1.35	2.30	2-1734037-0 1-1734037-8 1-1734037-2
		OBSOLETE	100	20	200	1.43	2.43
	68		30	300	1.65	2.60	4-1734037-7 2-1734037-7 1734037-7
60	30	10	300	1.60	2.60	4-1734037-6 2-1734037-6 1734037-6	
						4-1734037-5 2-1734037-5 1734037-5	
40	45	10	450	1.55	2.45	4-1734037-4 2-1734037-4 1734037-4	

THIS DRAWING IS A CONTROLLED DOCUMENT.

DIMENSIONS: mm	TOLERANCES UNLESS OTHERWISE SPECIFIED:	DWN	STE TE Connectivity		
	0 PLC ± - 1 PLC ± - 2 PLC ± - 3 PLC ± - 4 PLC ± - ANGLES ± -	CHK	RECEPTACLE ASSEMBLY, R/A, BTB, CHAMP.050, SERIES I		
MATERIAL	FINISH	APVD	NAME	SIZE	CAGE CODE
		PRODUCT SPEC		A3	00779
		APPLICATION SPEC		DRAWING NO	C-1734037
		WEIGHT		RESTRICTED TO	
		CUSTOMER DRAWING		SCALE	SHEET 4 OF 4
				REV	G1

X-ON Electronics

Largest Supplier of Electrical and Electronic Components

Click to view similar products for [Board to Board & Mezzanine Connectors](#) category:

Click to view products by [TE Connectivity](#) manufacturer:

Other Similar products are found below :

[10135583-642402LF](#) [89885-310LF](#) [589158040000018](#) [6-1393048-0](#) [68683-613](#) [MDF7-12DP-2.54DSA](#) [MDF7-18P-2.54DSA\(01\)](#) [MDF7-20DP-2.54DSA](#) [MDF7-26D-2.54DSA\(55\)](#) [MDF7-3P-2.54DSA\(01\)](#) [MDF7B-20P-2.54DSA\(01\)](#) [MDF7B-3P-2.54DSA\(55\)](#) [MDF7C-18P-2.54DSA\(55\)](#) [MDF7P-5P-2.54DSA\(55\)](#) [75234-0516](#) [FCN-230C068-11](#) [FCN-268F012-G/BD](#) [FCN-268F036-G/BD](#) [FCN-268M012-G/0D](#) [FCN-268M024-G/1D](#) [FCN-360C008-C](#) [FCN-723J004/1](#) [MIS-048-01-F-D-DP-K](#) [832-10-034-10-001000](#) [93696-325LF](#) [11828-1FA](#) [AXK630345P](#) [18097-0013](#) [2007042-2](#) [304400-2](#) [FCN-214Q030-G/0](#) [FCN-215Q040-G/0](#) [FCN-230C068-ESA](#) [FCN-234P048-G/0](#) [FCN-235D050-G/C](#) [FCN-360A3](#) [FCN-360C040-B](#) [210-93-314-41-105000](#) [2-22603-0](#) [379-064-521-202](#) [MDF7-12P-2.54DSA\(01\)](#) [MDF7-16P-2.54DS\(56\)](#) [MDF7-16P-2.54DSA\(55\)](#) [MDF7-40DP-2.54DSA\(55\)](#) [MDF7-8P-2.54DSA\(55\)](#) [AXG720047](#) [5031084030](#) [55323-1519](#) [DF33-2P-3.3DSA\(24\)](#) [DF33-2S-3.3C](#)