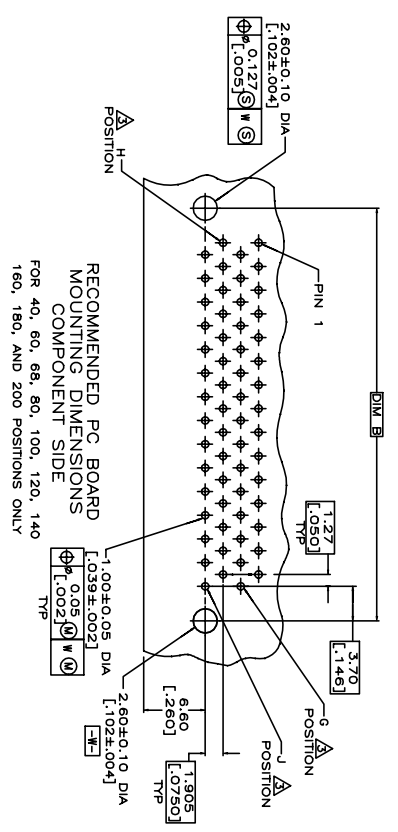
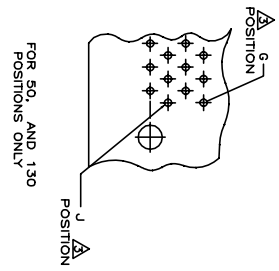


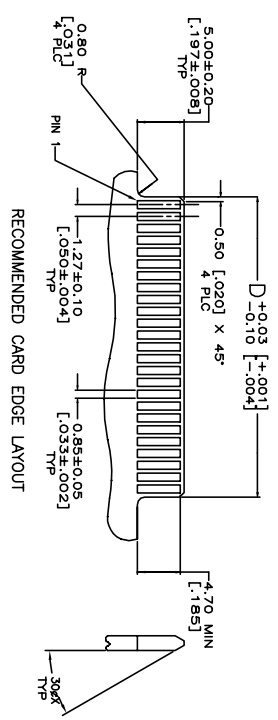
REVISIONS				
P	LTR	DESCRIPTION	DATE	APVD
-	-	SEE SHEET 1	-	-



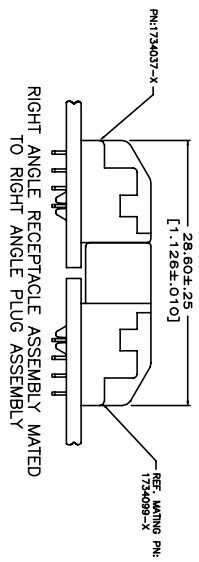
RECOMMENDED PC BOARD MOUNTING DIMENSIONS COMPONENT SIDE FOR 40, 60, 68, 80, 100, 120, 140, 160, 180, AND 200 POSITIONS ONLY



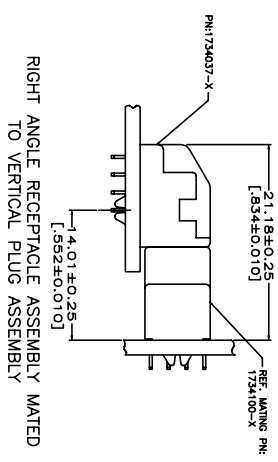
FOR 50, AND 130 POSITIONS ONLY



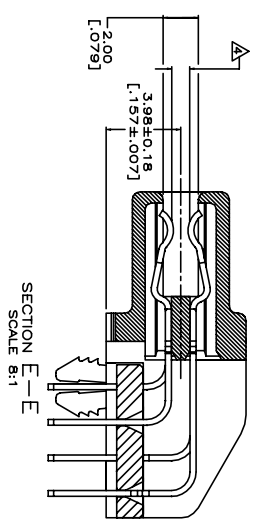
RECOMMENDED CARD EDGE LAYOUT



RIGHT ANGLE RECEPTACLE ASSEMBLY MATED TO RIGHT ANGLE PLUG ASSEMBLY



RIGHT ANGLE RECEPTACLE ASSEMBLY MATED TO VERTICAL PLUG ASSEMBLY



SECTION E-E SCALE 8:1

THIS DRAWING IS A CONTROLLED DOCUMENT.

DIMENSIONS:	mm	TOLERANCES UNLESS OTHERWISE SPECIFIED:	0 P/C ±	1 P/C ±	2 P/C ±	3 P/C ±	4 P/C ANGLES ±
MATERIAL		FINISH					

APVD: **STE** TE Connectivity Ltd.

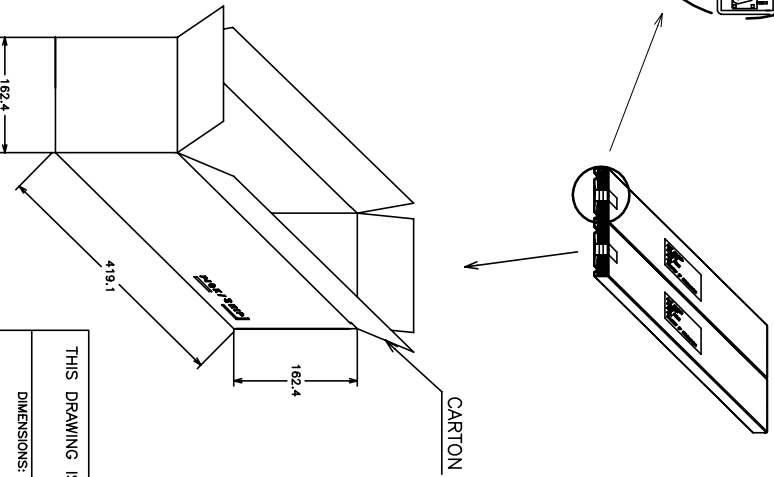
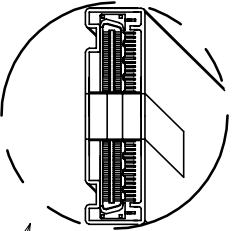
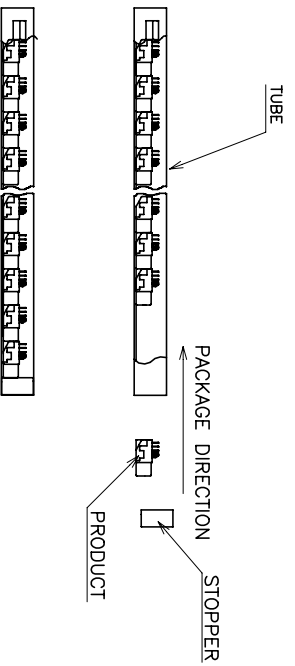
NAME: RECEPTACLE ASSEMBLY, R/A, BTB, CHAMP.050, SERIES I

SIZE: A3
 CAGE CODE: 00779
 DRAWING NO: 1734037

RESTRICTED TO CUSTOMER DRAWING

SCALE: 1:1 SHEET: 2 OF 4 REV: G2

REVISIONS				
P	LTR	DESCRIPTION	DATE	APVD
-	-	SEE SHEET 1	-	-



POS.	QTY/ TUBE	TUBE/ BOX	QTY/ BOX	N/W (KG)	G/W (KG)	PART NUMBER
						6-1734037-2
						4-1734037-2
						2-1734037-2
						1734037-2
						5-1734037-0
						3-1734037-0
						1-1734037-0
						4-1734037-1
						2-1734037-1
						1734037-1

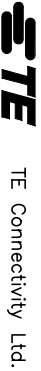
THIS DRAWING IS A CONTROLLED DOCUMENT.

DIMENSIONS:	TOLERANCES UNLESS OTHERWISE SPECIFIED:
mm	
0 P/C	±
1 P/C	±
2 P/C	±
3 P/C	±
4 P/C	±
ANGLES	±



DRAWING NO.	APVD	CHK	FINISH	MATERIAL
A3				

CUSTOMER DRAWING

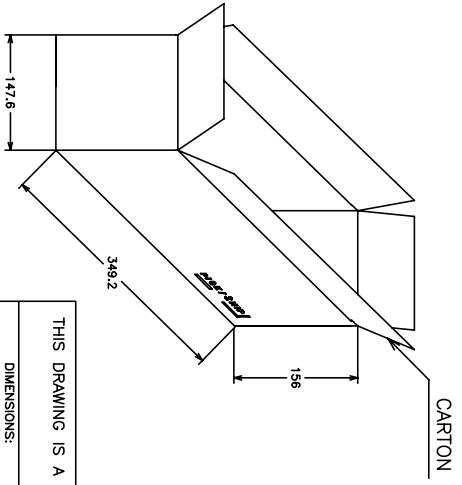
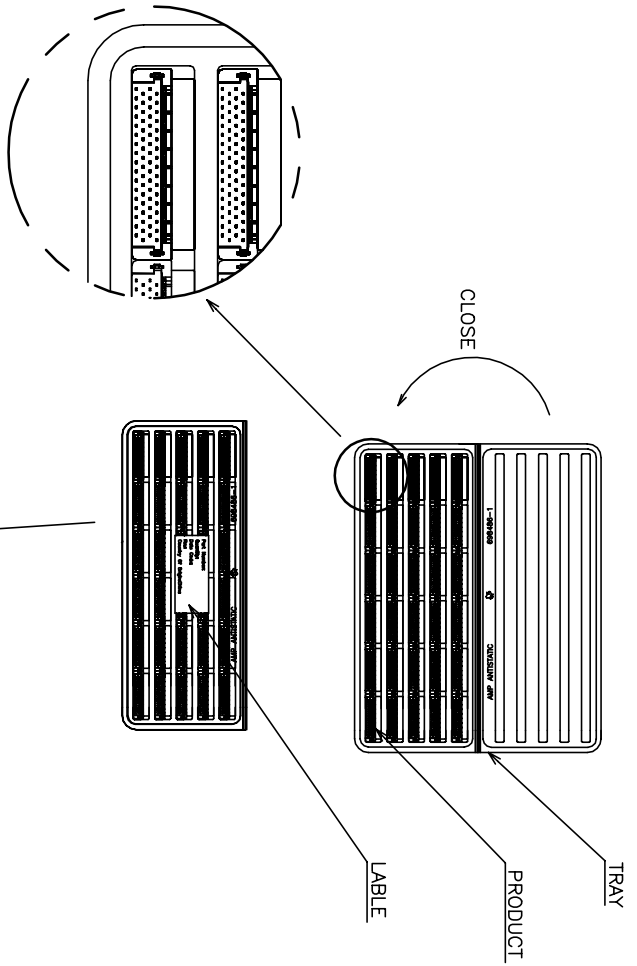


RECEPTACLE ASSEMBLY, R/A,
BTB, CHAMP.050, SERIES I

SIZE: A3
CAGE CODE: 00779
DRAWING NO: 1734037

SCALE: - SHEET: 3 OF 4 REV: G2

REVISIONS					
P	LTR	DESCRIPTION	DATE	DMN	APVD
-	-	SEE SHEET 1	-	-	-



QTY/ TRAY	TRAY/ BOX	QTY/ BOX	N/W (KG)	G/W (KG)	PART NUMBER	
40	45	10	450	1.55	2.45	5-1734037-4
160	10	10	100	1.33	2.28	5-1734037-6
						3-1734037-6
						1-1734037-6
						5-1734037-4
						3-1734037-4
						1-1734037-4
						2-1734037-0
						1-1734037-8
						1-1734037-2
						5-1734037-1
						3-1734037-1
						1-1734037-1
						4-1734037-7
						2-1734037-7
						1734037-7
						4-1734037-6
						2-1734037-6
						1734037-6
						4-1734037-5
						2-1734037-5
						1734037-5
						4-1734037-4
						2-1734037-4
						1734037-4
						4-1734037-3
						2-1734037-3
						1734037-3
						4-1734037-2
						2-1734037-2
						1734037-2
						4-1734037-1
						2-1734037-1
						1734037-1
						4-1734037-0
						2-1734037-0
						1734037-0
						4-1734037-0
						2-1734037-0
						1734037-0

THIS DRAWING IS A CONTROLLED DOCUMENT.

DIMENSIONS:	mm	TOLERANCES UNLESS OTHERWISE SPECIFIED:
0 P/C	±	
1 P/C	±	
2 P/C	±	
3 P/C	±	
4 P/C	±	
ANGLES	±	
FINISH	±	

DMN: _____
 CHK: _____
 APVD: _____
 PRODUCT SPEC: _____
 APPLICATION SPEC: _____
 WEIGHT: _____

STE TE Connectivity Ltd.

RECEPTACLE ASSEMBLY, R/A,
 BTB, CHAMP.050, SERIES I

SIZE	QAGE CODE	DRAWING NO	RESTRICTED TO
A3	00779	1734037	

CUSTOMER DRAWING

SCALE: _____ SHEET: 4 OF 4 REV: G2

X-ON Electronics

Largest Supplier of Electrical and Electronic Components

Click to view similar products for [Board to Board & Mezzanine Connectors](#) category:

Click to view products by [TE Connectivity](#) manufacturer:

Other Similar products are found below :

[589158040000018](#) [MDF7C-18P-2.54DSA\(55\)](#) [FCN-230C068-11](#) [FCN-268F012-G/BD](#) [FCN-268F036-G/BD](#) [FCN-268M012-G/0D](#) [FCN-268M024-G/1D](#) [FCN-723J004/1](#) [MIS-048-01-F-D-DP-K](#) [832-10-034-10-001000](#) [FX4C-80S-1.27DSA](#) [FCN-214Q030-G/0](#) [FCN-234P048-G/0](#) [FCN-235D050-G/C](#) [210-93-314-41-105000](#) [2-22603-0](#) [MDF7-40DP-2.54DSA\(55\)](#) [AXG720047](#) [5031084030](#) [MIT-114-03-F-D-K](#) [55323-1519](#) [DF33-2P-3.3DSA\(24\)](#) [YFT-20-05-H-03-SB-K](#) [503308-3040](#) [026-6203-PDB](#) [027-6203-PDB](#) [069159702701000](#) [10123981-102LF](#) [101A10019X](#) [55650-0588-C](#) [68682-310LF](#) [68684-306](#) [75140-7012](#) [87471-650](#) [194261-1](#) [FCN-268F024-G0D](#) [10124054-515LF](#) [68685-603](#) [8-1616154-3](#) [MIS-019-01-F-D](#) [541371078](#) [IL-WX-10PB-HF-B-E1000E](#) [FCN-268M024-G/3D](#) [20021832-06016C1LF](#) [KX15-20KLDL-E1000E](#) [MDF7-16DP-2.54DSA\(55\)](#) [AXE810124](#) [FCN-214J100-G/0](#) [FCN-230C068-E/S](#) [AXE812124](#)