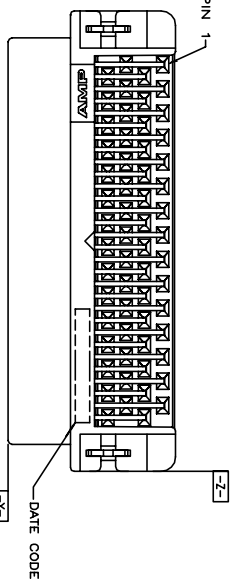
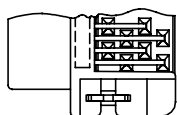


REVISIONS

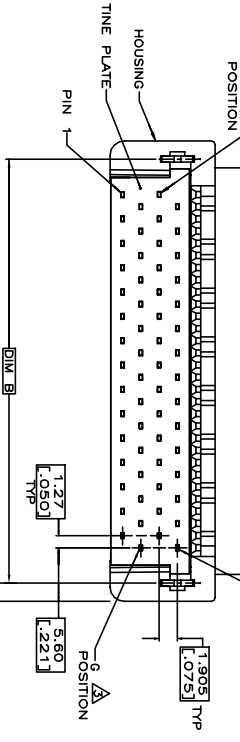
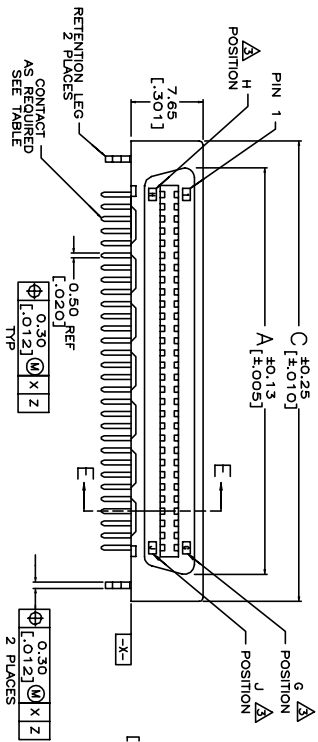
P	LR	DESCRIPTION	DATE	DMN	APVD
G2		ADDED NEW DASH NO.5-4 PER NEW REQUEST	26APR2021	SH	SZ



FOR 40,60,68,80,100,120,  
140,160,180,200 POSITIONS ONLY



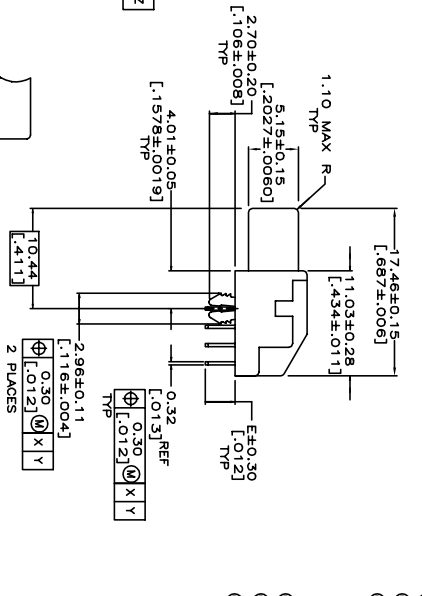
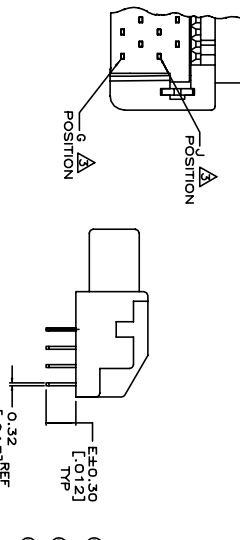
FOR 50, AND 130  
POSITIONS ONLY



- NOTE:
- MATERIAL:  
HOUSING: LIQUID CRYSTAL POLYMER (LCP), UL 94V-0, BLACK COLOR.  
CONTACTS: PHOSPHOR BRONZE.  
BOARDLOCKS: BRASS.
  - FINISH:  
CONTACTS: (SEE TABLE) GOLD PLATED ON CONTACT AREA,  
3.81um [150u"] MIN. MATTE-TIN ON SOLDERTAIL, OVER  
1.27um [50m"] MIN. NICKEL UNDERPLATED.  
BOARDLOCKS: 3.81um [150u"] MIN. TIN-CU OVER  
1.27um [50m"] MIN. UNDERPLATED

- BOARDLOCKS: 3.81um [150u"] MIN. TIN-CU OVER  
1.27um [50m"] MIN. UNDERPLATED
- G, J, AND H INDICATES NUMBER OF POSITION MARKED ON ASSEMBLY.  
ALSO SEE TABLE.
- CONNECTOR SOLDER TAILS WILL ACCOMMODATE PRINTED CIRCUIT BOARD  
THICKNESS OF 0.80 TO 1.60 [.031 TO .063].
- BOARDLOCKS NOT PRESENT.
6. WAVE SOLDER CAPABLE TO 265°C PER TEST SPEC.  
109-202, CONDITION B.
- GOLD FLASH OVER  
0.762um [30u"] MIN. PALLADIUM-NICKEL PLATED.
- OBsolete

WITHOUT RETENTION LEG



POS.	PART NUMBER	GOLD PLATED	A	B	C	D	E	NOTES																									
40	5-1734037-4	Δ	20	40	21	25.83	35.33	31.53	29.67	1.017	[1.391]	[1.242]	1.017	[1.391]	[1.242]	PET	[1.222]	[1.017]	[1.391]	[1.242]													
140	5-1734037-6	Δ	80	160	81	102.03	111.53	107.73	105.87	3.010	51.23	60.73	56.93	55.07	40	80	41	0.381um[15u"]	1-1734037-6	[1.222]	[4.017]	[4.591]	[4.242]	4.017	[5.017]	[4.591]	[4.242]						
160	5-1734037-8	Δ	40	80	41	76.63	86.13	82.33	80.47	3.10	51.23	60.73	56.93	55.07	40	80	41	0.381um[15u"]	1-1734037-8	[1.222]	[3.017]	[3.391]	[3.242]	3.10	51.23	60.73	56.93	55.07	40	80	41	0.381um[15u"]	2-1734037-1
120	5-1734037-2	Δ	60	120	61	63.93	73.43	69.63	67.77	3.10	51.23	60.73	56.93	55.07	40	80	41	0.381um[15u"]	3-1734037-2	[1.222]	[3.017]	[3.391]	[3.242]	3.10	51.23	60.73	56.93	55.07	40	80	41	0.381um[15u"]	2-1734037-2
100	5-1734037-4	Δ	50	100	51	63.93	73.43	69.63	67.77	3.10	51.23	60.73	56.93	55.07	40	80	41	0.381um[15u"]	3-1734037-4	[1.222]	[2.517]	[2.891]	[2.742]	3.10	51.23	60.73	56.93	55.07	40	80	41	0.381um[15u"]	2-1734037-4
68	5-1734037-7	Δ	34	68	35	43.61	53.11	49.31	47.45	3.10	43.61	53.11	49.31	47.45	34	68	35	0.381um[15u"]	2-1734037-7	[1.222]	[1.717]	[2.091]	[1.941]	3.10	43.61	53.11	49.31	47.45	34	68	35	0.381um[15u"]	2-1734037-7
60	5-1734037-6	Δ	30	60	31	48.03	44.23	42.37	30	3.10	48.03	44.23	42.37	30	60	31	0.381um[15u"]	2-1734037-6	[1.222]	-	[1.891]	[1.742]	3.10	48.03	44.23	42.37	30	60	31	0.381um[15u"]	2-1734037-6		
50	5-1734037-5	Δ	25	50	26	32.18	41.68	37.88	36.02	3.10	32.18	41.68	37.88	36.02	25	50	26	0.381um[15u"]	2-1734037-5	[1.222]	[1.267]	[1.641]	[1.492]	3.10	32.18	41.68	37.88	36.02	25	50	26	0.381um[15u"]	2-1734037-5
40	5-1734037-4	Δ	20	40	21	25.83	35.33	31.53	29.67	3.10	25.83	35.33	31.53	29.67	20	40	21	0.381um[15u"]	2-1734037-4	[1.222]	[1.017]	[1.391]	[1.242]	3.10	25.83	35.33	31.53	29.67	20	40	21	0.381um[15u"]	2-1734037-4
80	5-1734037-2	Δ	40	80	41	51.23	60.73	56.93	55.07	2.40	51.23	60.73	56.93	55.07	40	80	41	0.381um[15u"]	2-1734037-2	[0.94]	[2.017]	[2.391]	[2.242]	2.40	51.23	60.73	56.93	55.07	40	80	41	0.381um[15u"]	2-1734037-2

**STE** TE Connectivity Ltd.

RECEPTACLE ASSEMBLY, R/A,  
BTB, CHAMP.050, SERIES I

THIS DRAWING IS A CONTROLLED DOCUMENT.

DIMENSIONS:	TOLERANCES UNLESS OTHERWISE SPECIFIED:
mm	±
0 PIG	±0.3
1 PIG	±0.2
2 PIG	±
3 PIG	±
4 PIG	±
5 PIG	±

APVD: S. CHIEN  
CHK: F. YANG  
DATE: 31MAR2009

APVD: W. KODAMA  
CHK: S. CHIEN  
DATE: 31MAR2009

PRODUCT SPEC: 108-57876

APPLICATION SPEC: -

WEIGHT: -

SIZE	QAGE CODE	DRAWING NO	RESTRICTED
A3	00779	1734037	20

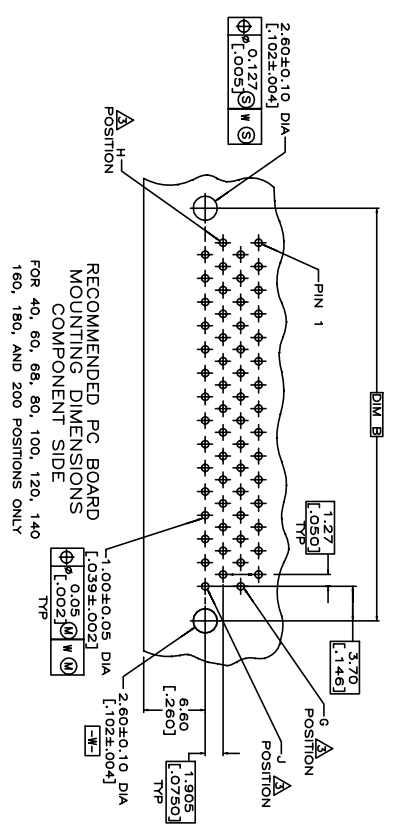
CUSTOMER DRAWING

SCALE: -

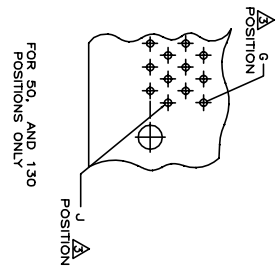
SHEET: 1 OF 4

REV: G2

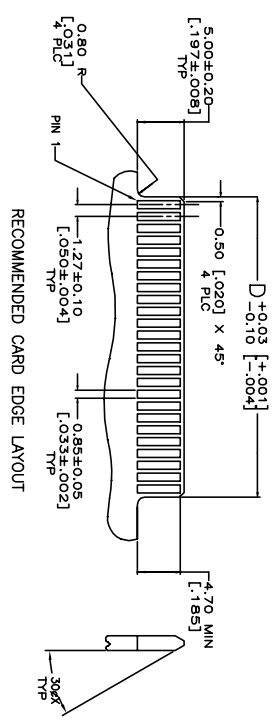
REVISIONS				
P	LTR	DESCRIPTION	DATE	APVD
-	-	SEE SHEET 1	-	-



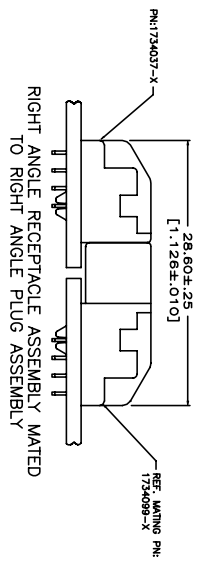
RECOMMENDED PC BOARD MOUNTING DIMENSIONS COMPONENT SIDE  
FOR 40, 60, 68, 80, 100, 120, 140, 160, 180, AND 200 POSITIONS ONLY



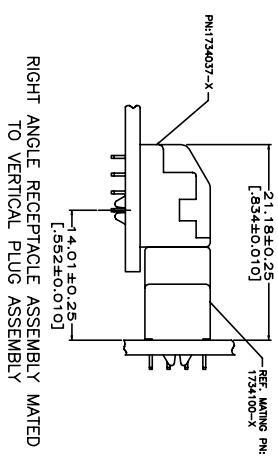
FOR 50, AND 130 POSITIONS ONLY



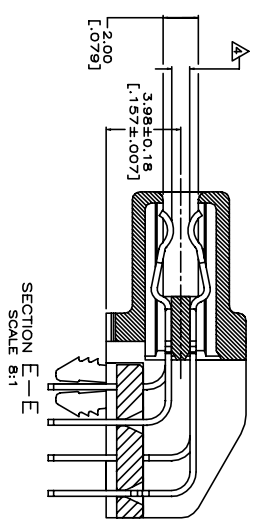
RECOMMENDED CARD EDGE LAYOUT



RIGHT ANGLE RECEPTACLE ASSEMBLY MATED TO RIGHT ANGLE PLUG ASSEMBLY



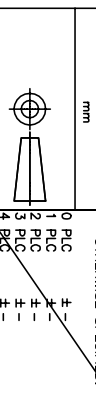
RIGHT ANGLE RECEPTACLE ASSEMBLY MATED TO VERTICAL PLUG ASSEMBLY



SECTION E-E  
SCALE 8:1

THIS DRAWING IS A CONTROLLED DOCUMENT.

DIMENSIONS:	TOLERANCES UNLESS OTHERWISE SPECIFIED:
mm	0 P/C ±
	1 P/C ±
	2 P/C ±
	3 P/C ±
	4 P/C ±
	ANGLES ±
	FINISH ±

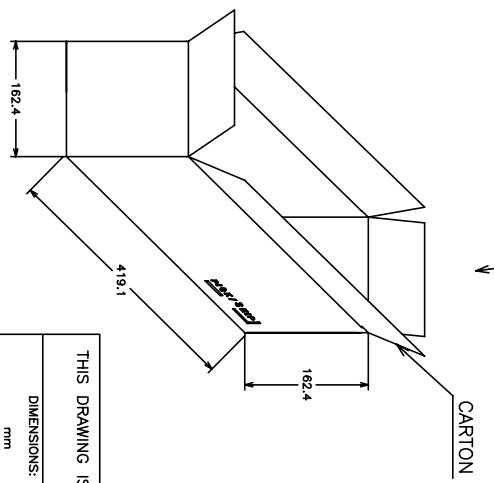
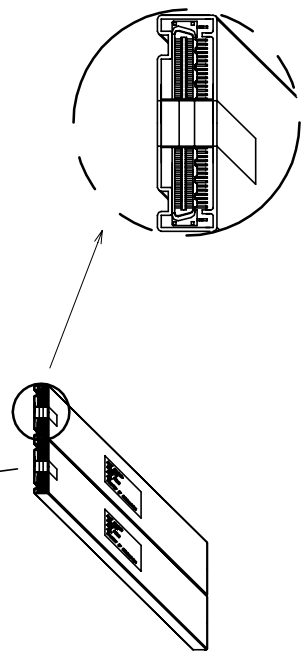
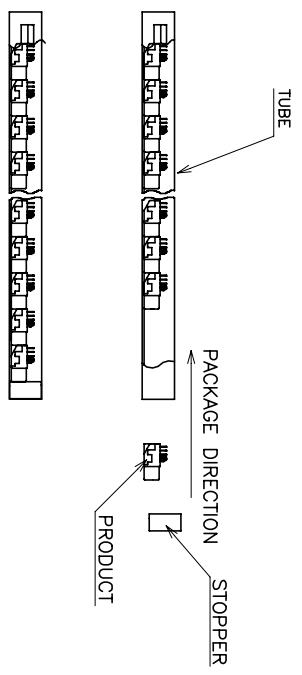


**STE** TE Connectivity Ltd.

RECEPTACLE ASSEMBLY, R/A,  
BTB, CHAMP.050, SERIES I

APVD	CHK	DMN	NAME	SIZE	QAGE CODE	DRAWING NO	RESTRICTED
-	-	-	RECEPTACLE ASSEMBLY, R/A, BTB, CHAMP.050, SERIES I	A3	00779	1734037	70
PRODUCT SPEC	APPLICATION SPEC	WEIGHT	CUSTOMER DRAWING	SCALE	SHEET	2 OF 4	REV
-	-	-	-	-	-	-	G2

REVISIONS				
P	LTR	DESCRIPTION	DATE	APVD
-	-	SEE SHEET 1	-	-



POS.	QTY/ TUBE	TUBE/ BOX	QTY/ BOX	N/W (KG)	G/W (KG)	PART NUMBER
						6-1734037-2
						4-1734037-2
						2-1734037-2
						1734037-2
						5-1734037-0
						3-1734037-0
						1-1734037-0
						4-1734037-1
						2-1734037-1
						1734037-1

Ⓢ OBSOLETE

THIS DRAWING IS A CONTROLLED DOCUMENT.

DIMENSIONS: mm

TOLERANCES UNLESS OTHERWISE SPECIFIED:  
 0 P/C ±  
 1 P/C ±  
 2 P/C ±  
 3 P/C ±  
 4 P/C ±  
 ANGLES ±

FINISH

MATERIAL

DMN -  
 CHK -  
 APVD -  
 PRODUCT SPEC -  
 APPLICATION SPEC -  
 WEIGHT -

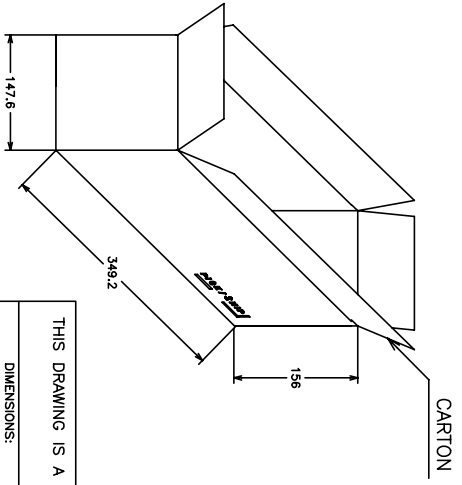
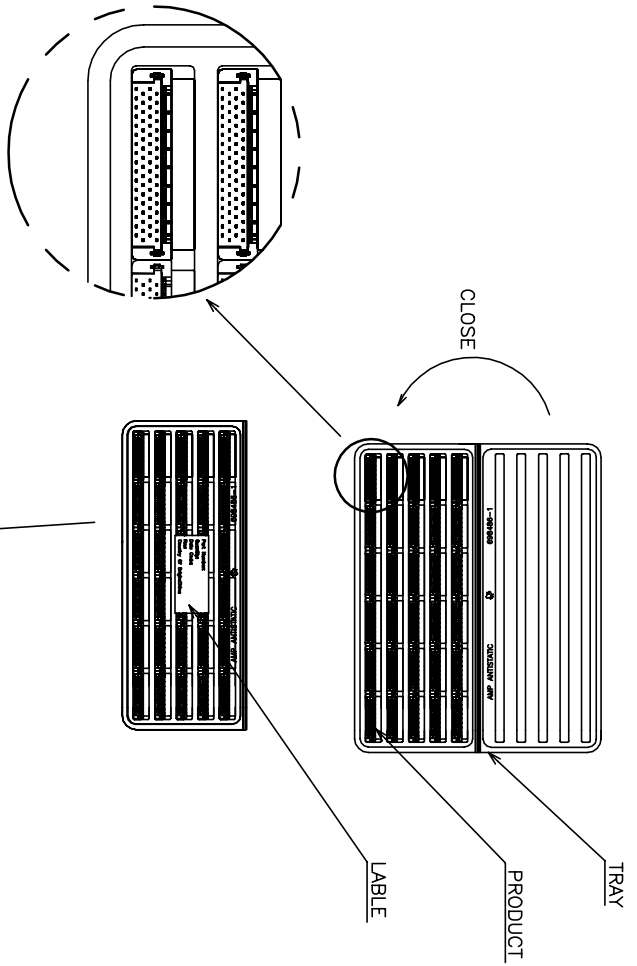
CUSTOMER DRAWING

NAME  
 RECEPTACLE ASSEMBLY, R/A,  
 BTB, CHAMP.050, SERIES I

SIZE A3  
 CAGE CODE 00779  
 DRAWING NO. 1734037

RESTRICTED 70  
 SCALE -  
 SHEET 3 OF 4  
 REV G2

REVISIONS					
P	LTR	DESCRIPTION	DATE	DMN	APVD
-	-	SEE SHEET 1	-	-	-



QTY/ TRAY	TRAY/ BOX	QTY/ BOX	N/W (KG)	G/W (KG)	PART NUMBER	
40	45	10	450	1.55	2.45	5-1734037-4
160	10	10	100	1.33	2.28	5-1734037-6
						3-1734037-6
						1-1734037-6
						5-1734037-4
						3-1734037-4
						1-1734037-4
						2-1734037-0
						1-1734037-8
						1-1734037-2
						5-1734037-1
						3-1734037-1
						1-1734037-1
						4-1734037-7
						2-1734037-7
						1734037-7
						4-1734037-6
						2-1734037-6
						1734037-6
						4-1734037-5
						2-1734037-5
						1734037-5
						4-1734037-4
						2-1734037-4
						1734037-4
						4-1734037-3
						2-1734037-3
						1734037-3
						4-1734037-2
						2-1734037-2
						1734037-2
						4-1734037-1
						2-1734037-1
						1734037-1
						4-1734037-0
						2-1734037-0
						1734037-0
						4-1734037-0
						2-1734037-0
						1734037-0

THIS DRAWING IS A CONTROLLED DOCUMENT.

DIMENSIONS:	TOLERANCES UNLESS OTHERWISE SPECIFIED:
mm	
0 P/C	±
1 P/C	±
2 P/C	±
3 P/C	±
4 P/C	±
ANGLES	±
FINISH	±

DMN	CHK	APVD	PRODUCT SPEC	APPLICATION SPEC	WEIGHT	CUSTOMER DRAWING
-	-	-	-	-	-	-

RECEPTACLE ASSEMBLY, R/A,  
BTB, CHAMP.050, SERIES I

SIZE: A3  
CAGE CODE: 00779  
DRAWING NO: 1734037

RESTRICTED TO: G2

SCALE: 1:1  
SHEET: 4 OF 4  
REV: G2

## X-ON Electronics

Largest Supplier of Electrical and Electronic Components

*Click to view similar products for [Board to Board & Mezzanine Connectors](#) category:*

*Click to view products by [TE Connectivity](#) manufacturer:*

Other Similar products are found below :

[589158040000018](#) [MDF7C-18P-2.54DSA\(55\)](#) [FCN-230C068-11](#) [FCN-268F012-G/BD](#) [FCN-268F036-G/BD](#) [FCN-268M012-G/0D](#) [FCN-268M024-G/1D](#) [FCN-723J004/1](#) [MIS-048-01-F-D-DP-K](#) [832-10-034-10-001000](#) [FX4C-80S-1.27DSA](#) [FCN-214Q030-G/0](#) [FCN-234P048-G/0](#) [FCN-235D050-G/C](#) [210-93-314-41-105000](#) [2-22603-0](#) [MDF7-40DP-2.54DSA\(55\)](#) [AXG720047](#) [5031084030](#) [MIT-114-03-F-D-K](#) [55323-1519](#) [DF33-2P-3.3DSA\(24\)](#) [YFT-20-05-H-03-SB-K](#) [503308-3040](#) [026-6203-PDB](#) [027-6203-PDB](#) [069159702701000](#) [10123981-102LF](#) [101A10019X](#) [55650-0588-C](#) [68682-310LF](#) [68684-306](#) [75140-7012](#) [87471-650](#) [194261-1](#) [FCN-268F024-G0D](#) [10124054-515LF](#) [68685-603](#) [8-1616154-3](#) [MIS-019-01-F-D](#) [FCN-268M024-G/3D](#) [20021832-06016C1LF](#) [KX15-20KLDL-E1000E](#) [MDF7-16DP-2.54DSA\(55\)](#) [AXE810124](#) [FCN-214J100-G/0](#) [FCN-230C068-E/S](#) [AXE812124](#) [AXE816124](#) [AXE720127](#)