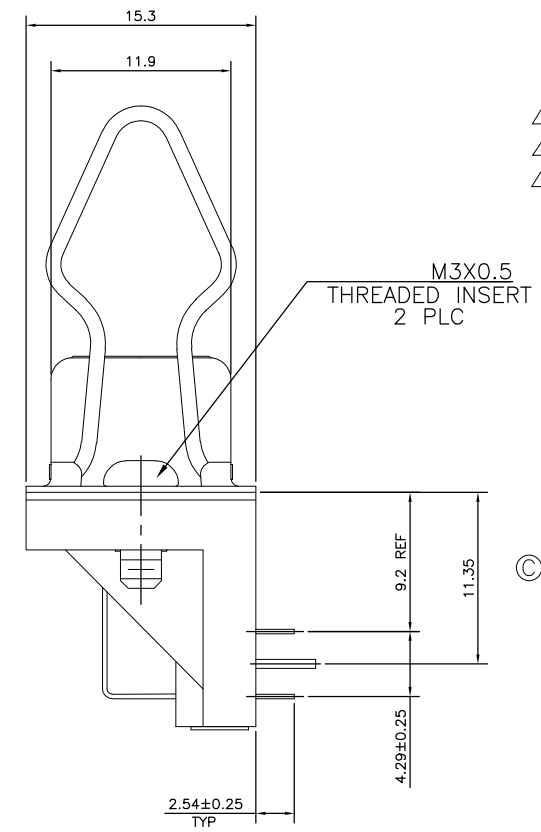
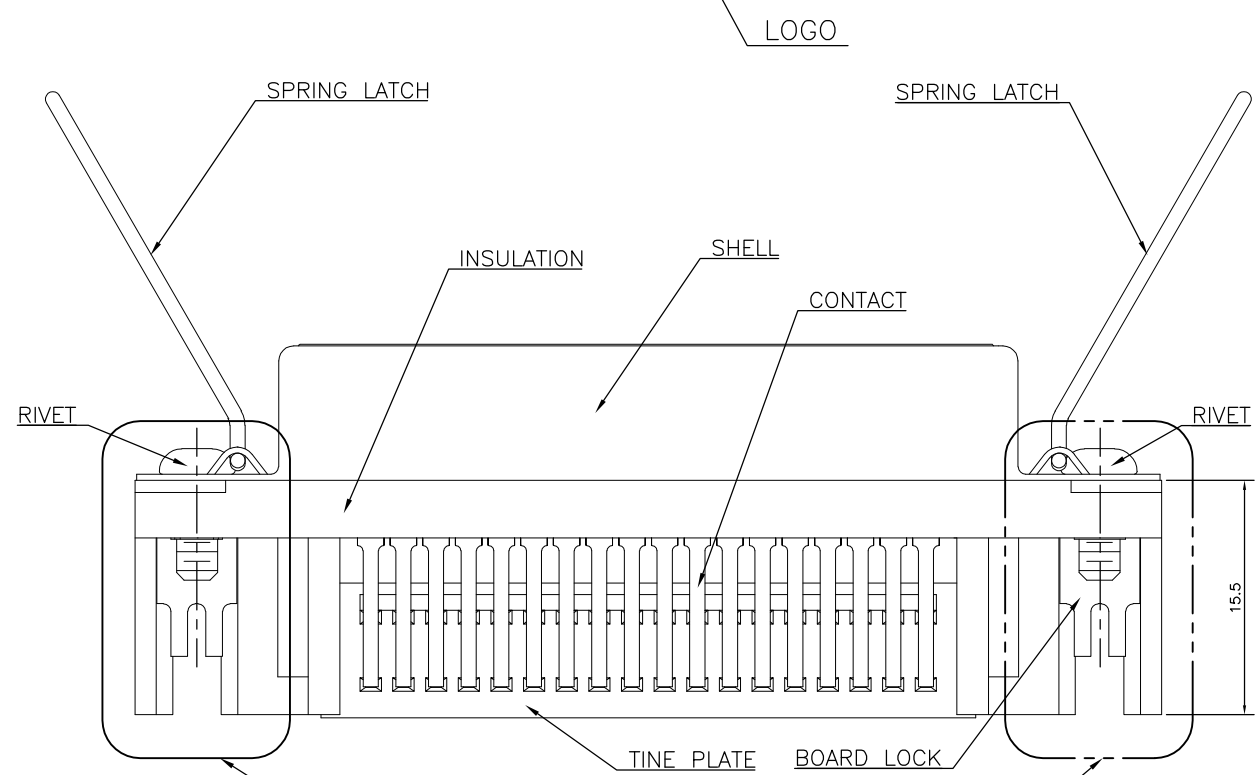
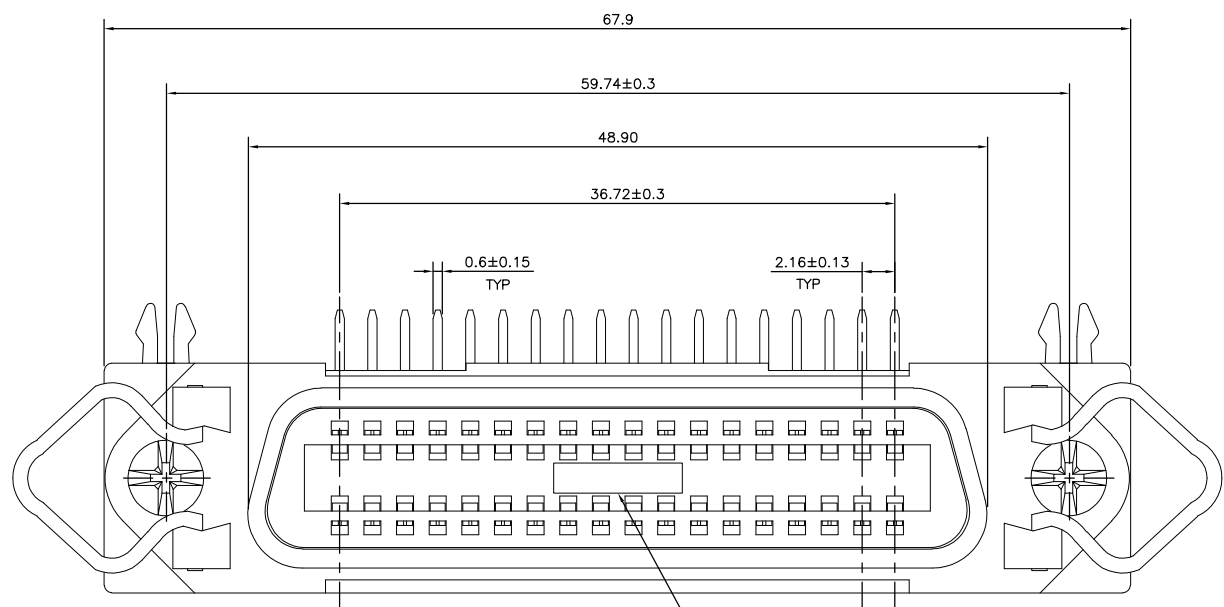


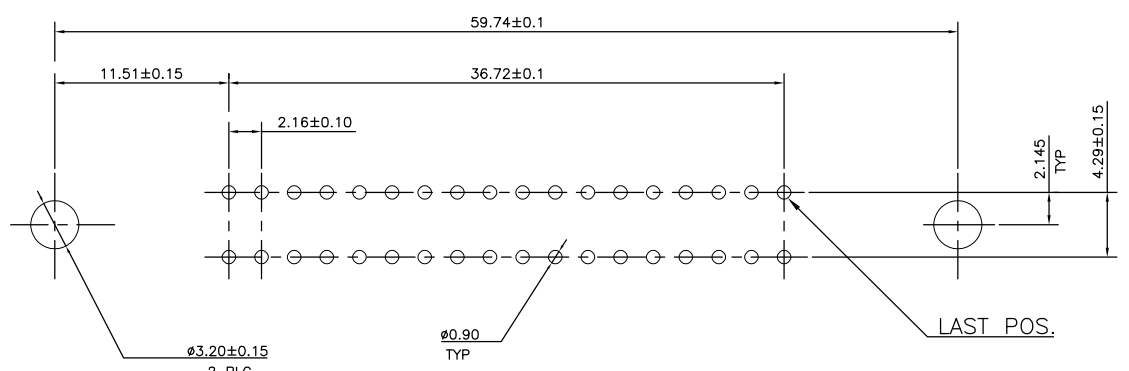
THIS DRAWING IS UNPUBLISHED. RELEASED FOR PUBLICATION
 © COPYRIGHT - By - ALL RIGHTS RESERVED.

LOC	DIST	REVISIONS			
P	LTR	DESCRIPTION	DATE	DWN	APVD
	C	REVISED PER ECR-12-013431	15APR2013	K.M	E.T



NOTE:
 1. MATERIAL:
 HOUSING: THERMOPLASTIC WITH GLASS-FIBER FILLED, UL 94V-0 RATED, COLOR: SEE TABLE.
 TINE PLATE: THERMOPLASTIC WITH GLASS-FIBER FILLED, UL 94V-0 RATED, COLOR: SEE TABLE
 CONTACTS: COPPER ALLOY.
 BOARD LOCK: BRASS.
 SPRING LATCH: STAINLESS STEEL
 SHELL: STEEL.
 RIVET: BRASS.
 2. FINISH:
 CONTACT: (SEE TABLE) GOLD PLATING ON CONTACT AREA, 2.54µm [100µ"] MIN. TIN-CU ON SOLDER TAIL, 1.27µm [50µ"] MIN. NICKEL UNDERPLATED ALL OVER.
 SHELL: 1.27µm [50µ"] MIN. NICKEL PLATED.
 BOARD LOCK: 3.81µm [150µ"] MIN. TIN-CU PLATED.
 RIVET: 1.27µm [50µ"] MIN. NICKEL PLATED.
 ⚠ SEE SHEET 4 FOR DIFFERENT POINT EXPLANATION.
 ⚠ SEE SHEET 3 FOR DIFFERENT POINT EXPLANATION.
 ⚠ SEE SHEET 4 FOR DIFFERENT POINT EXPLANATION.

CONSTRUCTIVE AND VISUAL CHANGE REFER TO DETAIL B (ONLY FOR 4-1734044-3)
 CONSTRUCTIVE AND VISUAL CHANGE REFER TO DETAIL A



RECOMMENDED PC BOARD LAYOUT

	W/O	BLACK	⚠	GOLD FLASH	5-1734044-3
Ⓢ OBSOLETE	W/O	BLACK	⚠	GOLD FLASH	4-1734044-3
Ⓢ OBSOLETE	W/	BLACK	⚠ RIVET(M3)	0.381um [15u"]	3-1734044-3
	W/O	BURGUNDY	SCREW	0.381um [15u"]	2-1734044-1
	W/O	BLACK	⚠ RIVET(M3)	0.381um [15u"]	1-1734044-3
	W/O	BLACK	RIVET	0.381um [15u"]	1-1734044-2
	W/O	BLACK	SCREW	0.381um [15u"]	1-1734044-1
	W/O	BLACK	⚠ RIVET(M3)	GOLD FLASH	1734044-3
	W/O	BLACK	RIVET	GOLD FLASH	1734044-2
	W/O	BLACK	SCREW	GOLD FLASH	1734044-1
GROUND TABS	HOUSING & TINE PLATE COLOR	LOCK TYPE	MIN. THICKNESS	PART NUMBER	

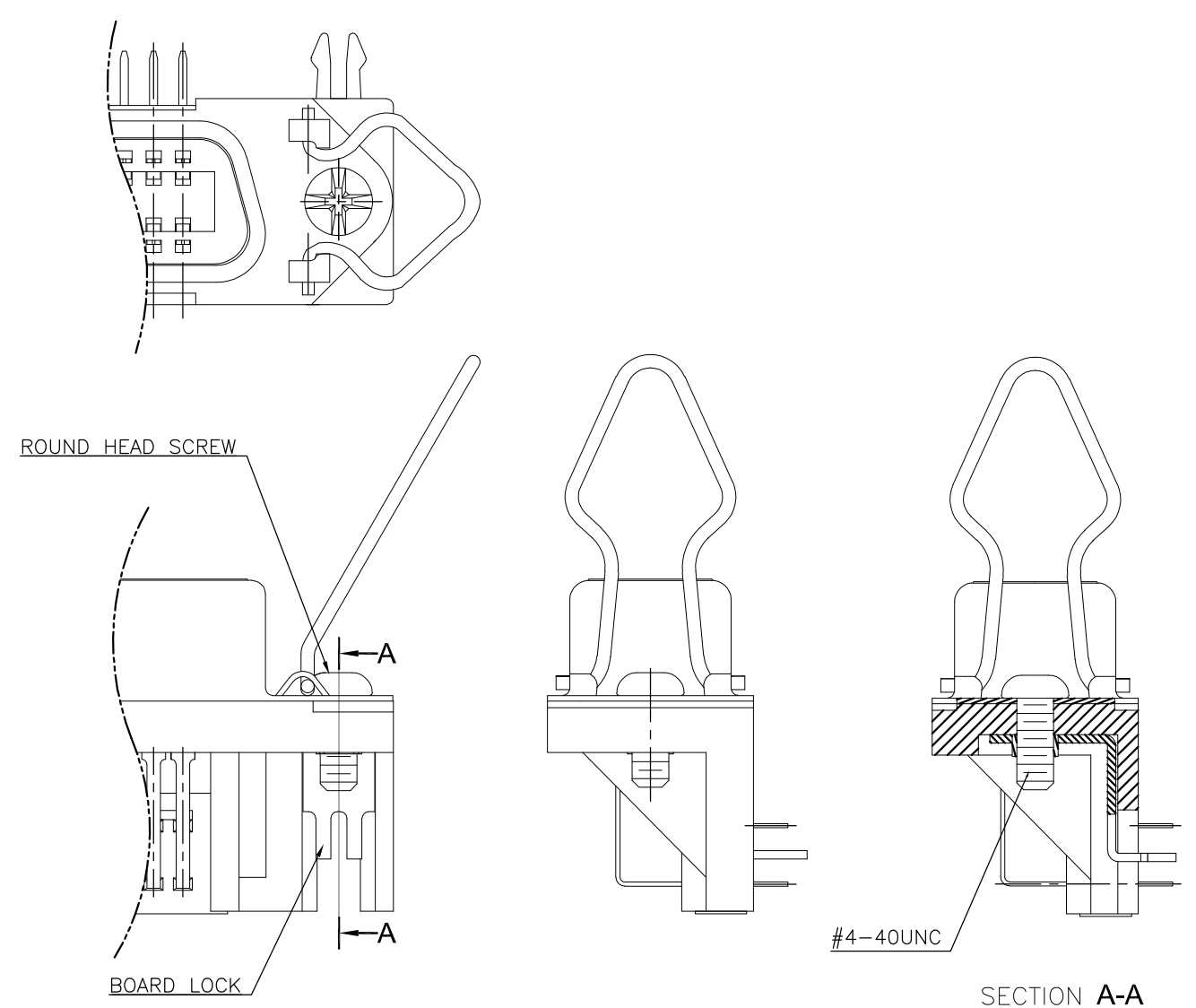
THIS DRAWING IS A CONTROLLED DOCUMENT.		DWN S. CHIEN 27OCT2008	TE Connectivity		
DIMENSIONS: mm		CHK S. CHIEN 27OCT2008			
TOLERANCES UNLESS OTHERWISE SPECIFIED:		APVD W. KODAMA 27OCT2008	NAME		
0 PLC ± 0.38		PRODUCT SPEC 108-57098			
1 PLC ± 0.25		APPLICATION SPEC			
2 PLC ± 0.13		SIZE		CAGE CODE	DRAWING NO
3 PLC ± 0.05		—		—	—
4 PLC ± —		WEIGHT GRAMS		A300779	C-1734044
ANGLES ± 3'		CUSTOMER DRAWING			
FINISH		SCALE		SHEET 1 OF 5	REV C
SEE NOTES		—			

THIS DRAWING IS UNPUBLISHED. RELEASED FOR PUBLICATION - , - .
 © COPYRIGHT - By - ALL RIGHTS RESERVED.

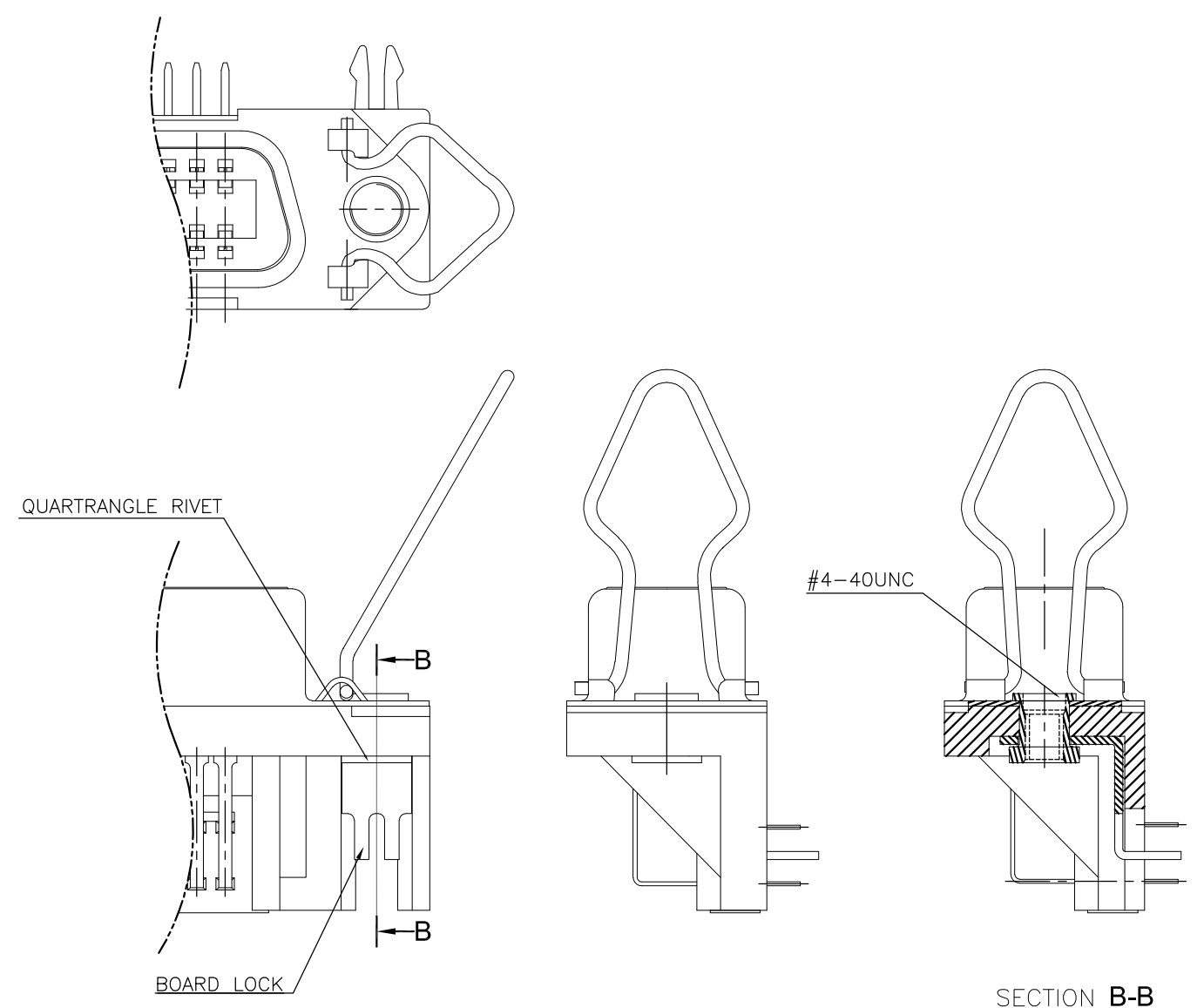
LOC		DIST		REVISIONS			
P	LTR	DESCRIPTION		DATE	DWN	APVD	
	-	SEE SHEET 1		-	-	-	

DETAIL A

DETAIL A



FOR X-1734044-1



FOR X-1734044-2

THIS DRAWING IS A CONTROLLED DOCUMENT.		DWN	TE Connectivity				
DIMENSIONS: mm		CHK				NAME	
		APVD					
TOLERANCES UNLESS OTHERWISE SPECIFIED: 0 PLC ± 0.38 1 PLC ± 0.25 2 PLC ± 0.13 3 PLC ± 0.05 4 PLC ± - ANGLES ± - MATERIAL FINISH		PRODUCT SPEC				RECEPTACLE ASSEMBLY, 36P RIGHT ANGLE, CENTRONICS.	
MATERIAL		APPLICATION SPEC	SIZE	CAGE CODE	DRAWING NO		
		WEIGHT	A3	00779	C-1734044	-	
CUSTOMER DRAWING			SCALE	SHEET	REV		
			-	2 OF 5	C		

THIS DRAWING IS UNPUBLISHED.

RELEASED FOR PUBLICATION

ALL RIGHTS RESERVED.

© COPYRIGHT - By -

LOC
DW

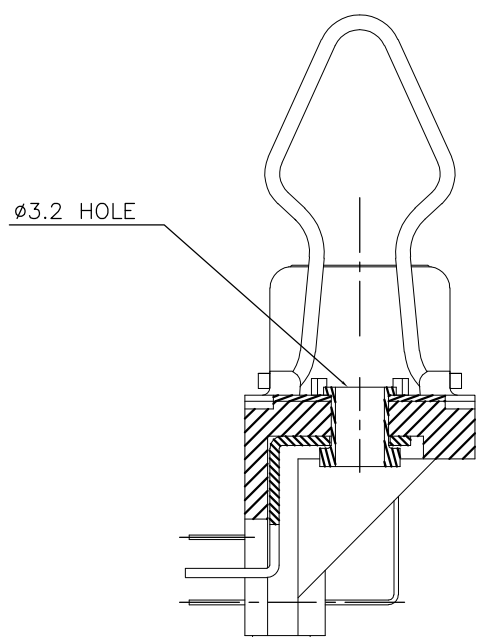
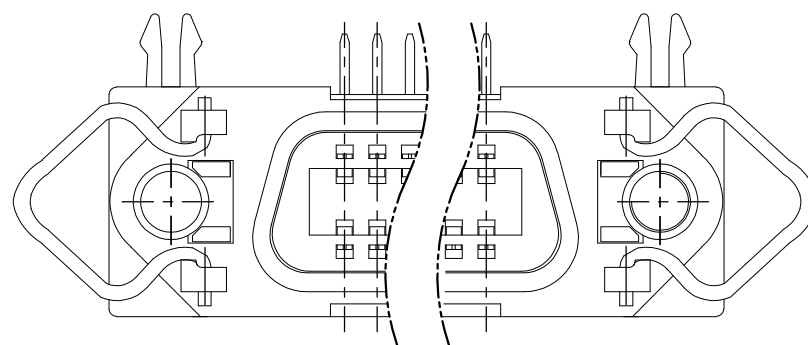
DIST
/

REVISIONS

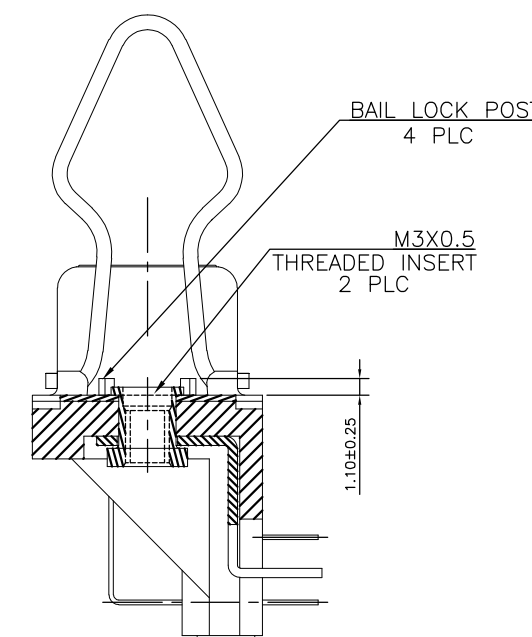
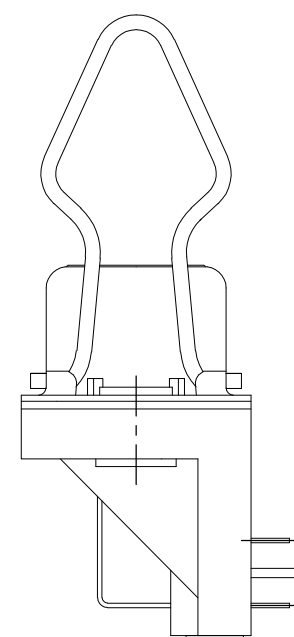
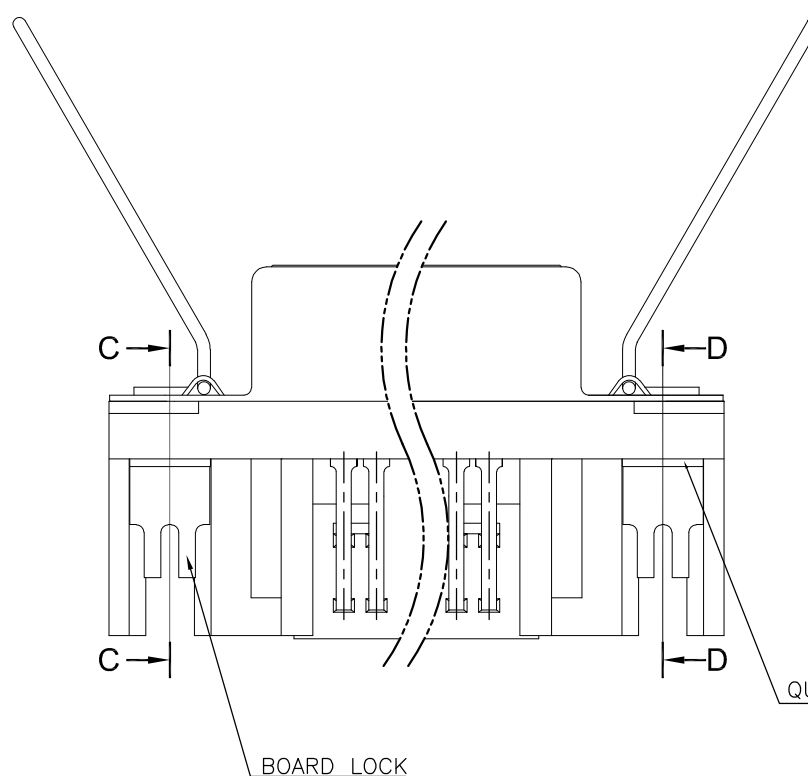
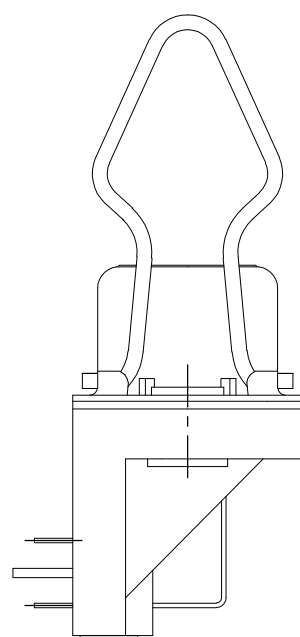
P	LTR	DESCRIPTION	DATE	DWN	APVD
-	-	SEE SHEET 1	-	-	-

DETAIL B

DETAIL A



SECTION C-C



SECTION D-D

ONLY FOR 4-1734044-3-4

THIS DRAWING IS A CONTROLLED DOCUMENT.		DWN	TE Connectivity NAME RECEPTACLE ASSEMBLY, 36P RIGHT ANGLE, CENTRONICS.			
DIMENSIONS: mm		CHK				
TOLERANCES UNLESS OTHERWISE SPECIFIED: 0 PLC ± - 1 PLC ± - 2 PLC ± - 3 PLC ± - 4 PLC ± - ANGLES ± - MATERIAL FINISH		APVD				
		PRODUCT SPEC				
MATERIAL		APPLICATION SPEC	SIZE	CAGE CODE	DRAWING NO	RESTRICTED TO
		WEIGHT	A3	00779	C-1734044	-
		CUSTOMER DRAWING	SCALE	SHEET	REV	
			-	3 OF 5	C	

THIS DRAWING IS UNPUBLISHED.

RELEASED FOR PUBLICATION

ALL RIGHTS RESERVED.

© COPYRIGHT - By -

LOC
DW

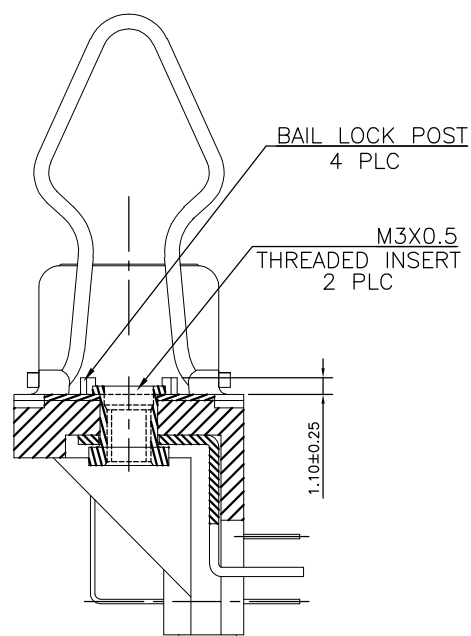
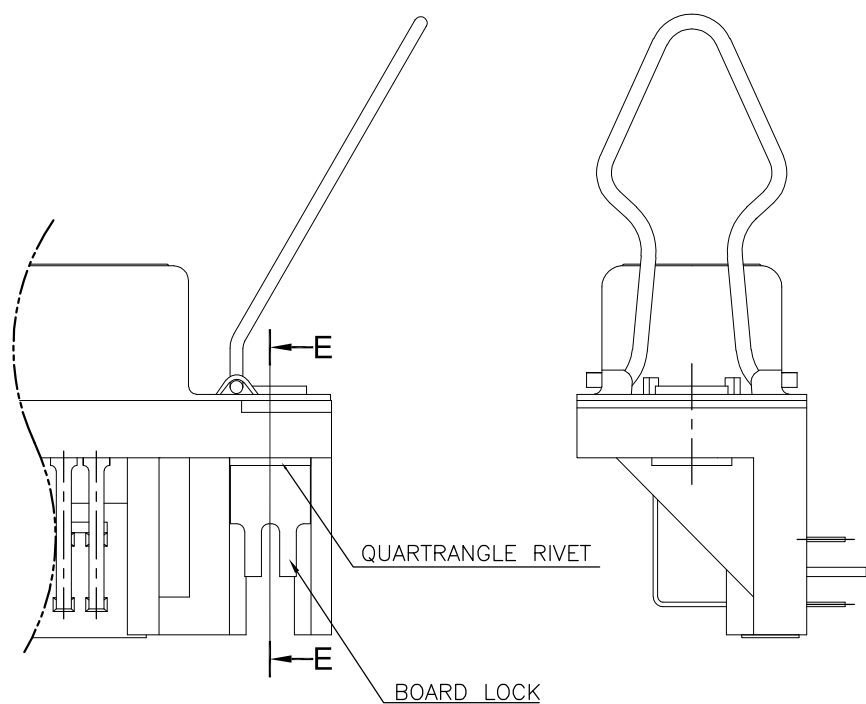
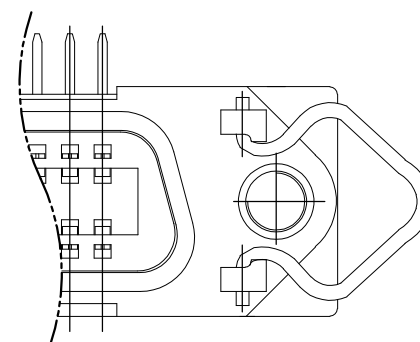
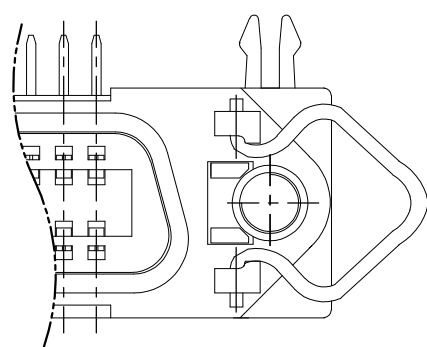
DIST
-

REVISIONS

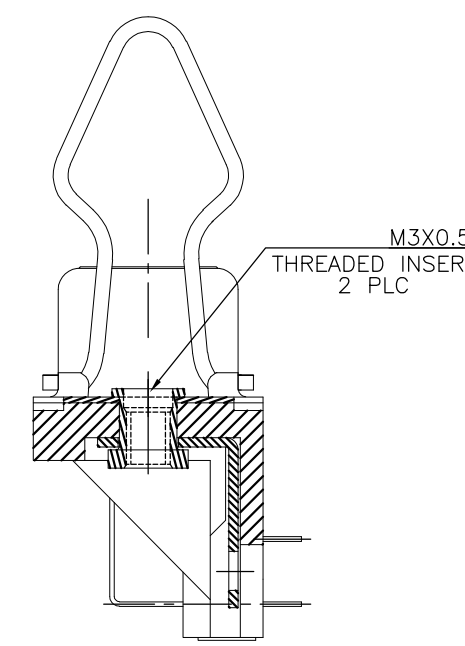
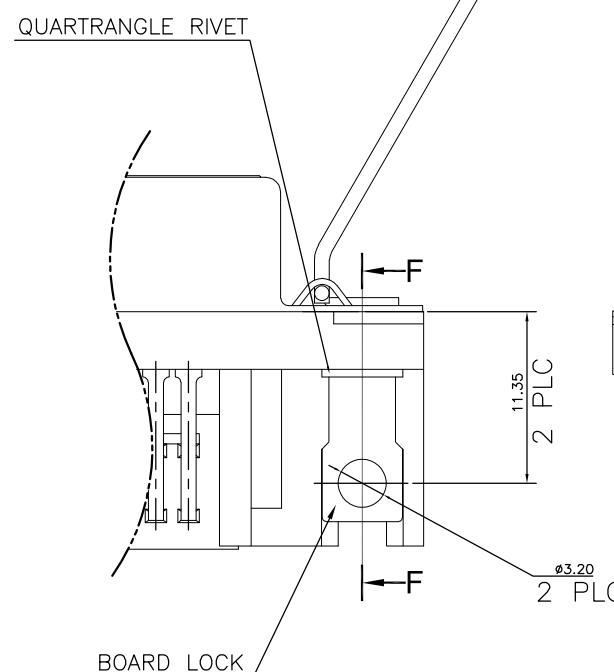
P	LTR	DESCRIPTION	DATE	DWN	APVD
-	-	SEE SHEET 1	-	-	-

DETAIL A

DETAIL A



SECTION E-E



SECTION F-F

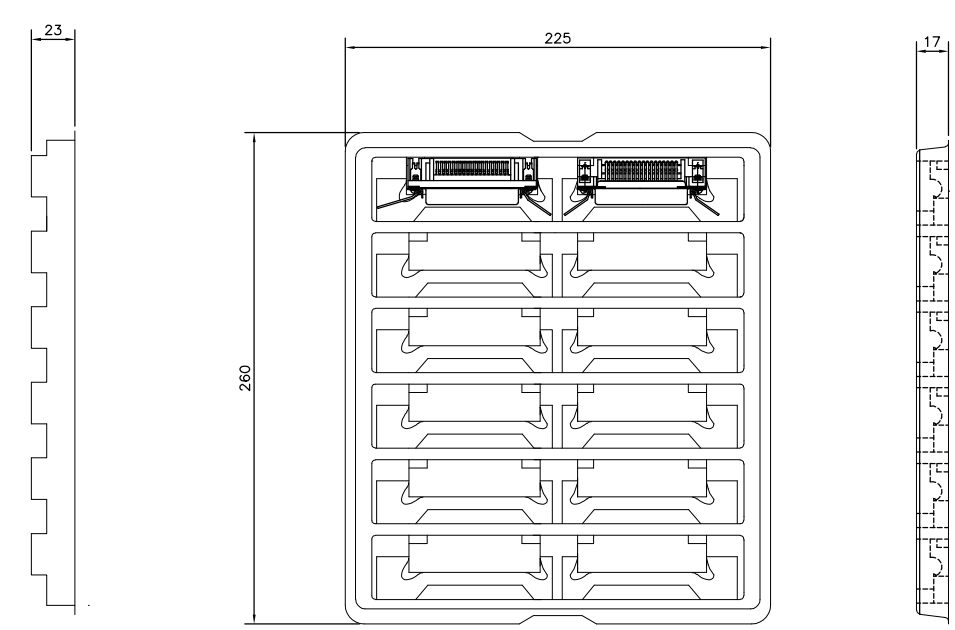
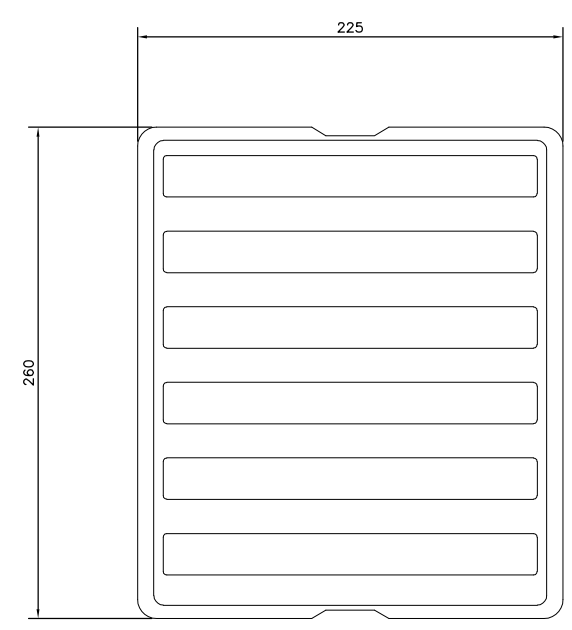
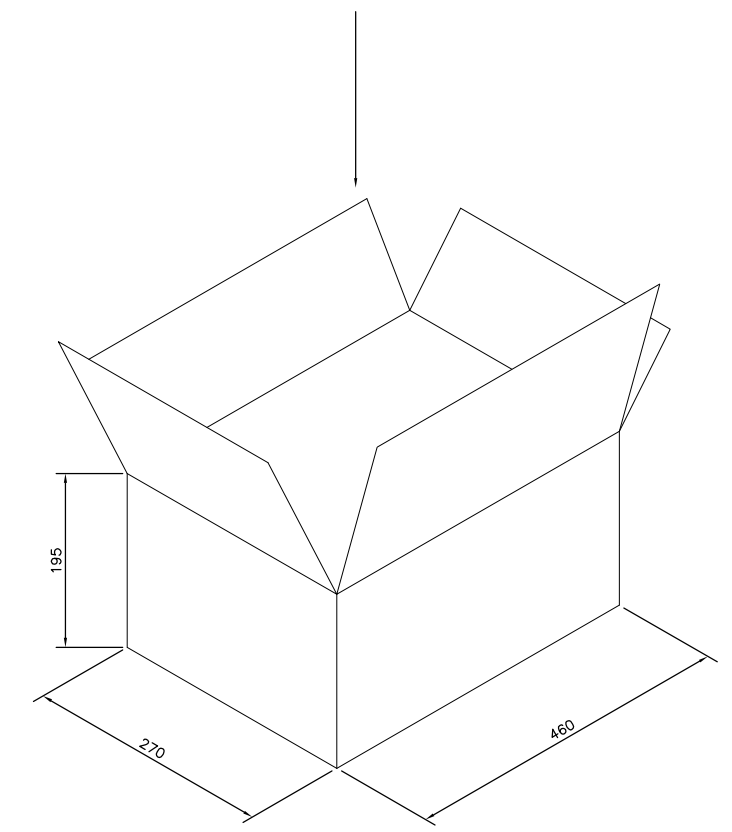
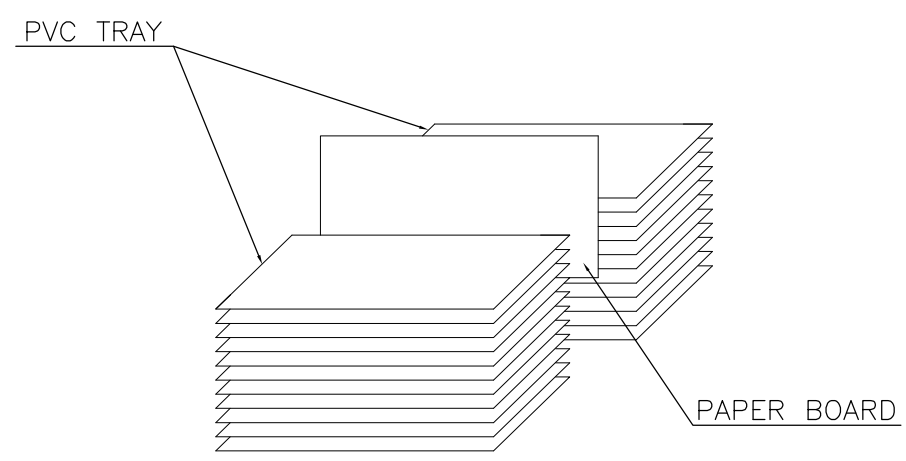
FOR 1734044-3, 1-1734044-3, 3-1734044-3

ONLY FOR 5-1734044-3

THIS DRAWING IS A CONTROLLED DOCUMENT.		DWN	TE Connectivity					
DIMENSIONS: mm		CHK				NAME		
		APVD						
TOLERANCES UNLESS OTHERWISE SPECIFIED: 0 PLC ± 0.38 1 PLC ± 0.25 2 PLC ± 0.13 3 PLC ± 0.05 4 PLC ± - ANGLES ± 3°		PRODUCT SPEC				SIZE	CAGE CODE	DRAWING NO
MATERIAL		APPLICATION SPEC	A300779		C-1734044	-		
FINISH		WEIGHT	CUSTOMER DRAWING		SCALE	SHEET	REV	
					-	4 OF 5	C	

THIS DRAWING IS UNPUBLISHED. RELEASED FOR PUBLICATION
 © COPYRIGHT - By - ALL RIGHTS RESERVED.

LOC	DIST	REVISIONS				
P	LTR	DESCRIPTION	DATE	DWN	APVD	
	-	SEE SHEET 1	-	-	-	



8.0	9.0	12	16	192
NET WEIGHT (KGS)	GROSS WEIGHT (KGS)	PCS/TRAY	TRAYS/ OUTER BOX	QUANTITY

THIS DRAWING IS A CONTROLLED DOCUMENT.		DWN	TE Connectivity RECEPTACLE ASSEMBLY, 36P RIGHT ANGLE, CENTRONICS.				
DIMENSIONS: mm		CHK					
		APVD					
TOLERANCES UNLESS OTHERWISE SPECIFIED: 0 PLC ± - 1 PLC ± - 2 PLC ± - 3 PLC ± - 4 PLC ± - ANGLES ± -		PRODUCT SPEC					
MATERIAL		FINISH	APPLICATION SPEC	SIZE	CAGE CODE	DRAWING NO	RESTRICTED TO
			WEIGHT	A3	00779	C-1734044	
CUSTOMER DRAWING			SCALE	SHEET	5 OF 5	REV	C

X-ON Electronics

Largest Supplier of Electrical and Electronic Components

Click to view similar products for [I/O Connectors](#) category:

Click to view products by [TE Connectivity](#) manufacturer:

Other Similar products are found below :

[571763P](#) [58098-0628](#) [72.250.1628.2](#) [72.250.2428.2](#) [74720-0505](#) [76.350.0729.0](#) [76871-1403](#) [FCN-244F080-G/1](#) [FCN-260A9920](#) [PCR-E36PM](#) [PCS-XE26MA+](#) [G38A71314B](#) [1571250010](#) [157-22500-3](#) [MS3471L14-19P L/C](#) [172501-4002](#) [172501-6002](#) [FCN-260C008-A/L0](#) [FCN-260C024-AL0](#) [FCN-261Z008](#) [2000314-1](#) [200331-1](#) [PCR-E36FC+](#) [PCS-E28FS+](#) [PCS-XE26SLFD+](#) [PCS-XE26SLFDT+](#) [G730VID08BDC24](#) [U90B2054081210](#) [38113800006](#) [DP3AR020WQ1R200](#) [Z4.102.0680.0](#) [500-1040](#) [500-1052](#) [500-1054](#) [ZP-4008-66L](#) [0709821002](#) [DX40-20P\(55\)](#) [5554841-1](#) [MS3474W18-8P-LC*](#) [U90B3054061110](#) [U65-E04-4020](#) [ZPF000000000097891](#) [747360449](#) [10099439-003C-TRLF](#) [10137239-0021LF](#) [E9320-001-01](#) [10137239-0011LF](#) [70289-001LF](#) [70.060.1028.0](#) [109029-ZZ](#)