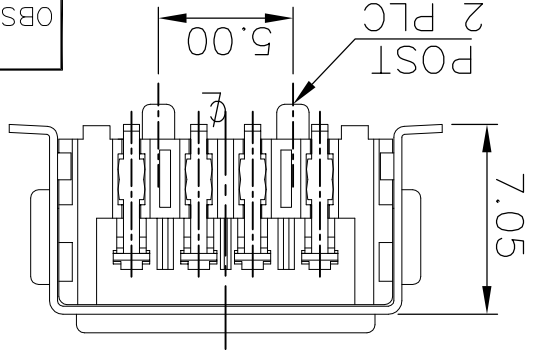
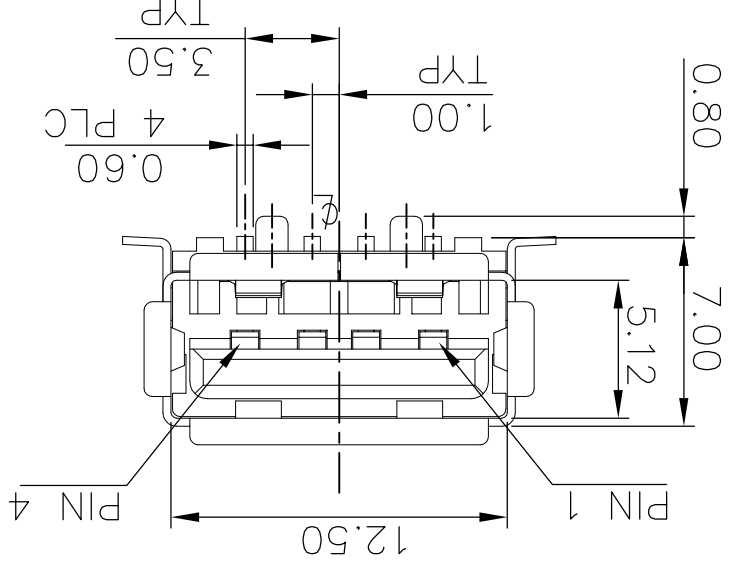
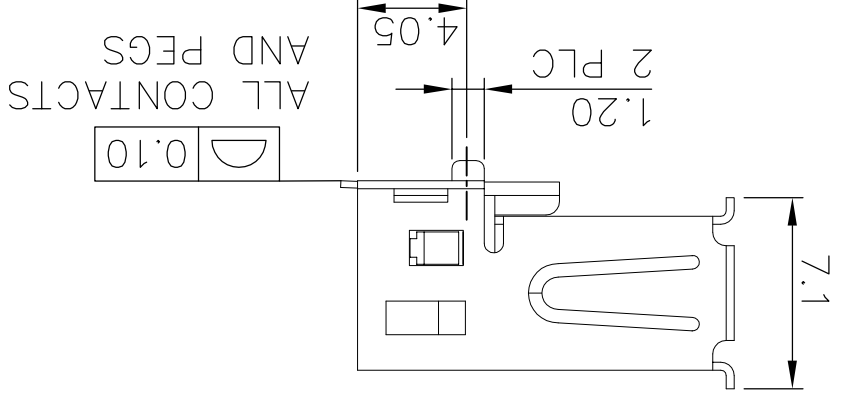
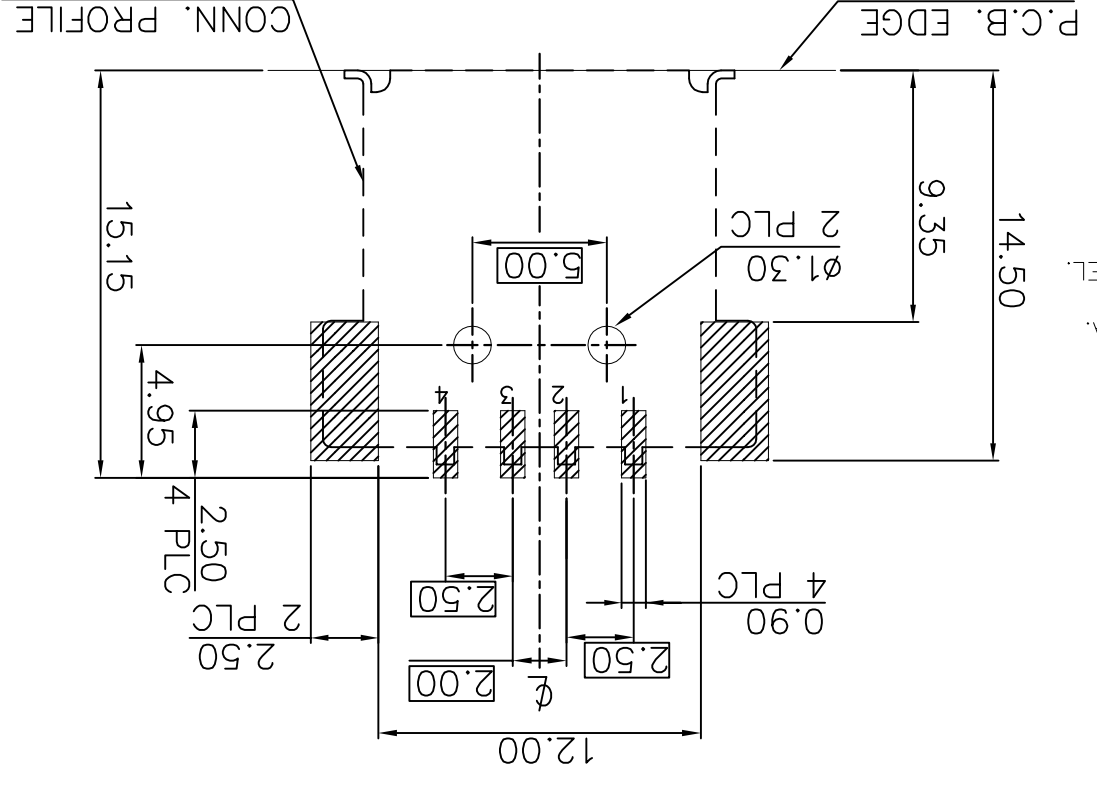


CUSTOMER DRAWING		SCALE	SHEET 1 OF 4	REV B4
WEIGHT 1.82 GRAMS		SIZE A3	CAGE CODE 00779	DRAWING NO 1734082
501-57579		PRODUCT SPEC 108-57505	APPLIC. SPEC	
APVD W.J. KE 200C12005		NAME	USB CON, RCPT, ASS'Y, R/A SMT, A TYPE	
S. HSU 200C12005		CHK	TF Connectivity	
O. HU 200C12005		DWN	TF Connectivity	
200C12005		THIS DRAWING IS A CONTROLLED DOCUMENT.		
TOLERANCES UNLESS OTHERWISE SPECIFIED:		DIMENSIONS: MM		
FINISH		SEE NOTE		
ANGLES		SEE NOTE		
± 0.15		SEE NOTE		
± 0.25		SEE NOTE		
± 0.35		SEE NOTE		
± 0.50		SEE NOTE		
± 0.75		SEE NOTE		

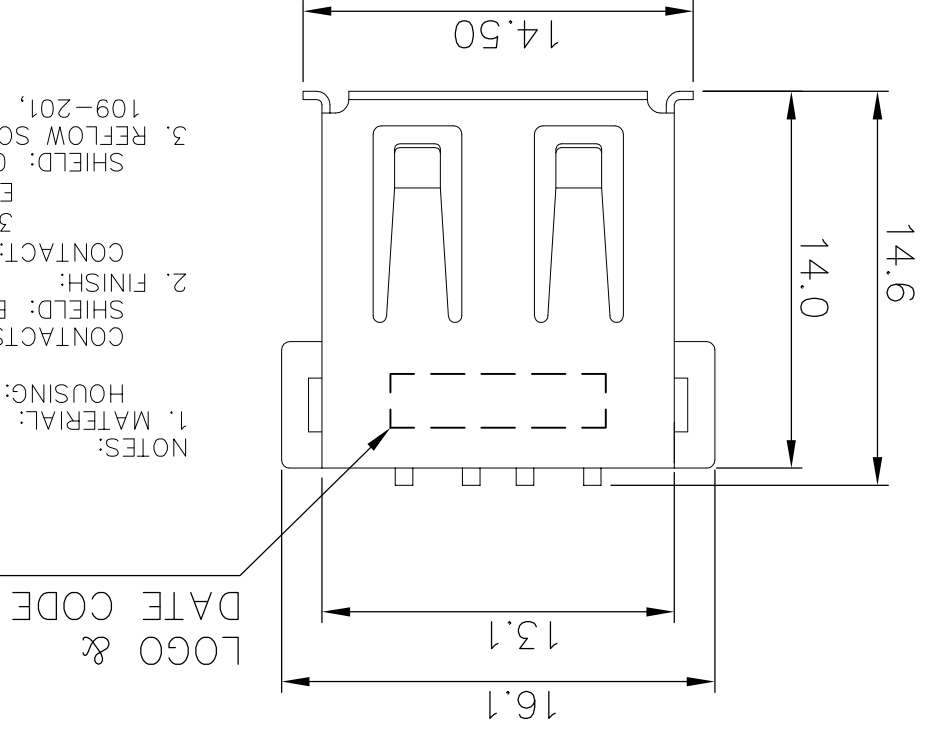
POST	COLOR	PART NUMBER
OBsolete	WHITE	1734082-1
OBsolete	BLACK	1734082-2
OBsolete	WHITE	1-1734082-1
OBsolete	BLACK	1-1734082-2



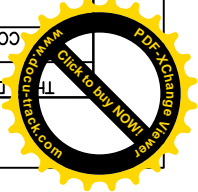
RECOMMENDED P.C.B. LAYOUT (THICKNESS=1.6mm)
(TOP VIEW) TOLERANCES: ±0.05

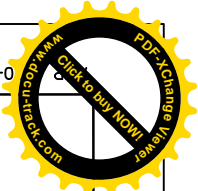


- NOTES:
1. MATERIAL: THERMOPLASTIC WITH 30% GF, UL 94V-0, COLOR: (SEE TABLE). CONTACTS: PHOSPHOR BRONZE, THICKNESS=0.25mm. SHIELD: BRASS, THICKNESS=0.30mm.
 2. FINISH: CONTACT: 0.762µm [30µ"] MIN. GOLD PLATED ON CONTACT AREA. ENTIRE CONTACT UNDERPLATED 1.27µm [50µ"] MIN. NICKEL. SHIELD: 0.762µm [30µ"] MIN. NICKEL OVER 0.762µm [30µ"] MIN.
 3. REFLOW SOLDER CAPABLE TO 260°C PER TE TEST SPEC. 109-201, CONDITION B.



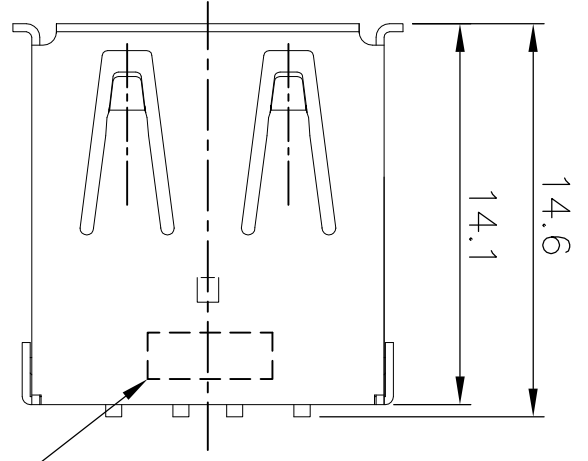
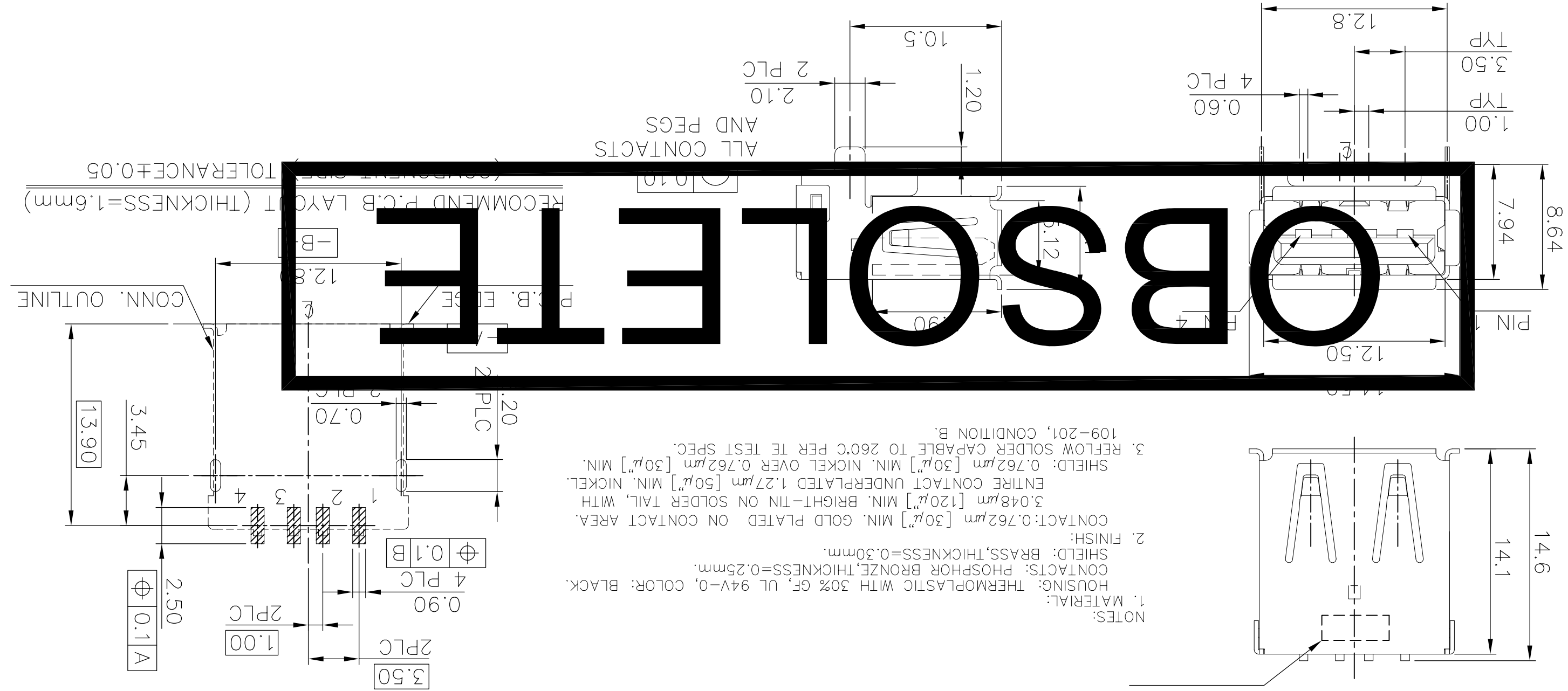
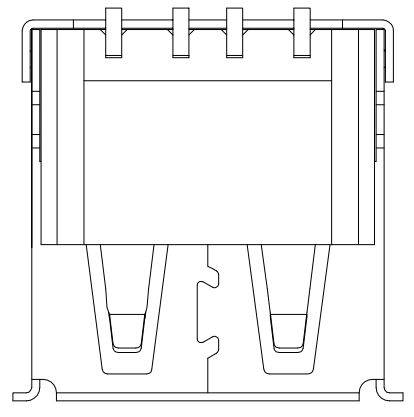
LOC	DW	DIST	
P	LTR		
REVISIONS			
DATE	DESCRIPTION	DATE	APVD
17AUG15	REVISED. (ECR-15-011655)		S.C.H.L.





CUSTOMER DRAWING		SCALE	SHEET 2 OF 4	REV B4
WEIGHT		SIZE	CAGE CODE	DRAWING NO
APPLICATION SPEC		PRODUCT SPEC	USB CON, RCPT, ASS'Y, R/A SMT, A TYPE	
APVD		NAME	TE Connectivity	
CHK		THIS DRAWING IS A CONTROLLED DOCUMENT.		
DWN		TOLERANCES UNLESS OTHERWISE SPECIFIED:		
FINISH		DIMENSIONS: MM		
ANGLES		0 PLC		
± .3		1 PLC		
± .15		2 PLC		
± .025		3 PLC		
± .015		4 PLC		
SEE NOTE		SEE NOTE		

PART NUMBER
2-1734082-1



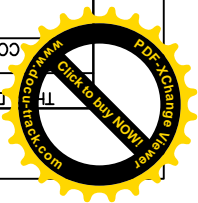
LOC	DW	DIST	P	LTR	DESCRIPTION	DATE	DWN	APVD
					SEE SHEET 1.			

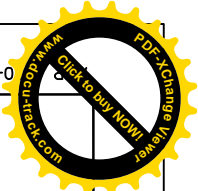
LOGO & DATE CODE

RELEASED FOR PUBLICATION AUG 2006

ALL RIGHTS RESERVED.

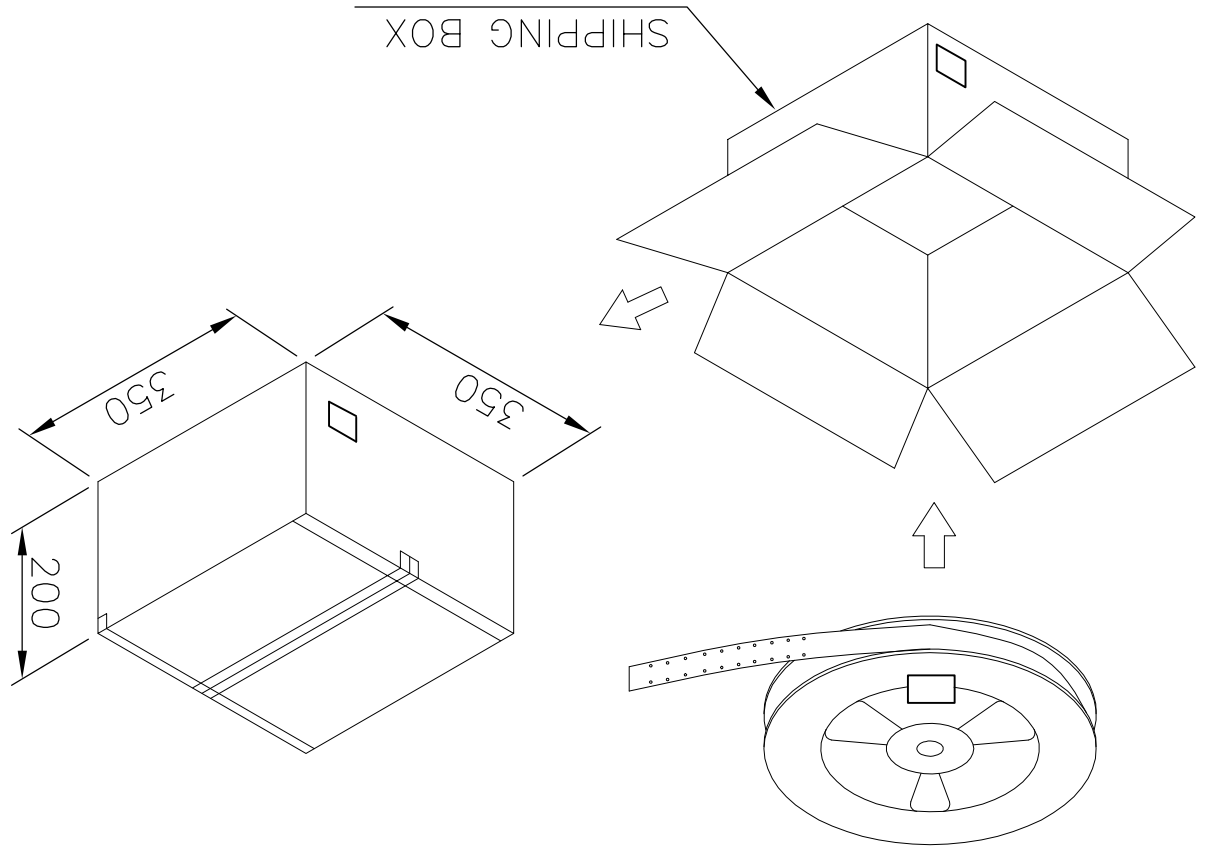
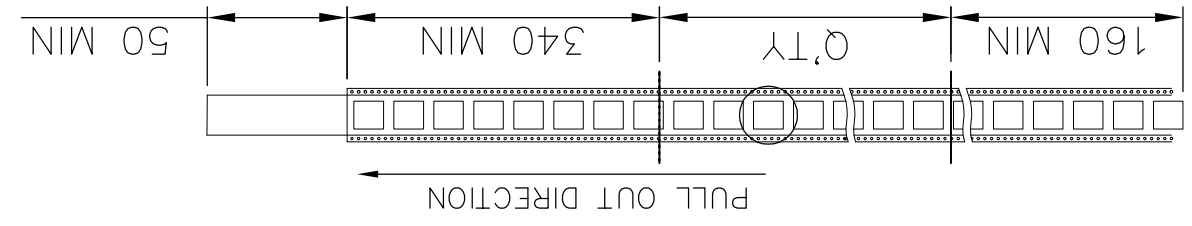
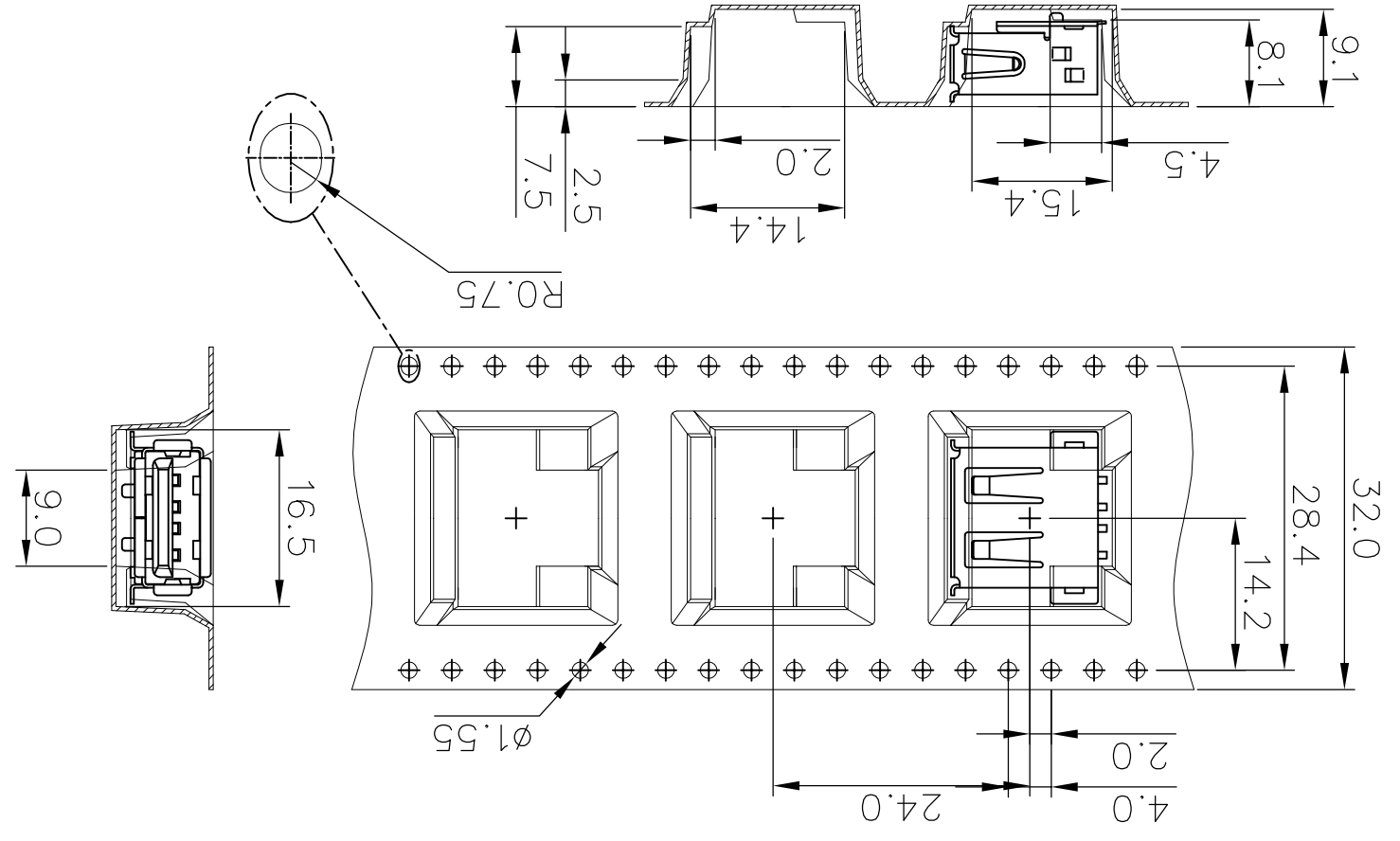
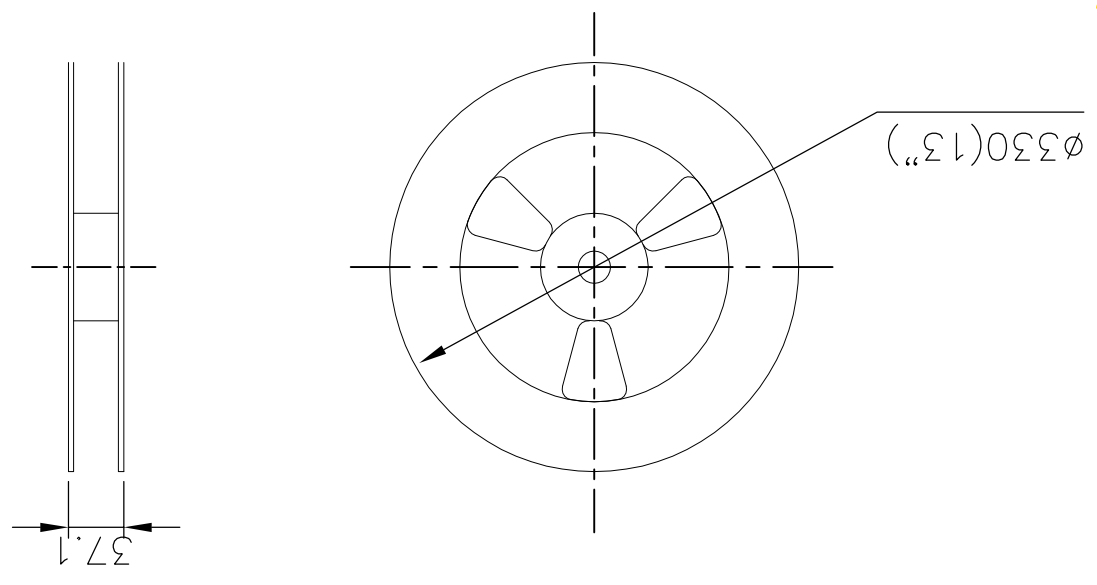
BY TYCO ELECTRONICS CORPORATION. COPYRIGHT 2009



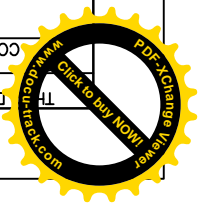


CUSTOMER DRAWING		SCALE		SHEET 3 OF 4		REV B4	
MATERIAL		WEIGHT		SIZE		CAGE CODE	
FINISH		APPLICATIO SPEC		PRODUCT SPEC		APVD	
DIMENSIONS: MM		TOLERANCES UNLESS OTHERWISE SPECIFIED:		NAME		USB CON, RCPT, ASS'Y, R/A SMT, A TYPE	
0 PLC ±		1 PLC ±		2 PLC ±		3 PLC ±	
4 PLC ±		ANGLES		APVD		DWN	
THIS DRAWING IS A CONTROLLED DOCUMENT.		CHK		TE Connectivity		STC	

PART NUMBER	REEL / REELS / BOX	QUANTITY (PCS)	G/W (kg)	N/W (kg)
1-1734082-2	5	1500	5.36	2.73
1-1734082-1				
1734082-2				
1734082-1				



LOC	DW	P	LTR	DESCRIPTION	DATE	DWN	APVD
				SEE SHEET 1.			



X-ON Electronics

Largest Supplier of Electrical and Electronic Components

Click to view similar products for [USB Connectors](#) category:

Click to view products by [TE Connectivity](#) manufacturer:

Other Similar products are found below :

[10033527-N3112MLF](#) [17-210561](#) [GMCB05B11124H1EU](#) [17-200931](#) [65-647-8-BK-BU](#) [690-010-295-484](#) [73725-1191BLF](#) [950](#) [E8144-B01021-L](#) [A-USB A-LP-SMT-C](#) [A-USB B-TOP-C](#) [MUSBA511N5](#) [MUSBB15131](#) [MUSBC111M5](#) [MUSBD11135](#) [217450-1](#) [CA 6 W LD](#)
[896-30-004-00-000000](#) [KUSBVX-BS1N-W30](#) [KUSBX-AP-KIT-SCBLK](#) [KUSBX-AS2N-W](#) [KUSBX-SMT2AP1S-W](#) [KUSBX-SMTAS1NBTR](#) [KUSBX-SMTBS1NBTR](#) [30-498-6](#) [SK-60A-2](#) [17-200261](#) [17-210051](#) [1734082-1](#) [FK-37-32SL](#) [30-1574](#) [30-470](#) [30-489](#) [30-541](#) [30-572-3](#) [30-9503](#) [M9177/2-1](#) [MAB 5 S](#) [MIKROE-1451](#) [33UBBR-04SW11R](#) [USBFTV2PEM2G](#) [USBFTVC6ZN](#) [USBFTVSCCG](#)
[KUSBX-AS2N-W30](#) [KUSBX-SLAS1N-W](#) [KUSBX-SLAS1N-W30](#) [1-1734084-2](#) [E8110-001-01](#) [MUSBC11135](#) [NK-27-32SL](#)