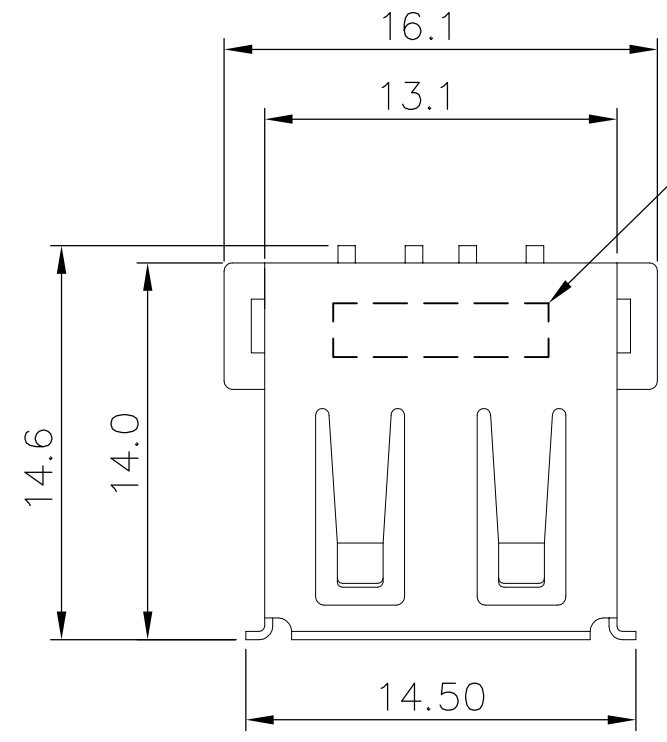
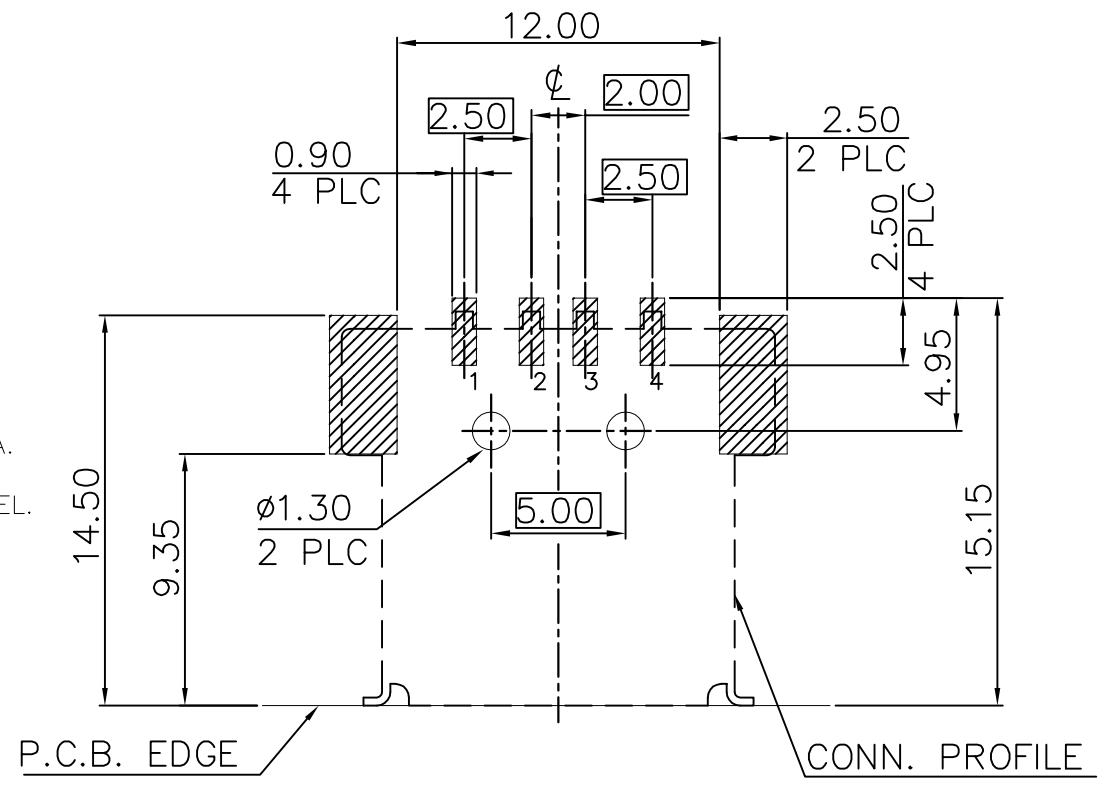


LOC	DIST	REVISIONS			
P	LTR	DESCRIPTION	DATE	DWN	APVD
DW	/	B4	REVISED. (ECR-15-011655)	17AUG15	S.C. H.L.

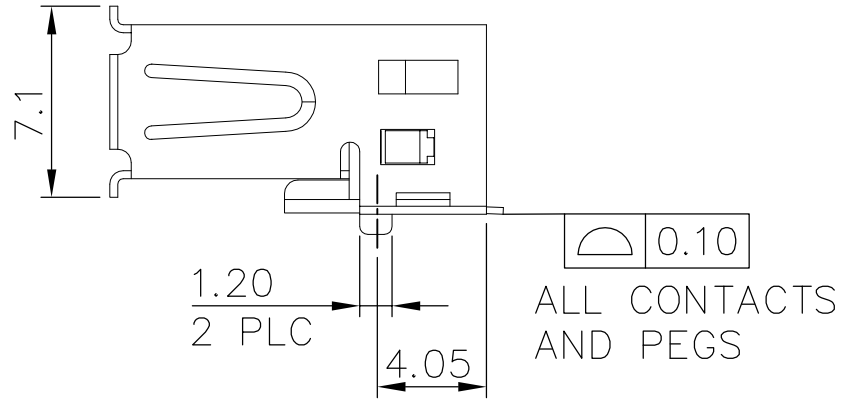
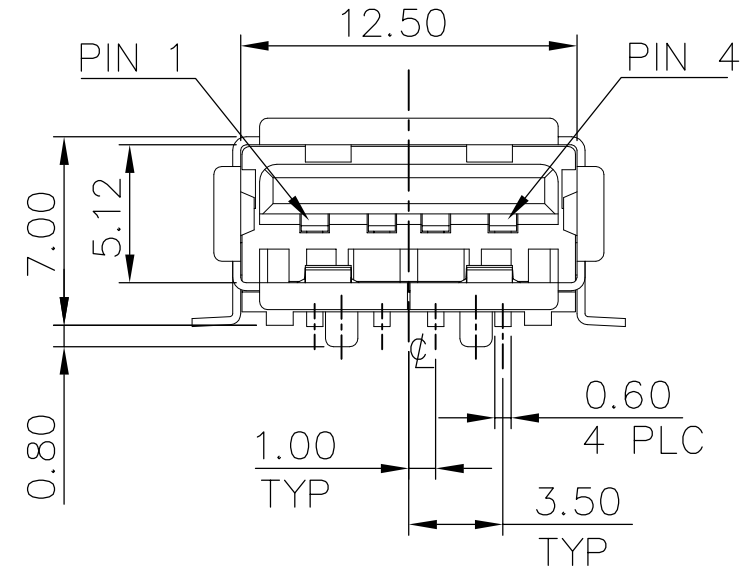


LOGO &  
DATE CODE

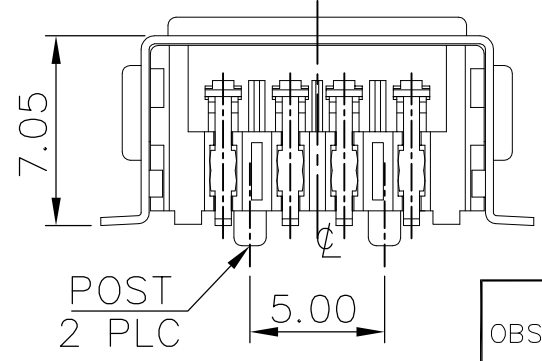
- NOTES:
- MATERIAL:  
HOUSING: THERMOPLASTIC WITH 30% GF, UL 94V-0, COLOR: (SEE TABLE).  
CONTACTS: PHOSPHOR BRONZE, THICKNESS=0.25mm..  
SHIELD: BRASS, THICKNESS=0.30mm.
  - FINISH:  
CONTACT: 0.762µm [30µ"] MIN. GOLD PLATED ON CONTACT AREA.  
3.048µm [120µ"] MIN. BRIGHT-TIN ON SOLDER TAIL, WITH ENTIRE CONTACT UNDERPLATED 1.27µm [50µ"] MIN. NICKEL.  
SHIELD: 0.762µm [30µ"] MIN. NICKEL OVER 0.762µm [30µ"] MIN.
  - REFLOW SOLDER CAPABLE TO 260°C PER TE TEST SPEC. 109-201, CONDITION B.



RECOMMENDED P.C.B. LAYOUT (THICKNESS=1.6mm)  
(TOP VIEW) TOLERANCES: ±0.05

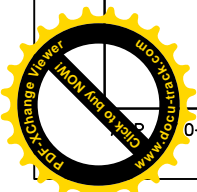


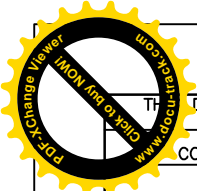
ALL CONTACTS AND PEGS



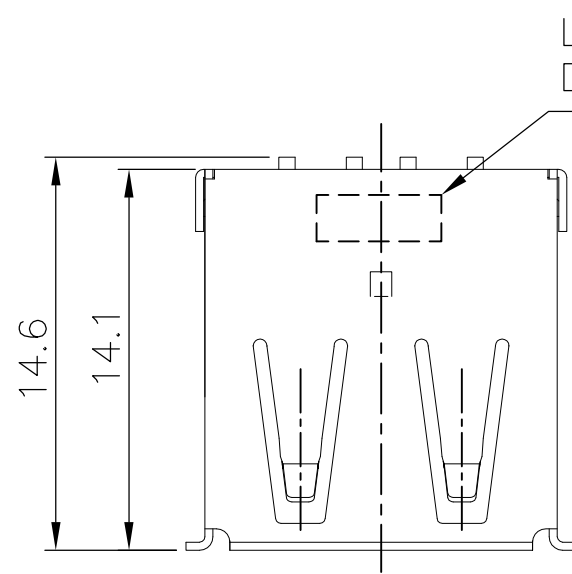
OBSOLETE	W/	BLACK	1-1734082-2
		WHITE	1-1734082-1
OBSOLETE	W/O	<del>BLACK</del>	<del>1734082-2</del>
OBSOLETE		<del>WHITE</del>	<del>1734082-1</del>
	POST	COLOR	PART NUMBER

THIS DRAWING IS A CONTROLLED DOCUMENT.		DWN	O. HU	20OCT2005	TE Connectivity
DIMENSIONS: MM		CHK	S. HSU	20OCT2005	
		APVD	W.J. KE	20OCT2005	
TOLERANCES UNLESS OTHERWISE SPECIFIED:		PRODUCT SPEC		NAME	
0 PLC ± - 1 PLC ± 0.35 2 PLC ± 0.25 3 PLC ± 0.15 4 PLC ± - ANGLES ± 3°		APPLICATION SPEC		108-57505	
MATERIAL		WEIGHT		SIZE	
SEE NOTE		1.82 GRAMS		A300779 C=1734082	
FINISH		CUSTOMER DRAWING		RESTRICTED TO	
SEE NOTE				SCALE	
				SHEET 1 OF 4	
				REV B4	

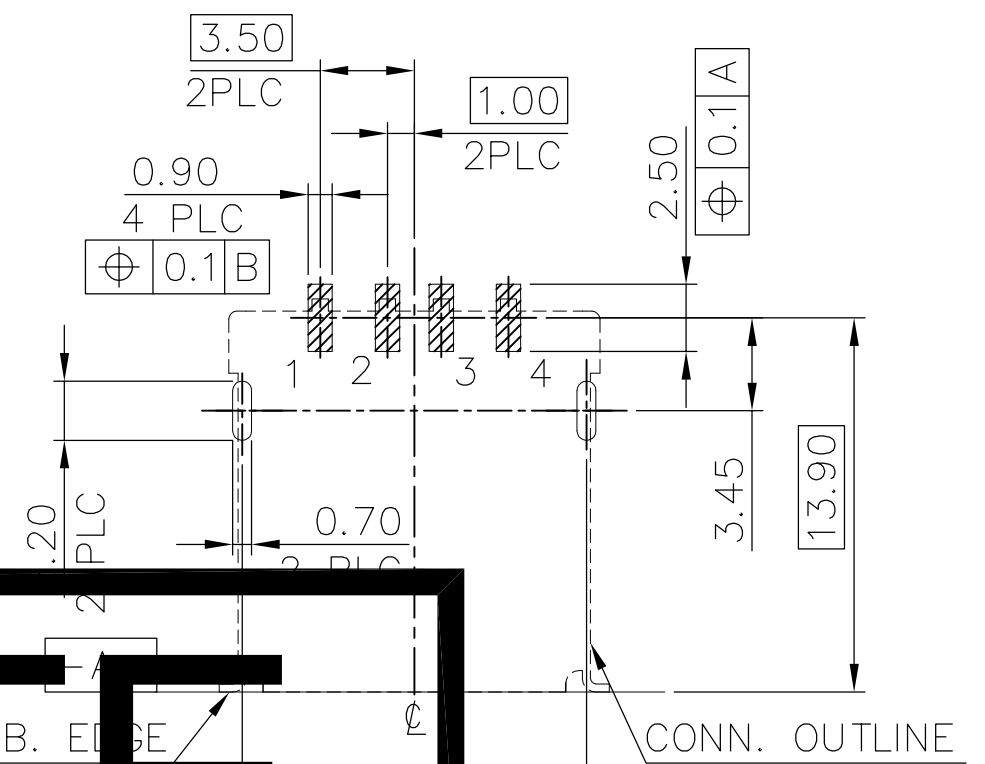




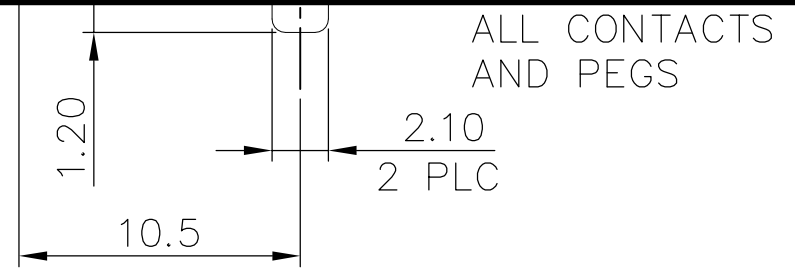
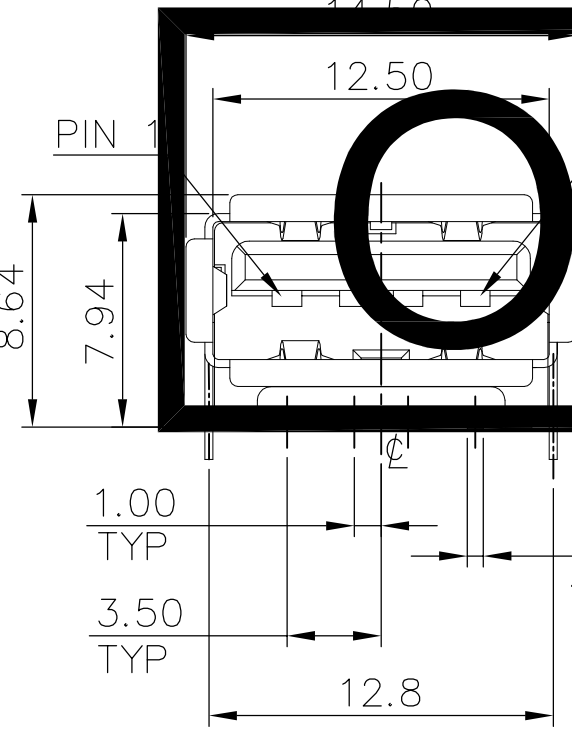
LOC	DIST	REVISIONS			
P	LTR	DESCRIPTION	DATE	DWN	APVD
		SEE SHEET 1.			



- NOTES:
- MATERIAL:  
 HOUSING: THERMOPLASTIC WITH 30% GF, UL 94V-0, COLOR: BLACK.  
 CONTACTS: PHOSPHOR BRONZE, THICKNESS=0.25mm.  
 SHIELD: BRASS, THICKNESS=0.30mm.
  - FINISH:  
 CONTACT: 0.762μm [30μ"] MIN. GOLD PLATED ON CONTACT AREA.  
 3.048μm [120μ"] MIN. BRIGHT-TIN ON SOLDER TAIL, WITH ENTIRE CONTACT UNDERPLATED 1.27μm [50μ"] MIN. NICKEL.  
 SHIELD: 0.762μm [30μ"] MIN. NICKEL OVER 0.762μm [30μ"] MIN.
  - REFLOW SOLDER CAPABLE TO 260°C PER TE TEST SPEC. 109-201, CONDITION B.

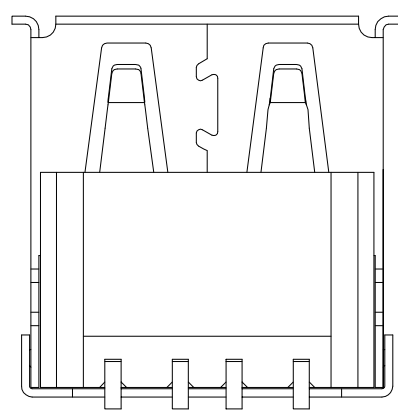


# OBSOLETE



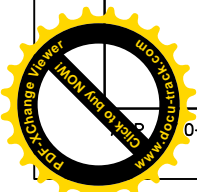
RECOMMEND P.C.B LAYOUT (THICKNESS=1.6mm)  
 (COMPONENT SIDE) TOLERANCE ±0.05

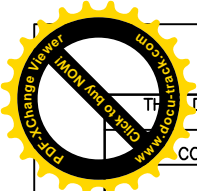
ALL CONTACTS AND PEGS



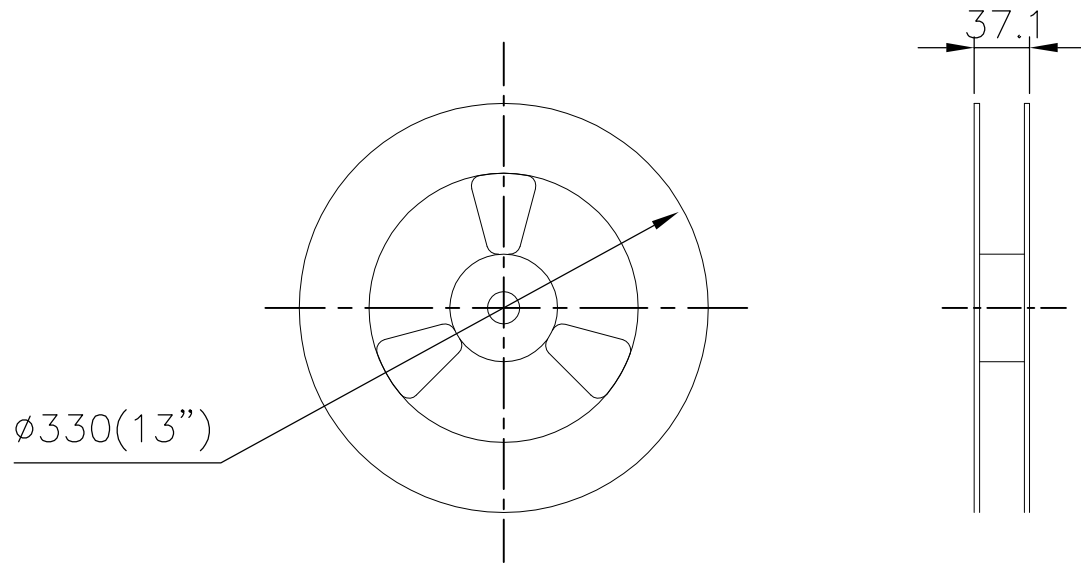
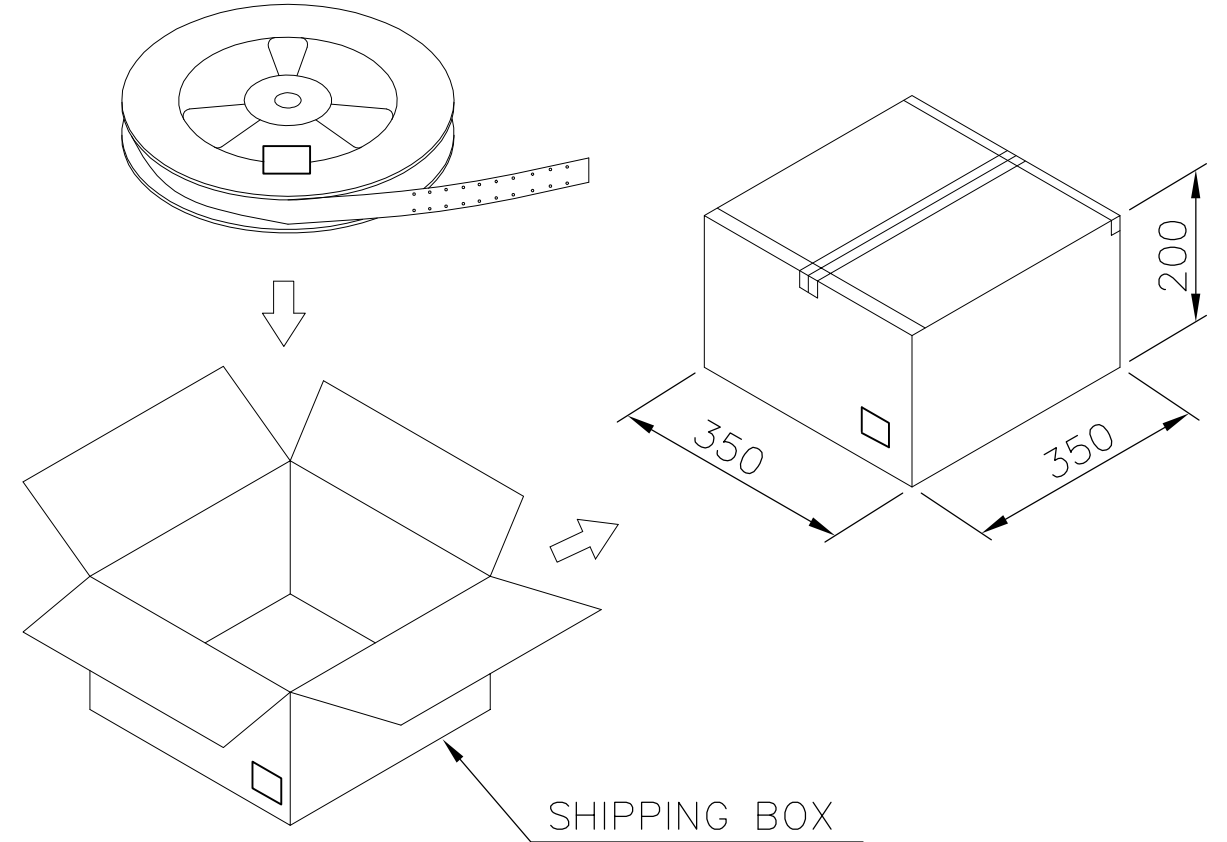
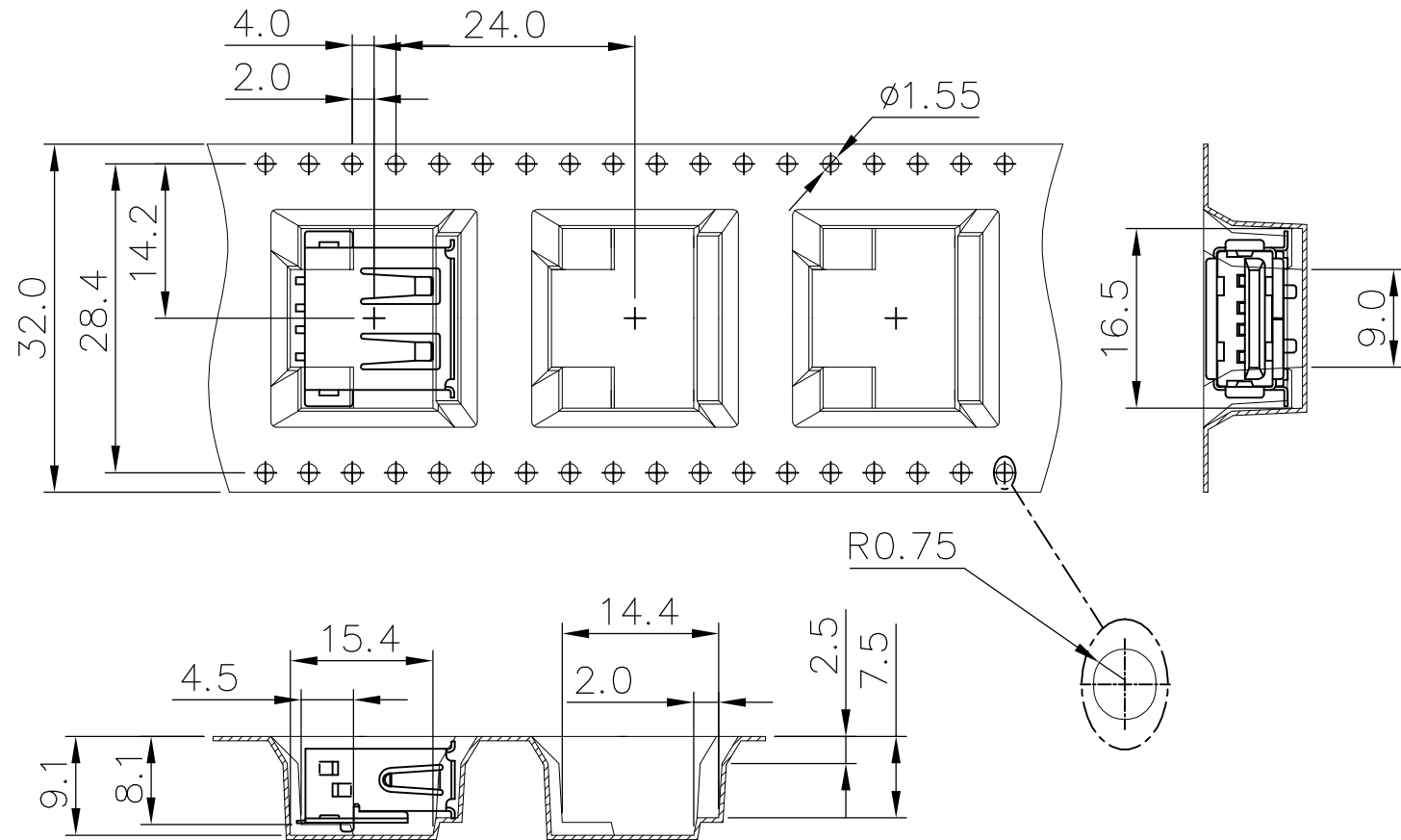
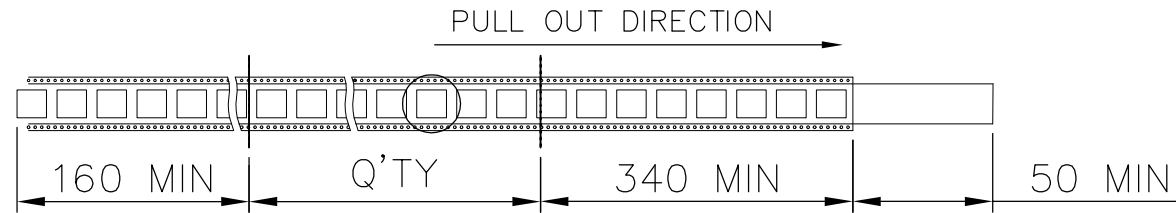
2-1734082-1  
 PART NUMBER

THIS DRAWING IS A CONTROLLED DOCUMENT.		DWN	TE Connectivity	
DIMENSIONS: MM		CHK		
TOLERANCES UNLESS OTHERWISE SPECIFIED: 0 PLC ± - 1 PLC ± 0.35 2 PLC ± 0.25 3 PLC ± 0.15 4 PLC ± - ANGLES ± 3°		APVD	NAME	
MATERIAL		PRODUCT SPEC	USB CON, RCPT, ASS'Y, R/A SMT, A TYPE	
SEE NOTE	FINISH	APPLICATION SPEC	SIZE	RESTRICTED TO
SEE NOTE	SEE NOTE	WEIGHT	A300779	
		CUSTOMER DRAWING	C=1734082	
		SCALE	DRAWING NO	REV
				B4
		SHEET	2 OF 4	



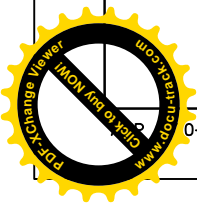


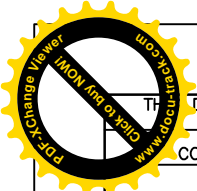
LOC	DIST	REVISIONS			
P	LTR	DESCRIPTION	DATE	DWN	APVD
		SEE SHEET 1.			



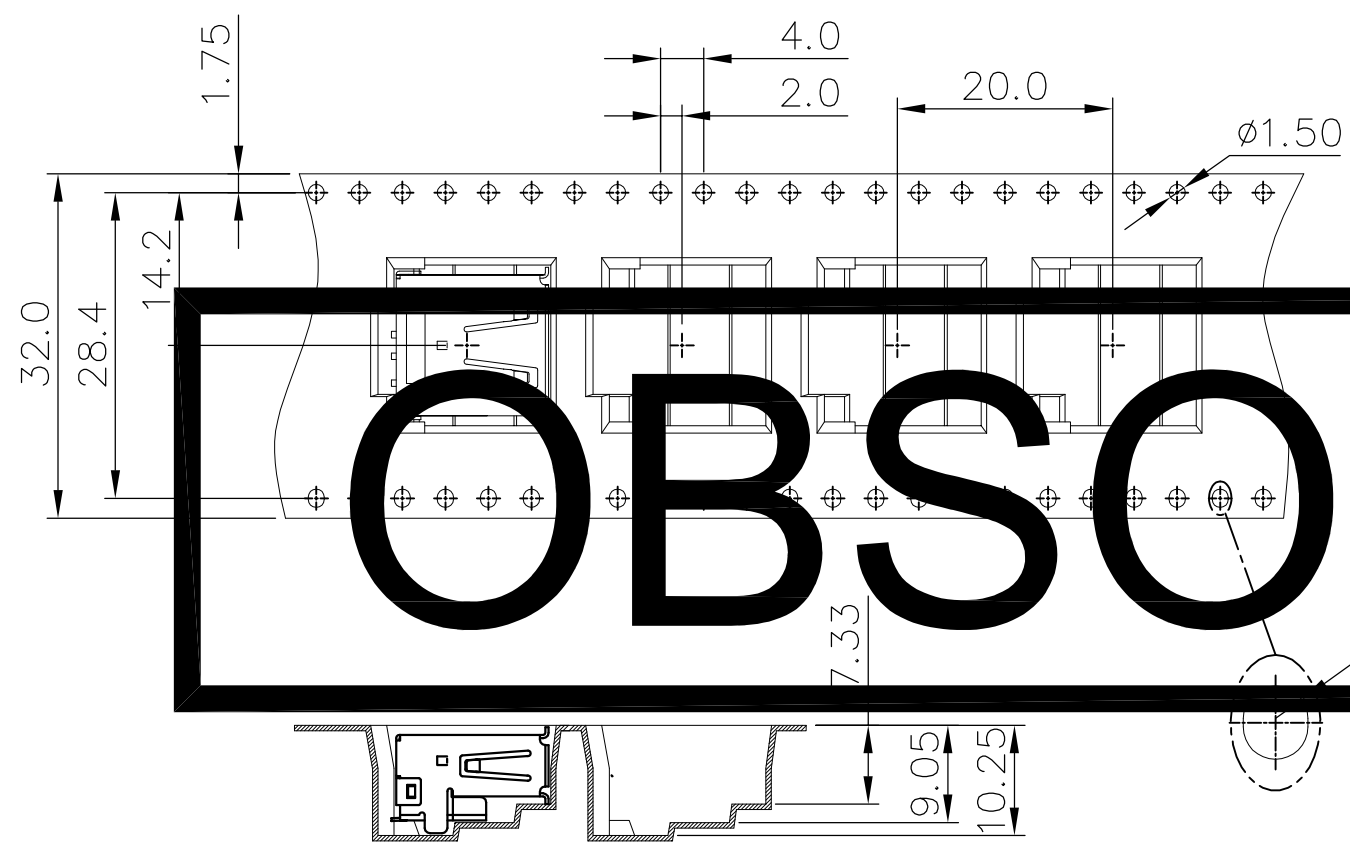
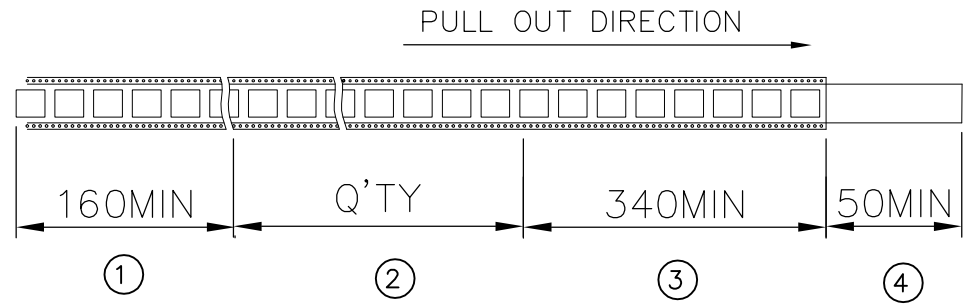
300	5	1500	5.36	2.73	1-1734082-2
					1-1734082-1
					<del>1734082-2</del>
					<del>1734082-1</del>
PCS/REEL	REELS/BOX	QUANTITY (PCS)	G/W (Kg)	N/W (Kg)	PART NUMBER

THIS DRAWING IS A CONTROLLED DOCUMENT.		DWN	<b>STE</b> TE Connectivity		
DIMENSIONS: MM		CHK			
TOLERANCES UNLESS OTHERWISE SPECIFIED:		APVD	NAME		
0 PLC ± -		PRODUCT SPEC	USB CON, RCPT, ASS'Y, R/A SMT, A TYPE		
1 PLC ± -		APPLICATION SPEC	SIZE	CAGE CODE	DRAWING NO
2 PLC ± -		WEIGHT	A300779	C=1734082	RESTRICTED TO
3 PLC ± -		CUSTOMER DRAWING	SCALE		SHEET
4 PLC ± -			-		3 OF 4
ANGLES ± -					REV B4
FINISH					
MATERIAL					

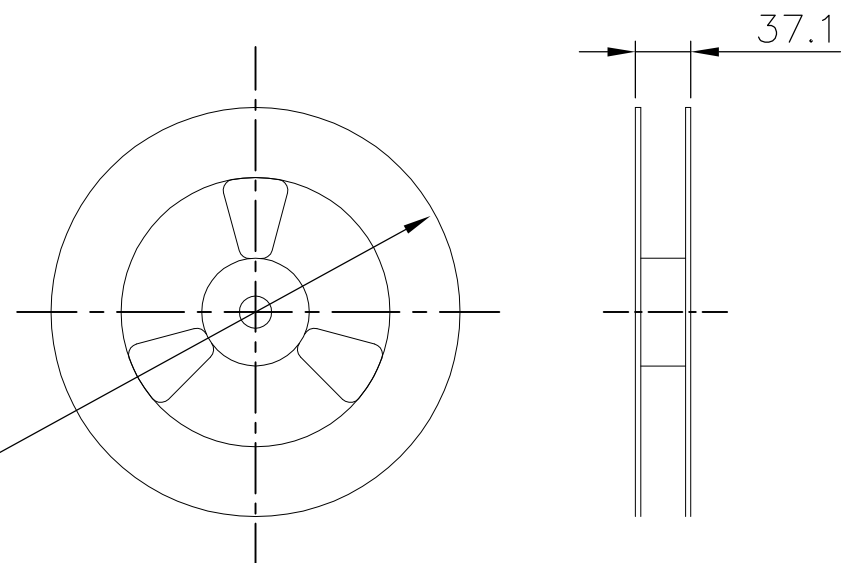
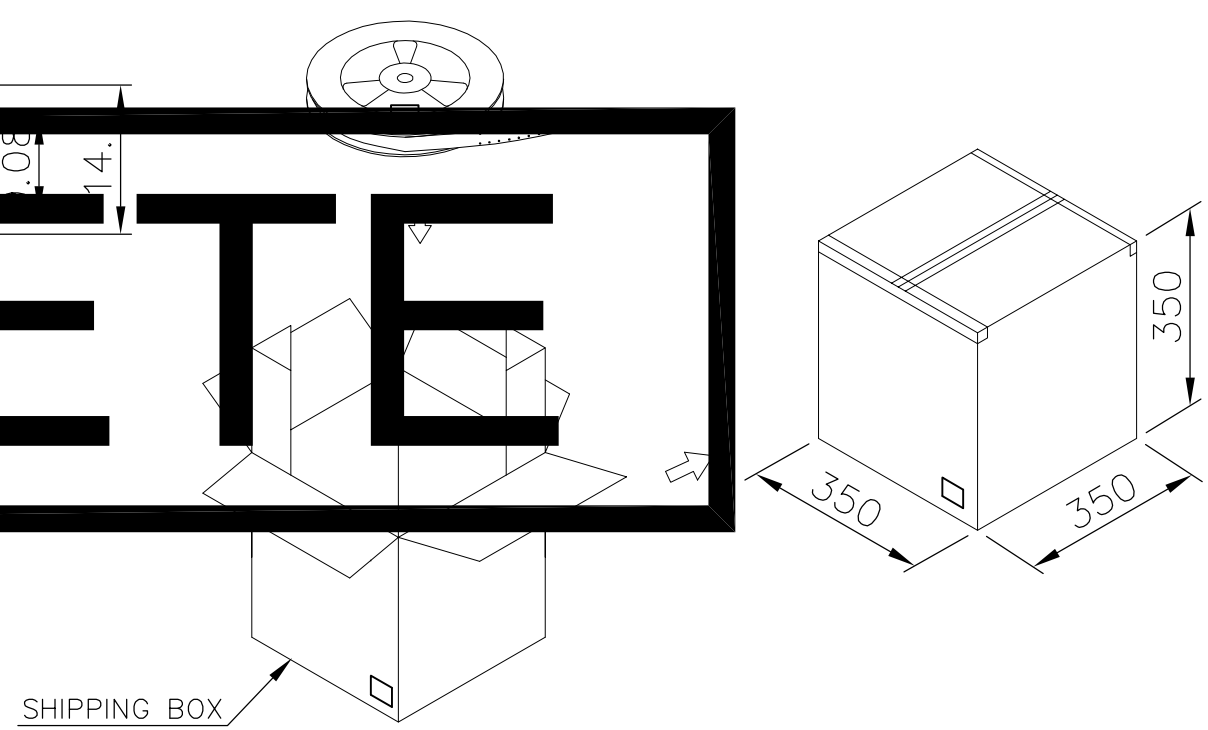




LOC	DIST	REVISIONS			
P	LTR	DESCRIPTION	DATE	DWN	APVD
		SEE SHEET 1.			

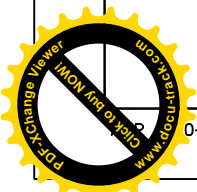


**OBSOLETE**



300	9	2700	12	5.94	<del>1734082</del>
PCS/REEL	REELS/CARTON	QUANTITY (PCS)	G/W (Kg)	N/W (Kg)	PART NUMBER

THIS DRAWING IS A CONTROLLED DOCUMENT.		DWN	TE Connectivity		
DIMENSIONS: MM		CHK			
TOLERANCES UNLESS OTHERWISE SPECIFIED:		APVD	NAME		
0 PLC ± -		PRODUCT SPEC	USB CON, RCPT, ASS'Y, R/A SMT, A TYPE		
1 PLC ± -		APPLICATION SPEC	SIZE	CAGE CODE	DRAWING NO
2 PLC ± -		WEIGHT	A300779	C=1734082	RESTRICTED TO
3 PLC ± -		CUSTOMER DRAWING	SCALE		SHEET 4 OF 4
4 PLC ± -			REV		B4
ANGLES ± -					
FINISH					
MATERIAL					



## X-ON Electronics

Largest Supplier of Electrical and Electronic Components

*Click to view similar products for [TE Connectivity](#) manufacturer:*

Other Similar products are found below :

[D38999/24FJ4AN](#) [570416-000](#) [CLTEQ-M81CE-SSRELAY-4-20V](#) [4-1195131-0](#) [650069-000](#) [SMD100-2](#) [358838-000](#) [CB-1022B-78](#)  
[RM707012](#) [RP410012](#) [MMS42](#) [1-640426-8](#) [2EDL4CM](#) [DTS20W19-11PD-3028-LC](#) [RM202615](#) [NC6-P104-06](#) [MSPS103B](#) [DTS26F21-](#)  
[41HE-LC](#) [DTS26F21-41AE](#) [DTS26F21-41PE-LC](#) [DTS26F21-11SE-3028-LC](#) [30DCB6](#) [1932144-1](#) [293545-4](#) [LVR125S](#) [MS27466T25F4PB](#)  
[CKB-38-78010](#) [TR04AI-TINELLOCKRING](#) [1206SFF150F/63-2](#) [D38999/20JB35HA](#) [TE1500A2R2J](#) [D38999/20WC8BB](#) [DTS24F19-11SC-](#)  
[3028-LC](#) [D38999/24WG11HA](#) [D38999/24WG11HN](#) [MS27467T21F11H](#) [DJT16E21-11HA](#) [MS27467T21F35J](#) [MS27467T21F11J](#)  
[MS27467T21F16H-LC](#) [MS27467T21F35H](#) [MS27467T21F41H-LC](#) [1206SFH150F/24-2](#) [RP330024](#) [DJT16E21-11PA-LC](#) [DJT16E21-11HA-](#)  
[LC](#) [DJT16E21-11AA](#) [MS27467T21B11JA](#) [DJT16E21-11JA](#) [MS27467T21B11JA-LC](#)