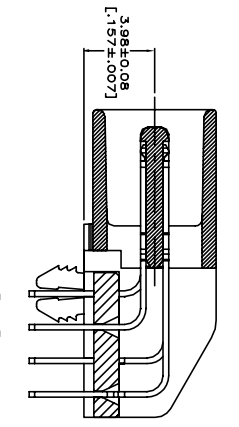
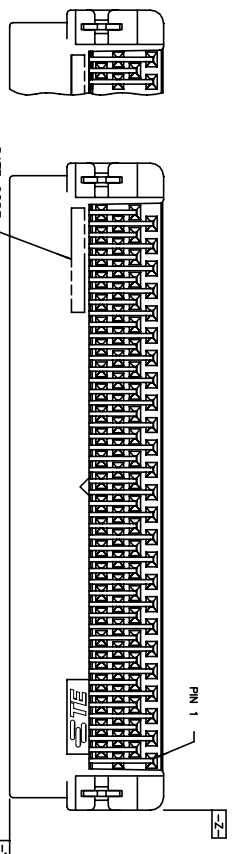
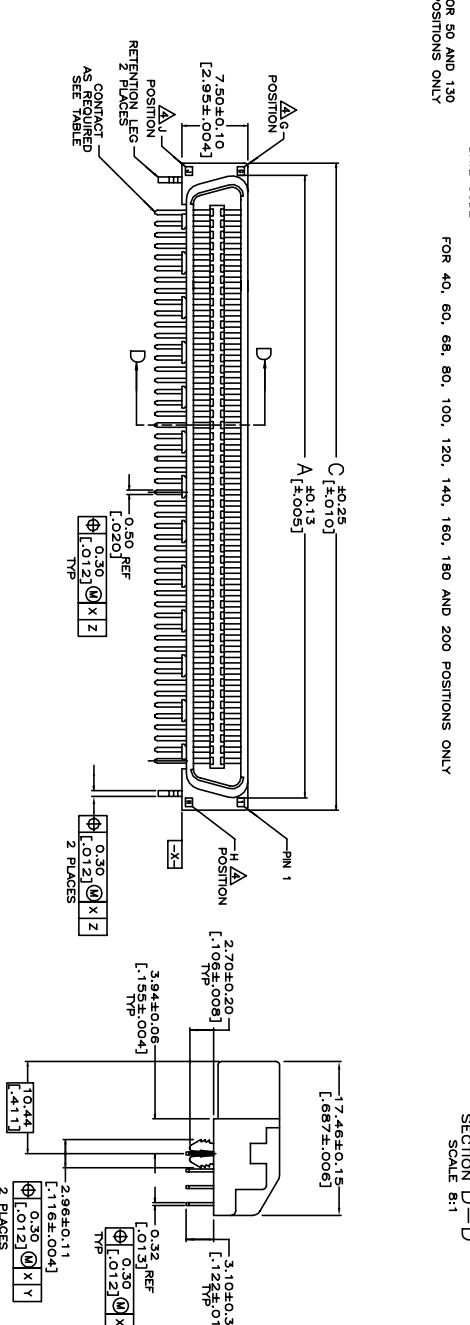


P	LTR	DESCRIPTION	DATE	DMN	APVD
H1		ADDED NEW DASH 5-4 PER NEW REQUEST	26APR2021	SH	SZ

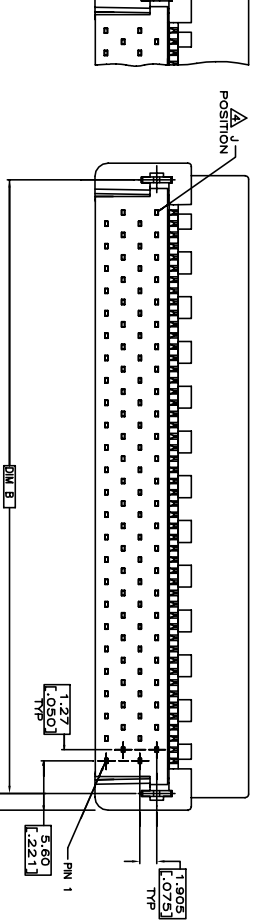
REVISIONS



POS.	A	B	C	D
40	35.33 [1.391]	31.53 [1.241]	32.47 [1.278]	20 40 21
50	41.68 [1.641]	37.88 [1.491]	38.82 [1.528]	25 50 26
60	48.03 [1.891]	44.23 [1.741]	45.17 [1.778]	30 60 31
68	53.11 [2.091]	49.31 [1.941]	50.25 [1.978]	34 68 35
80	60.73 [2.391]	56.93 [2.241]	57.87 [2.278]	40 80 41
100	73.43 [2.891]	69.63 [2.741]	70.57 [2.778]	50 100 51
120	86.13 [3.391]	82.33 [3.241]	83.27 [3.278]	20 120 61
140	98.83 [3.891]	95.03 [3.741]	95.97 [3.778]	70 140 71
160	111.53 [4.391]	107.73 [4.241]	108.67 [4.278]	80 160 81
180	124.23 [4.891]	119.43 [4.691]	120.37 [4.728]	90 180 91
200	136.93 [5.391]	131.13 [5.141]	132.07 [5.178]	100 200 101

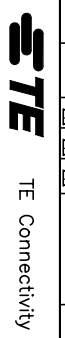


POS.	A	B	C	D
140	174.63 [6.875]	170.83 [6.725]	171.77 [6.762]	70 140 71
160	187.33 [7.375]	183.53 [7.225]	184.47 [7.262]	80 160 81
180	200.03 [7.875]	196.23 [7.725]	197.17 [7.762]	90 180 91
200	212.73 [8.375]	208.93 [8.225]	209.87 [8.262]	100 200 101



POS.	A	B	C	D
40	35.33 [1.391]	31.53 [1.241]	32.47 [1.278]	20 40 21
50	41.68 [1.641]	37.88 [1.491]	38.82 [1.528]	25 50 26
60	48.03 [1.891]	44.23 [1.741]	45.17 [1.778]	30 60 31
68	53.11 [2.091]	49.31 [1.941]	50.25 [1.978]	34 68 35
80	60.73 [2.391]	56.93 [2.241]	57.87 [2.278]	40 80 41
100	73.43 [2.891]	69.63 [2.741]	70.57 [2.778]	50 100 51
120	86.13 [3.391]	82.33 [3.241]	83.27 [3.278]	20 120 61
140	98.83 [3.891]	95.03 [3.741]	95.97 [3.778]	70 140 71
160	111.53 [4.391]	107.73 [4.241]	108.67 [4.278]	80 160 81
180	124.23 [4.891]	119.43 [4.691]	120.37 [4.728]	90 180 91
200	136.93 [5.391]	131.13 [5.141]	132.07 [5.178]	100 200 101

NOTE:
1. MATERIAL: LCP, UL 94V-0, BLACK COLOR.
2. HOUSING: BRASS.
3. CONTACTS: BRASS.
4. BOARDLOOKS: BRASS.
5. FINISH: (SEE TABLE) GOLD PLATED ON CONTACT AREA, MATEL-TIN ON SOLDERPLATE, OVER GOLD FLASH OVER.
6. G, U, H, INDICATE NUMBER OF POSITION MARKED ON ASSEMBLY.
7. WAVE SOLDER CAPABLE TO 265°C PER TEST SPEC.
8. 1.27mm [50µ] MIN. UNDERPLATED.
9. 1.27mm [50µ] MIN. TIN-Cu OVER.
10. 3.81µm [150µ] MIN. MATEL-TIN ON SOLDERPLATE, OVER GOLD FLASH OVER.
11. 1.27mm [50µ] MIN. UNDERPLATED.
12. 1.27mm [50µ] MIN. TIN-Cu OVER.



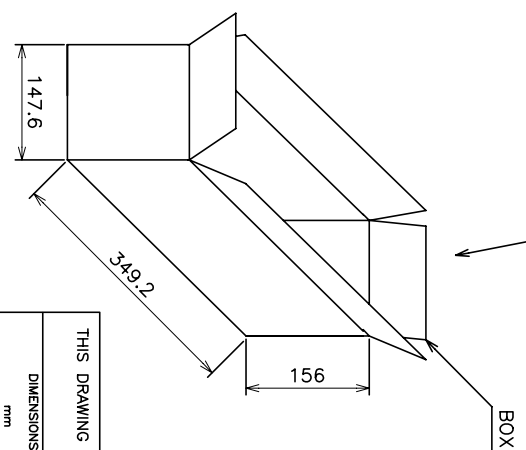
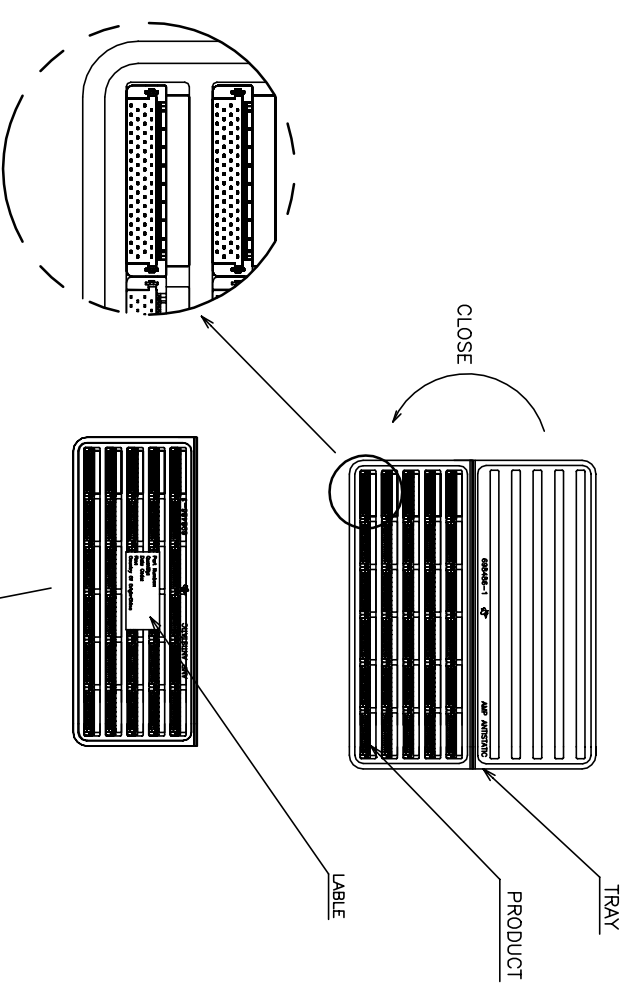
TE Connectivity
PLUG ASSEMBLY, R/A,
BTB, CHAMP .050, SERIES I

DIMENSIONS:		TOLERANCES UNLESS OTHERWISE SPECIFIED:	
mm		0 PIC	±
		1 PIC	±0.25
		2 PIC	±0.2
		3 PIC	±
		4 PIC	±
		5 PIC	±
		ANGLES	±
		FINISH	±

THIS DRAWING IS A CONTROLLED DOCUMENT.	
DMN	31MAR2009
CHK	F. YANG
APVD	S. CHIEN
DATE	31MAR2009
PRODUCT SPEC	108-57876
APPLICATION SPEC	
WEIGHT	0
CUSTOMER DRAWING	

SIZE	QAGE CODE	DRAWING NO	RESTRICTED
A3	00779	1734099	NO

REVISIONS			
P	LTR	DESCRIPTION	DATE
-	-	SEE SHEET 1	-



POS.	QTY/ TRAY	TRAY/ BOX	QTY/ BOX	N/W (KG)	G/W (KG)	PART NUMBER
40	45	10	450	1.71	2.66	5-1734099-4
						6-1734099-8
						3-1734099-8
						1-1734099-8
160	10	10	100	1.18	2.13	5-1734099-6
						3-1734099-6
						1-1734099-6
120	15	10	150	1.20	2.15	5-1734099-2
						3-1734099-2
						1-1734099-2
68	30	10	300	1.69	2.64	4-1734099-7
						2-1734099-7
						1734099-7
60	30	10	300	1.53	2.48	4-1734099-6
						2-1734099-6
						1734099-6
50	35	10	350	1.58	2.56	4-1734099-5
						2-1734099-5
						1734099-5
40	45	10	450	1.71	2.66	4-1734099-4
						2-1734099-4
						1734099-4

THIS DRAWING IS A CONTROLLED DOCUMENT.

STE TE Connectivity

PLUG ASSEMBLY, R/A,
BTB, CHAMP .050, SERIES I

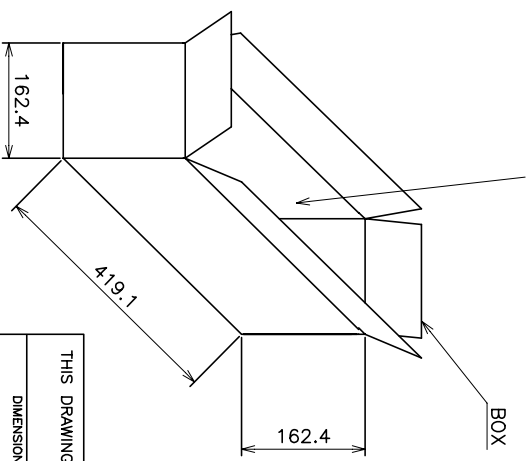
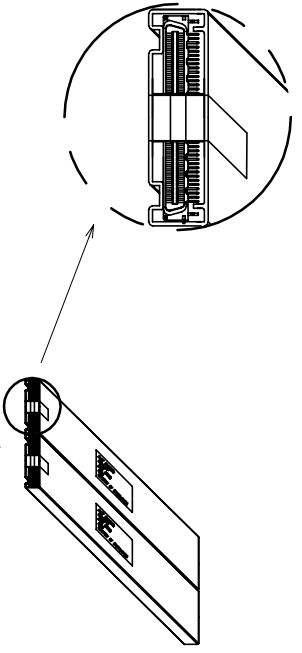
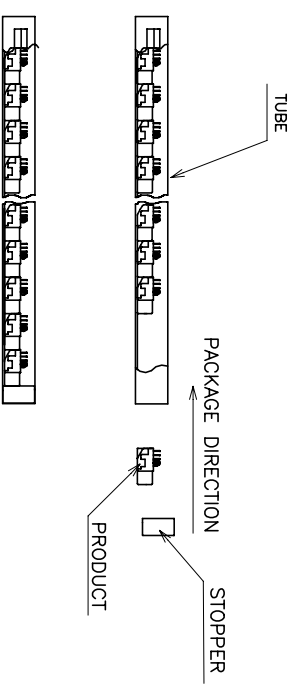
APVD	CHK	DMN
PRODUCT SPEC	APPLICATION SPEC	WEIGHT
0 P/C	1 P/C	2 P/C
3 P/C	4 P/C	ANGLES
FINISH	MATERIAL	

SIZE: A3
 QAGE CODE: 00779
 DRAWING NO: 1734099

RESTRICTED TO: H1

SCALE: 5 OF 5 SHEET

REVISIONS				
P	LTR	DESCRIPTION	DATE	APVD
-	-	SEE SHEET 1	-	-



POS.	QTY/ TUBE	TUBE/ BOX	QTY/ BOX	N/W (KG)	G/W (KG)	PART NUMBER
100	21	16	336	2.60	3.44	5-1734099-0 3-1734099-0 1-1734099-0
80	21	16	336	2.15	3.00	4-1734099-8 2-1734099-8 1734099-8

THIS DRAWING IS A CONTROLLED DOCUMENT.

DIMENSIONS:	TOLERANCES UNLESS OTHERWISE SPECIFIED:
mm	
0 P/C	±
1 P/C	±
2 P/C	±
3 P/C	±
4 P/C	±
ANGLES	±
FINISH	



APVD	CHK	DWG
-	-	-
PRODUCT SPEC		
APPLICATION SPEC		
WEIGHT		
CUSTOMER DRAWING		

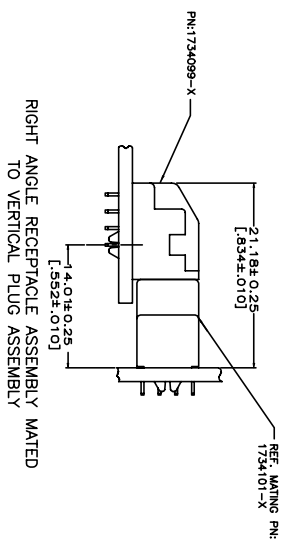
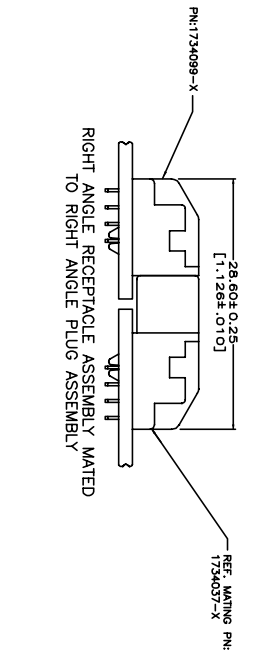
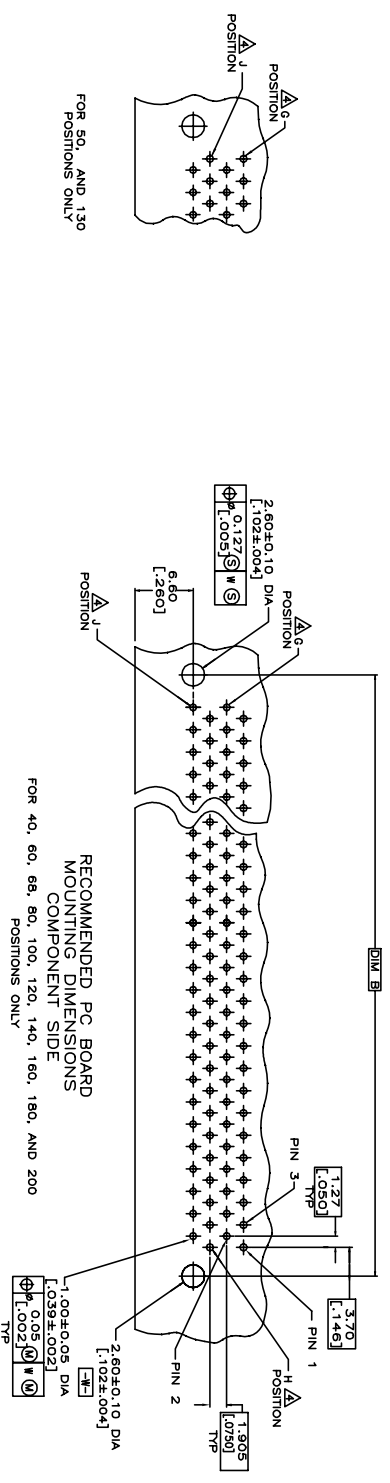
STE TE Connectivity

PLUG ASSEMBLY, R/A,
BTB, CHAMP .050, SERIES I

SIZE A3
CAGE CODE 00779
DRAWING NO. 1734099

SCALE - SHEET 4 OF 5 REV H1

REVISIONS		DATE	DMN	APVD
P	LIR			
	SEE SHEET 1			



THIS DRAWING IS A CONTROLLED DOCUMENT.

DIMENSIONS:	mm	TOLERANCES UNLESS OTHERWISE SPECIFIED:	DMN	CHK	APVD	NAME
0 P/C		±				 TE Connectivity PLUG ASSEMBLY, R/A, BTB, CHAMP .050, SERIES I
1 P/C		±				
2 P/C		±				
3 P/C		±				
4 P/C		±				
ANGLES		±				
MATERIAL						
FINISH						
APPLICATION SPEC.						
WEIGHT						
CUSTOMER DRAWING						

X-ON Electronics

Largest Supplier of Electrical and Electronic Components

Click to view similar products for [I/O Connectors](#) category:

Click to view products by [TE Connectivity](#) manufacturer:

Other Similar products are found below :

[571763P](#) [58098-0628](#) [72.250.1628.2](#) [72.250.2428.2](#) [74720-0505](#) [76.350.0729.0](#) [76871-1403](#) [FCN-244F080-G/1](#) [FCN-260A9920](#) [PCR-E36PM](#) [PCS-XE26MA+](#) [G38A71314B](#) [1571250010](#) [157-22500-3](#) [MS3471L14-19P L/C](#) [172501-4002](#) [172501-6002](#) [FCN-260C008-A/L0](#) [FCN-260C024-AL0](#) [FCN-261Z008](#) [2000314-1](#) [200331-1](#) [PCR-E36FC+](#) [PCS-E28FS+](#) [PCS-XE26SLFD+](#) [PCS-XE26SLFDT+](#) [G730VID08BDC24](#) [U90B2054081210](#) [38113800006](#) [DP3AR020WQ1R200](#) [Z4.102.0680.0](#) [500-1040](#) [500-1052](#) [500-1054](#) [ZP-4008-66L](#) [0709821002](#) [DX40-20P\(55\)](#) [5554841-1](#) [MS3474W18-8P-LC*](#) [U90B3054061110](#) [U65-E04-4020](#) [ZPF000000000097891](#) [747360449](#) [10099439-003C-TRLF](#) [10137239-0021LF](#) [E9320-001-01](#) [10137239-0011LF](#) [70289-001LF](#) [70.060.1028.0](#) [109029-ZZ](#)