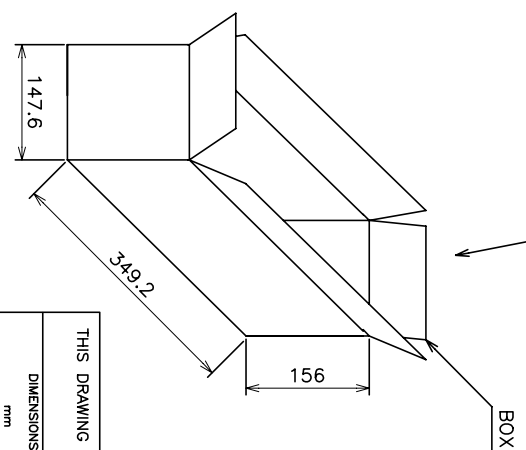
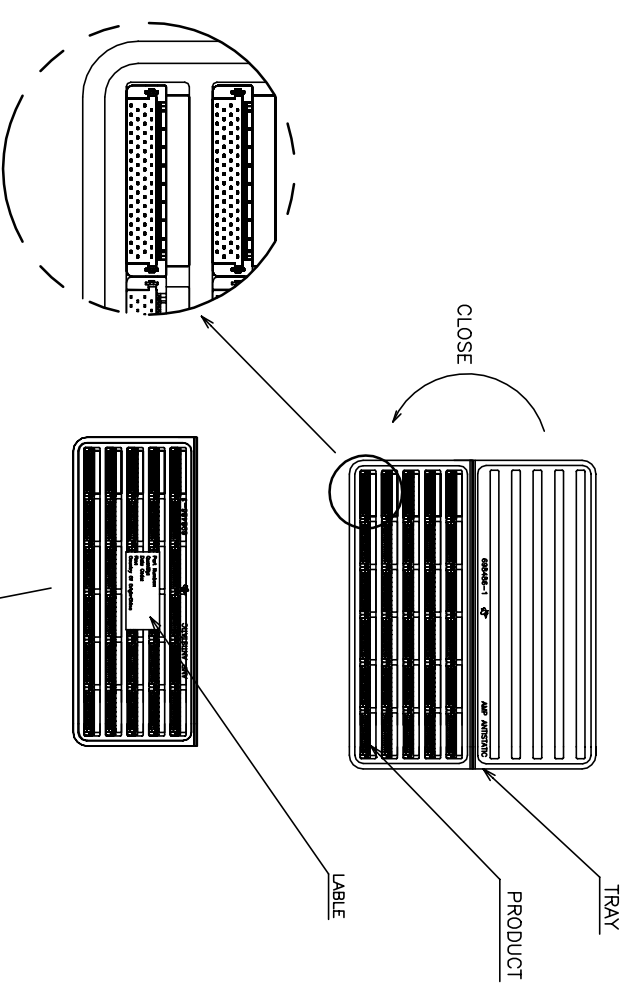




REVISIONS			
P	LTR	DESCRIPTION	DATE
-	-	SEE SHEET 1	-



POS.	QTY/ TRAY	TRAY/ BOX	QTY/ BOX	N/W (KG)	G/W (KG)	PART NUMBER
40	45	10	450	1.71	2.66	5-1734099-4
45	10	10	100	1.40	2.35	3-1734099-8
120	15	10	150	1.20	2.15	3-1734099-2
68	30	10	300	1.69	2.64	4-1734099-7
60	30	10	300	1.53	2.48	2-1734099-6
50	35	10	350	1.58	2.56	2-1734099-5
40	45	10	450	1.71	2.66	4-1734099-4
140	15	10	150	1.59	2.46	3-1734099-4
200	10	10	100	1.40	2.35	1-1734099-8
160	10	10	100	1.18	2.13	3-1734099-6
140	15	10	150	1.59	2.46	1-1734099-4

THIS DRAWING IS A CONTROLLED DOCUMENT.

**STE** TE Connectivity

PLUG ASSEMBLY, R/A,  
BTB, CHAMP .050, SERIES I

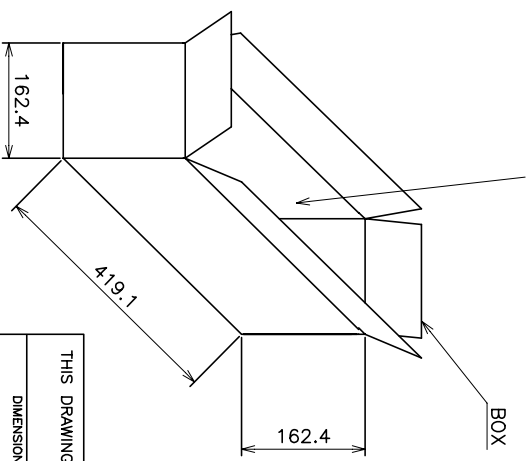
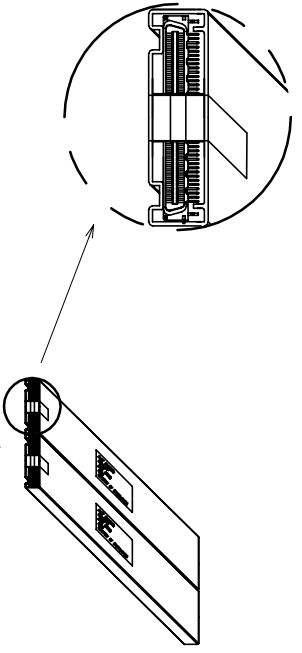
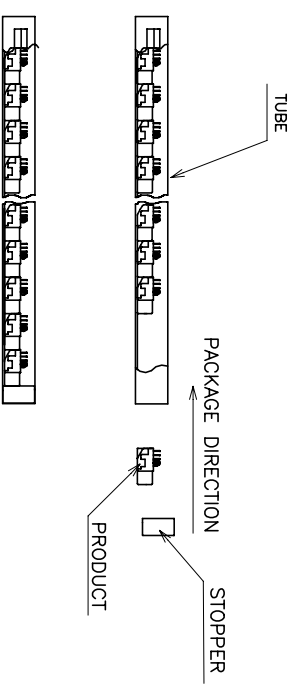
APVD	CHK	DWG
PRODUCT SPEC	APPLICATION SPEC	WEIGHT
0 P/C	1 P/C	2 P/C
3 P/C	4 P/C	ANGLES
FINISH	MATERIAL	CUSTOMER DRAWING

SIZE: A3  
 QAGE CODE: 00779  
 DRAWING NO: 1734099

RESTRICTED TO: H1

SCALE: 5 OF 5 SHEET: H1

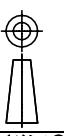
REVISIONS					
P	LTR	DESCRIPTION	DATE	DMN	APVD
-	-	SEE SHEET 1	-	-	-



POS.	QTY/ TUBE	TUBE/ BOX	QTY/ BOX	N/W (KG)	G/W (KG)	PART NUMBER
100	21	16	336	2.60	3.44	5-1734099-0 3-1734099-0 1-1734099-0
80	21	16	336	2.15	3.00	4-1734099-8 2-1734099-8 1734099-8

THIS DRAWING IS A CONTROLLED DOCUMENT.

DIMENSIONS:	TOLERANCES UNLESS OTHERWISE SPECIFIED:
mm	
0 P/C	±
1 P/C	±
2 P/C	±
3 P/C	±
4 P/C	±
ANGLES	±
FINISH	



DMN	CHK	APVD	PRODUCT SPEC	APPLICATION SPEC	WEIGHT
-	-	-	-	-	-

**STE** TE Connectivity

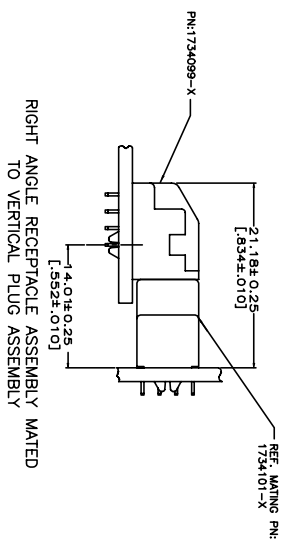
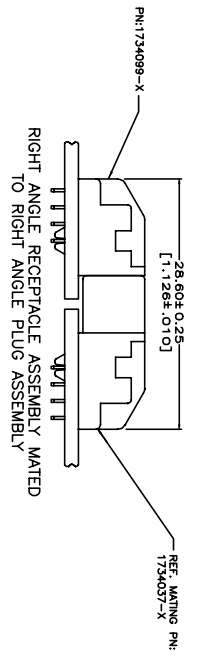
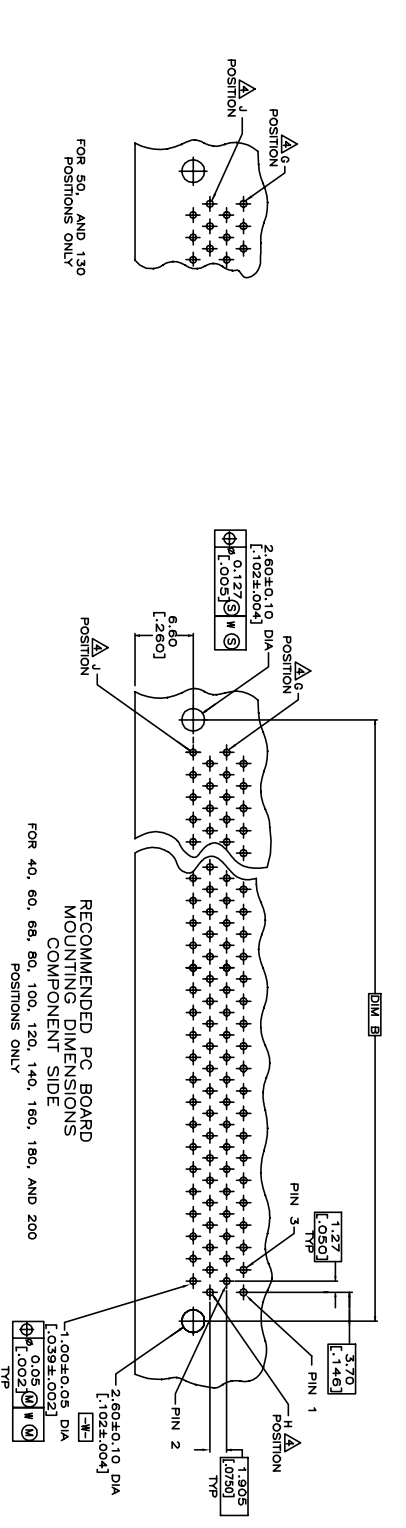
PLUG ASSEMBLY, R/A,  
BTB, CHAMP .050, SERIES I

NAME: \_\_\_\_\_  
 SIZE: A3  
 CAGE CODE: 00779  
 DRAWING NO: 1734099  
 RESTRICTED FOR: \_\_\_\_\_

CUSTOMER DRAWING

SCALE: \_\_\_\_\_ SHEET: 4 OF 5 REV: H1

REVOLUTIONS		DESCRIPTION	DATE	DMW	APVD
P	LIR	SEE SHEET 1	-	-	-



THIS DRAWING IS A CONTROLLED DOCUMENT.		DMW	-	NAME	STE TE Connectivity	
DIMENSIONS: mm		CHK	-	APVD	PLUG ASSEMBLY, R/A, BTB, CHAMP .050, SERIES I	
TOLERANCES UNLESS OTHERWISE SPECIFIED:		PRODUCT SPEC	-	APPLICATION SPEC	DRAWING NO 1734099	
0 P/C ±		APPLIC	-	WEIGHT	RESTRICTED 70	
1 P/C ±		CUSTOMER DRAWING	-	SCALE	3 OF 5 REV H1	
2 P/C ±			-			
3 P/C ±			-			
4 P/C ±			-			
ANGLES ±			-			

## X-ON Electronics

Largest Supplier of Electrical and Electronic Components

*Click to view similar products for [I/O Connectors](#) category:*

*Click to view products by [TE Connectivity](#) manufacturer:*

Other Similar products are found below :

[571763P](#) [72.250.1628.2](#) [72.250.2428.2](#) [74720-0505](#) [76.350.0729.0](#) [76871-1403](#) [FCN-244F080-G/1](#) [FCN-260A9920](#) [MP-5T180MUNNA-005](#)  
[PCR-E36PM](#) [PCS-XE26MA+](#) [G38A71314B](#) [1571250010](#) [157-22500-3](#) [MS3471L14-19P L/C](#) [91-569786-35H](#) [172501-4002](#) [172501-6002](#)  
[FCN-260C008-A/L0](#) [FCN-260C024-AL0](#) [FCN-261Z008](#) [2000314-1](#) [200331-1](#) [PCR-E36FC+](#) [PCS-E28FS+](#) [PCS-XE26SLFD+](#) [PCS-](#)  
[XE26SLFDT+](#) [G730VID08BDC24](#) [U90B2054081210](#) [UE86K842720321](#) [38113800006](#) [DP3AR020WQ1R200](#) [Z4.102.0680.0](#) [500-1040](#)  
[500-1052](#) [500-1054](#) [ZP-4008-66L](#) [0709821002](#) [10-565995-597N](#) [DX40-20P\(55\)](#) [5554841-1](#) [U90B3054061110](#) [U65-E04-4020](#)  
[ZPF00000000097891](#) [557-262M2-06C](#) [747360449](#) [10099439-003C-TRLF](#) [10137239-0021LF](#) [E9320-001-01](#) [10137239-0011LF](#)