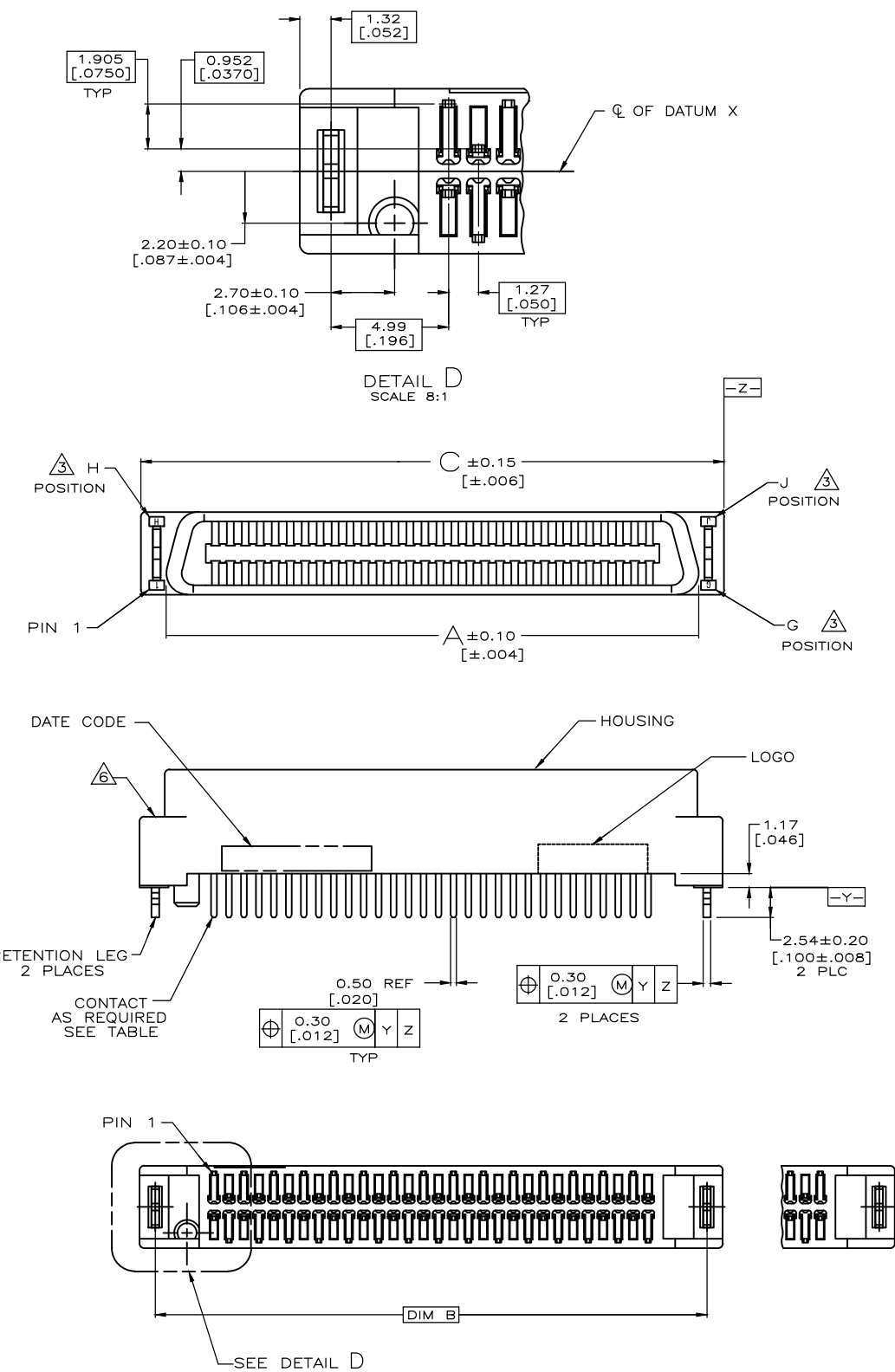


THIS DRAWING IS UNPUBLISHED. RELEASED FOR PUBLICATION  
 © COPYRIGHT - By - ALL RIGHTS RESERVED.

REVISIONS					
P	LTR	DESCRIPTION	DATE	DWN	APVD
	E1	REVISED PER ECO-18-006211	19JUN2018	TX	SH



NOTE:  
 1. MATERIAL:  
 HOUSING: LCP, MOLDING COMPOUND, UL 94V-0, BLACK COLOR.  
 CONTACTS: BRASS.  
 BOARDLOCKS: BRASS.  
 2. FINISH:  
 CONTACTS: (SEE TABLE) GOLD PLATED ON CONTACT AREA,  
 3.81μm [150μ"] MIN. MATTE-TIN ON SOLDERTAIL,  
 1.27μm [50μ"] MIN. NICKEL UNDERPLATED OVERALL.  
 BOARDLOCKS: 3.81μm [150μ"] MIN. TIN-Cu OVER  
 1.27μm [50μ"] MIN. UNDERPLATED.  
 △ G, J, H INDICATE NUMBER OF POSITION MARKED ON ASSEMBLY.  
 ALSO SEE TABLE.  
 △ ALL DIMENSIONS SHOWN ARE MAXIMUM UNLESS OTHERWISE SPECIFIED.  
 △ RETENTION LEGS NOT PRESENT.  
 △ TOP OF RETENTION LEG MAY NOT PROTRUDE ABOVE THIS SURFACE.  
 △ HOUSING BOW UP TO 0.30 [.012] ALLOWED.  
 8. 60 POSITION AS SHOWN.  
 9. WAVE SOLDER CAPABLE TO 265°C PER TEST SPEC.  
 109-202, CONDITION B.  
 △ GOLD FLASH OVER  
 0.762μm [30μ"] MIN. PALLADIUM-NICKEL PLATED.

PCB THICKNESS	E	C	B	A	G	J	H	CONTACT PLATE	PART NUMBER	PDS.
								GOLD FLASH	5-1734100-8	180
	0.80-1.60 [.031-.063]	2.54 [.100]	125.65 [4.947]	123.01 [4.843]	121.37 [4.778]	90	180	91	0.381mm[15m"] 3-1734100-8	
									1-1734100-8	
									7-1734100-6	160
	0.80-1.60 [.031-.063]	2.54 [.100]	112.95 [4.447]	110.31 [4.343]	108.67 [4.278]	80	160	81	0.381mm[15m"] 3-1734100-6	
									1-1734100-6	
									5-1734100-3	130
	0.80-1.60 [.031-.063]	2.54 [.100]	93.90 [3.697]	91.26 [3.593]	89.62 [3.528]	65	130	66	0.381mm[15m"] 3-1734100-3	
									1-1734100-3	
									5-1734100-2	120
	0.80-1.60 [.031-.063]	2.54 [.100]	87.55 [3.447]	84.91 [3.343]	83.27 [3.278]	60	120	61	0.381mm[15m"] 3-1734100-2	
									1-1734100-2	
									5-1734100-1	100
	0.80-1.60 [.031-.063]	2.54 [.100]	74.85 [2.947]	72.21 [2.843]	70.57 [2.778]	50	100	51	0.381mm[15m"] 3-1734100-1	
									1-1734100-1	
									5-1734100-0	
	0.80-1.60 [.031-.063]	2.54 [.100]	74.85 [2.947]	72.21 [2.843]	70.57 [2.778]	50	100	51	0.381mm[15m"] 3-1734100-0	
									1-1734100-0	
									4-1734100-9	80
	0.80-1.60 [.031-.063]	2.54 [.100]	62.15 [2.447]	59.51 [2.343]	57.87 [2.278]	40	80	41	0.381mm[15m"] 2-1734100-9	
									1734100-9	
									4-1734100-8	80
	0.80-1.60 [.031-.063]	2.54 [.100]	62.15 [2.447]	59.51 [2.343]	57.87 [2.278]	40	80	41	0.381mm[15m"] 2-1734100-8	
									1734100-8	
									4-1734100-7	68
	0.80-1.60 [.031-.063]	2.54 [.100]	54.53 [2.147]	51.89 [2.043]	50.25 [1.978]	34	68	35	0.381mm[15m"] 2-1734100-7	
									1734100-7	
									4-1734100-6	60
	0.80-1.60 [.031-.063]	2.54 [.100]	49.45 [1.947]	46.81 [1.843]	45.17 [1.778]	30	60	31	0.381mm[15m"] 2-1734100-6	
									1734100-6	
									5-1734100-9	50
	0.80-1.60 [.031-.063]	2.54 [.100]	43.10 [1.697]	40.46 [1.593]	38.82 [1.528]	25	50	26	0.381mm[15m"] 3-1734100-9	
									1-1734100-9	
									4-1734100-5	50
	0.80-1.60 [.031-.063]	2.54 [.100]	43.10 [1.697]	40.46 [1.593]	38.82 [1.528]	25	50	26	0.381mm[15m"] 2-1734100-5	
									1734100-5	
									4-1734100-4	40
	0.80-1.60 [.031-.063]	2.54 [.100]	36.75 [1.447]	34.11 [1.343]	32.47 [1.278]	20	40	21	0.381mm[15m"] 2-1734100-4	
									1734100-4	
									4-1734100-3	30
	0.80-1.60 [.031-.063]	2.54 [.100]	30.40 [1.197]	27.76 [1.093]	26.12 [1.025]	15	30	16	0.381mm[15m"] 2-1734100-3	
									1734100-3	
									4-1734100-2	20
	2.08 [.082]	3.17 [.125]	24.05 [.947]	21.41 [.843]	19.77 [.778]	10	20	11	0.381mm[15m"] 2-1734100-2	
									1734100-2	

THIS DRAWING IS A CONTROLLED DOCUMENT.

DWN F. YANG	31MAR2009	TE Connectivity Ltd. PLUG ASSEMBLY, VERTICAL BOARD-TO-BOARD, CHAMP .050, SERIES I
CHK S. CHIEN	31MAR2009	
APVD W. KODAMA	31MAR2009	
NAME PRODUCT SPEC		
108-57876		RESTRICTED TO
APPLICATION SPEC		
WEIGHT 0	SIZE A3	CAGE CODE 00779
CUSTOMER DRAWING	DRAWING NO C-1734100	
	SCALE -	SHEET 1 OF 6
		REV E1

THIS DRAWING IS UNPUBLISHED.

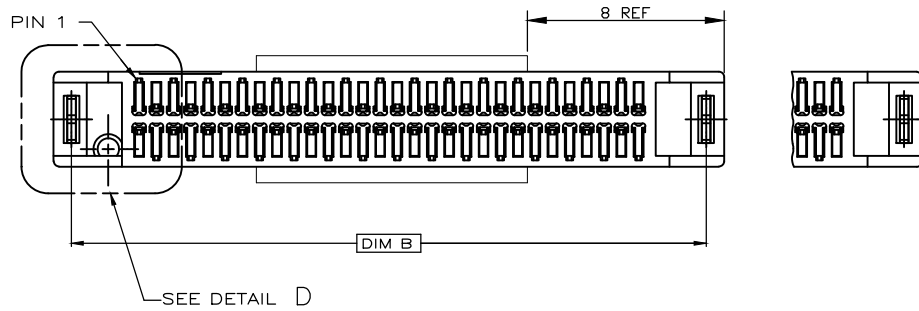
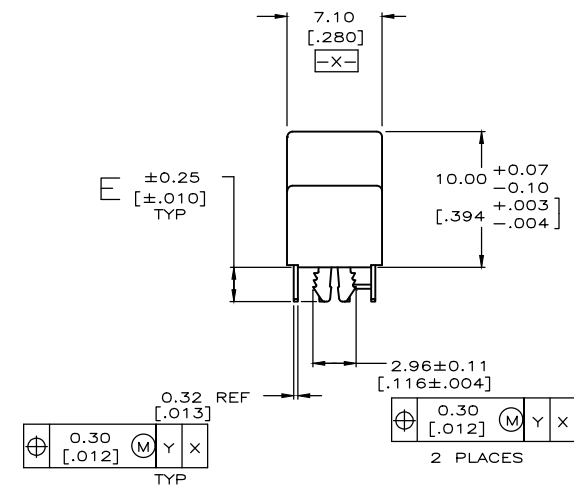
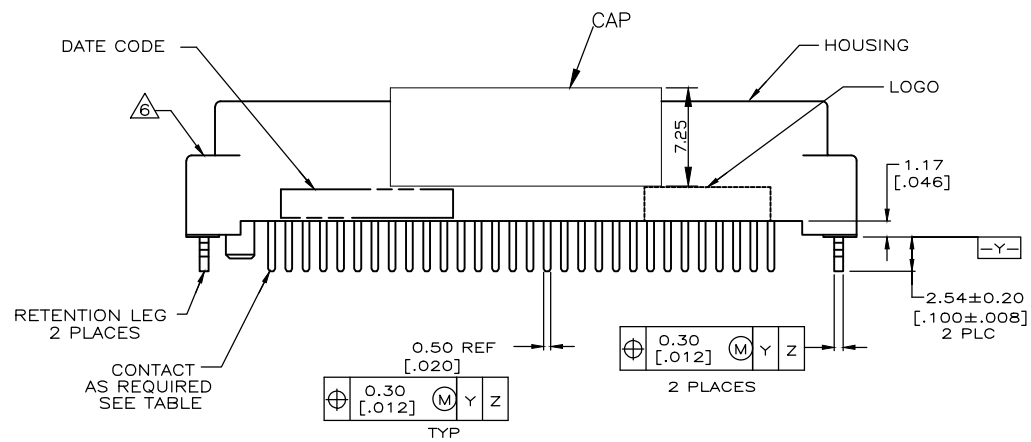
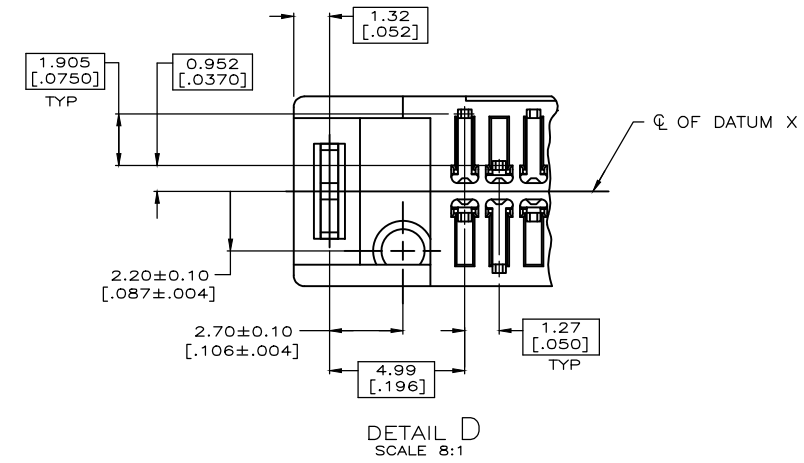
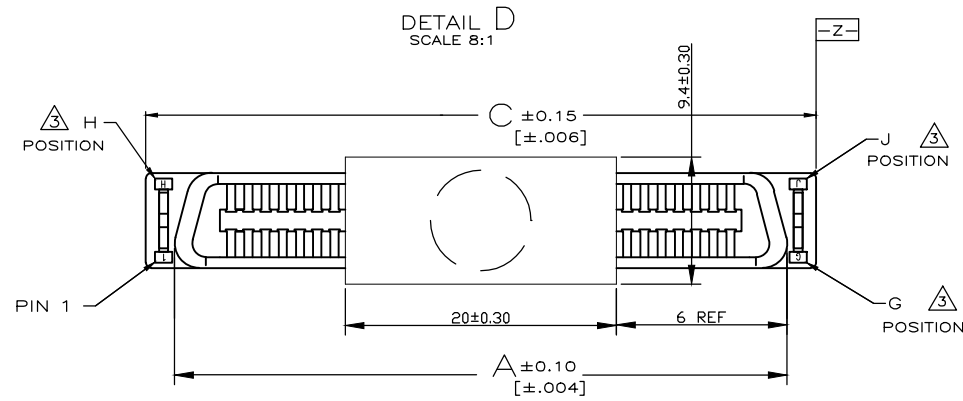
RELEASED FOR PUBLICATION

© COPYRIGHT - By -

ALL RIGHTS RESERVED.

REVISIONS

P	LTR	DESCRIPTION	DATE	DWN	APVD
-	-	SEE SHEET 1	-	-	-



FOR 5-1734100-4 WITH CAP

0.80-1.60 [.031-.063]	2.54 [.100]	36.75 [1.447]	34.11 [1.343]	32.47 [1.278]	20	40	21		5-1734100-4	40
PCB THICKNESS	E	C	B	A	G	J	H	CONTACT PLATED	PART NUMBER	PDS.

THIS DRAWING IS A CONTROLLED DOCUMENT.		DWN F. YANG 31 MAR 2009	TE Connectivity Ltd.			
DIMENSIONS: mm		CHK S. CHIEN 31 MAR 2009				
TOLERANCES UNLESS OTHERWISE SPECIFIED:		APVD W. KODAMA 31 MAR 2009	NAME PLUG ASSEMBLY, VERTICAL BOARD-TO-BOARD, CHAMP .050, SERIES I			
0 PLC ± -		PRODUCT SPEC 108-57876	SIZE A3			
1 PLC ± -		APPLICATION SPEC	CAGE CODE 00779			
2 PLC ± -		—	DRAWING NO C-1734100			
3 PLC ± -		WEIGHT 0	RESTRICTED TO —			
4 PLC ± -		CUSTOMER DRAWING	SCALE —			
ANGLES ± -			SHEET 2 of 6			
FINISH SEE NOTE			REV E1			

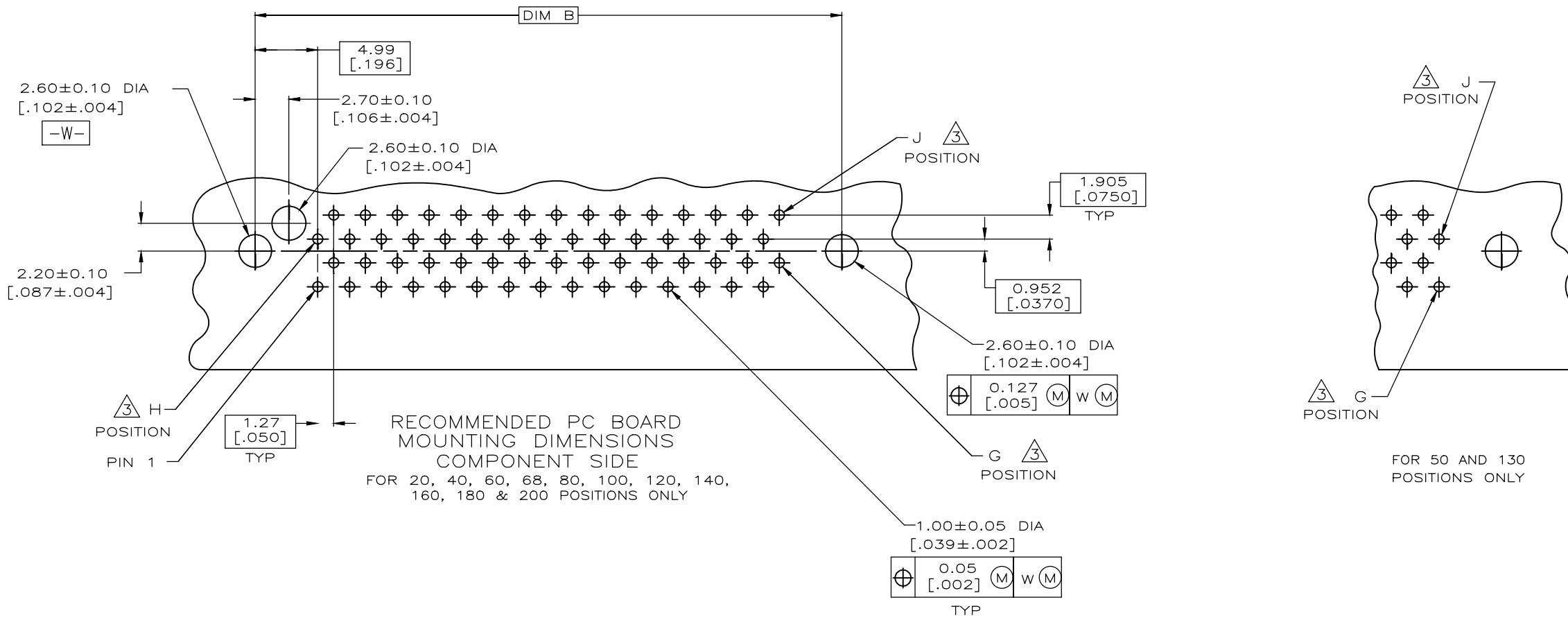
THIS DRAWING IS UNPUBLISHED.

RELEASED FOR PUBLICATION

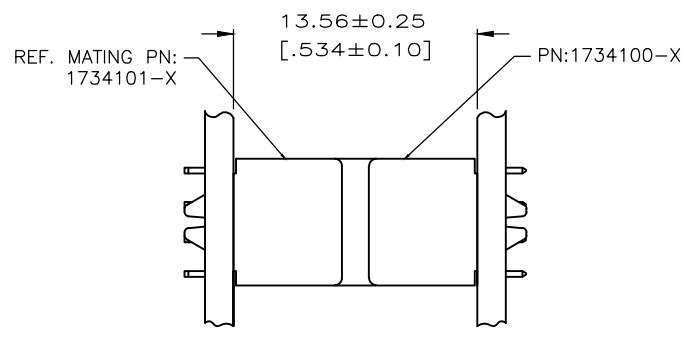
REVISIONS

© COPYRIGHT - By - ALL RIGHTS RESERVED.

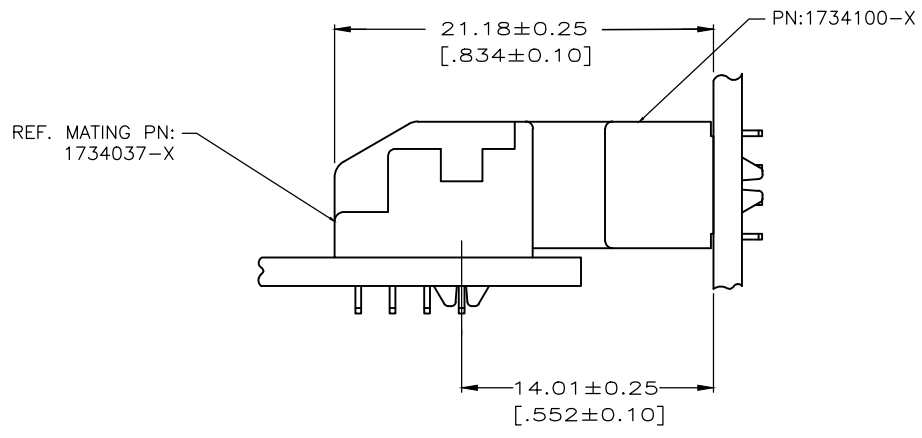
P	LTR	DESCRIPTION	DATE	DWN	APVD
-	-	SEE SHEET 1	-	-	-



RECOMMENDED PC BOARD MOUNTING DIMENSIONS COMPONENT SIDE FOR 20, 40, 60, 68, 80, 100, 120, 140, 160, 180 & 200 POSITIONS ONLY



VERTICAL PLUG ASSEMBLY MATED TO VERTICAL RECEPTACLE ASSEMBLY



VERTICAL PLUG ASSEMBLY MATED TO RIGHT ANGLE RECEPTACLE ASSEMBLY

THIS DRAWING IS A CONTROLLED DOCUMENT.		DWN	-		
DIMENSIONS: mm		CHK	-		
TOLERANCES UNLESS OTHERWISE SPECIFIED:		APVD	-		
0 PLC ± -		PRODUCT SPEC	-		
1 PLC ± -		APPLICATION SPEC	-		
2 PLC ± -		WEIGHT	-		
3 PLC ± -		TE Connectivity Ltd.			
4 PLC ± -		NAME PLUG ASSEMBLY, VERTICAL BOARD-TO-BOARD, CHAMP .050, SERIES I			
ANGLES ± -		SIZE	CAGE CODE	DRAWING NO	RESTRICTED TO
FINISH		A3	00779	C-1734100	-
MATERIAL		CUSTOMER DRAWING		SCALE	SHEET 3 of 6
				REV	E1

4

3

2

1

THIS DRAWING IS UNPUBLISHED.

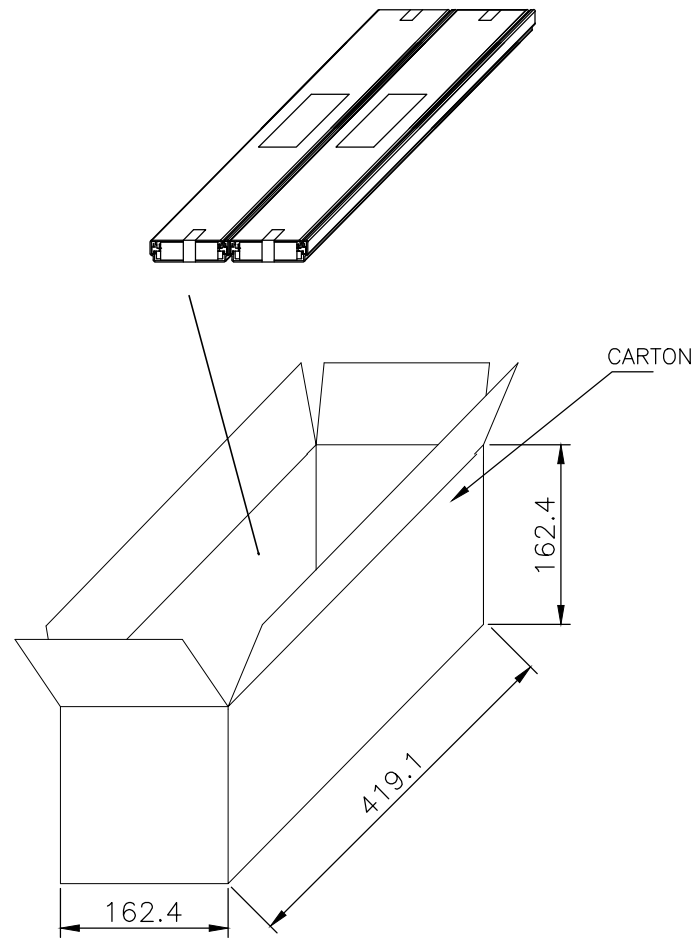
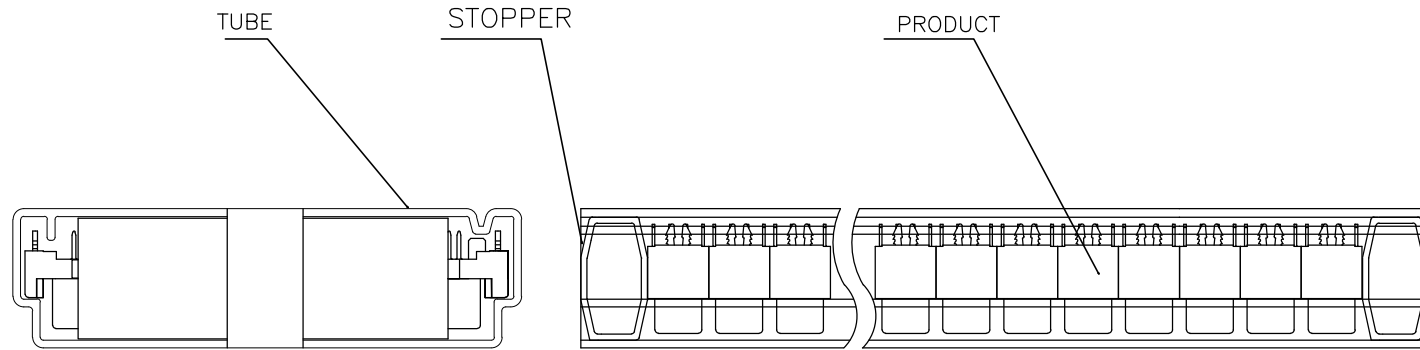
RELEASED FOR PUBLICATION

---

REVISIONS

© COPYRIGHT - By - ALL RIGHTS RESERVED.

P	LTR	DESCRIPTION	DATE	DWN	APVD
-	-	SEE SHEET 1	-	-	-



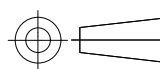
4.88	3.42	54	8	432	5-1734100-2	120
					3-1734100-2	
					1-1734100-2	
7.70	5.58	54	16	864	5-1734100-0	100
					3-1734100-0	
					1-1734100-0	
5.28	3.80	54	16	864	4-1734100-9	80
					2-1734100-9	
					1734100-9	
5.38	3.90	54	16	864	4-1734100-8	68
					2-1734100-8	
					1734100-8	
4.76	3.37	54	16	864	4-1734100-7	60
					2-1734100-7	
					1734100-7	
4.36	3.11	54	16	864	4-1734100-6	50
					2-1734100-6	
					1734100-6	
5.72	4.08	54	24	1296	5-1734100-9	30
					3-1734100-9	
					1-1734100-9	
5.70	4.07	54	24	1296	4-1734100-5	40
					2-1734100-5	
					1734100-5	
4.77	3.50	54	24	1296	4-1734100-4	30
					2-1734100-4	
					1734100-4	
4.46	3.03	54	24	1296	4-1734100-3	30
					2-1734100-3	
					1734100-3	
G.W./CARTON	N.W./CARTON	PCS/TUBE	TUBES/CARTON	QUANTITY/CARTON (PCS)	PART NUMBER	PDS.

Ⓣ OBSOLETE

Ⓣ OBSOLETE

THIS DRAWING IS A CONTROLLED DOCUMENT.

DIMENSIONS: mm



TOLERANCES UNLESS OTHERWISE SPECIFIED:

- 0 PLC ± -
- 1 PLC ± -
- 2 PLC ± -
- 3 PLC ± -
- 4 PLC ± -
- ANGLES ± -
- FINISH

MATERIAL

DWN	-
CHK	-
APVD	-
PRODUCT SPEC	-
APPLICATION SPEC	-
WEIGHT	-



PLUG ASSEMBLY, VERTICAL BOARD-TO-BOARD, CHAMP .050, SERIES I

SIZE	CAGE CODE	DRAWING NO	RESTRICTED TO
A3	00779	C-1734100	-

CUSTOMER DRAWING SCALE SHEET 4 OF 6 REV E1

4

3

2

1

THIS DRAWING IS UNPUBLISHED.

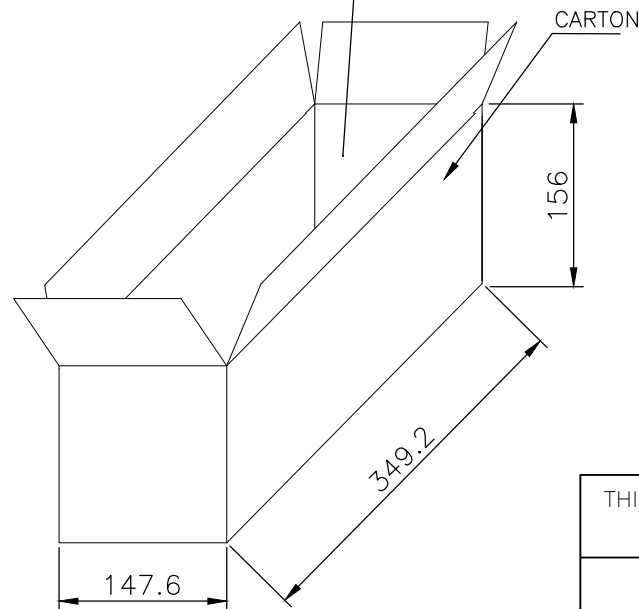
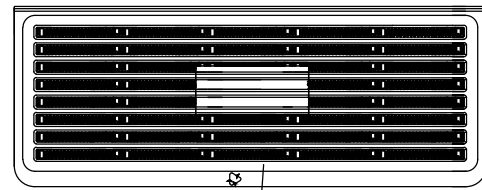
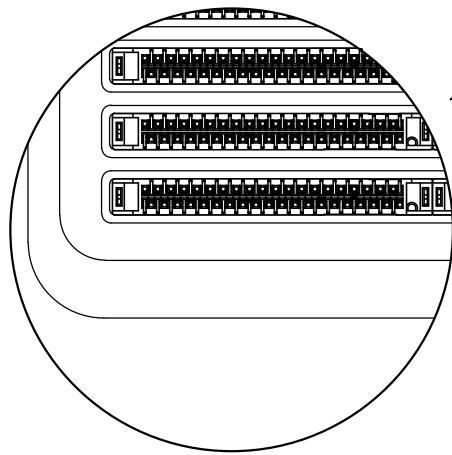
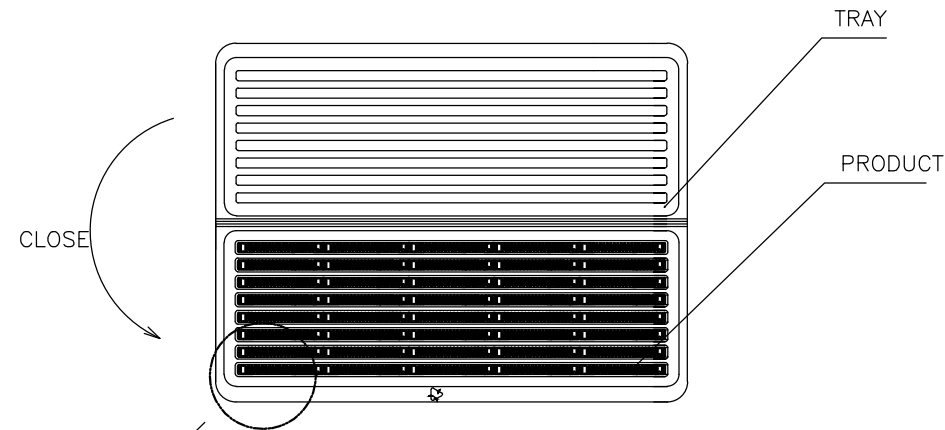
RELEASED FOR PUBLICATION

© COPYRIGHT - By -

ALL RIGHTS RESERVED.

REVISIONS

P	LTR	DESCRIPTION	DATE	DWN	APVD
-	-	SEE SHEET 1	-	-	-



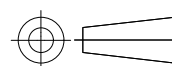
G.W./CARTON (KG)	N.W./CARTON (KG)	PCS/TRAY	TRAYS/CARTON	QUANTITY/CARTON (PCS)	PART NUMBER	PDS.
2.62	1.73	16	10	160	5-1734100-6 3-1734100-6 1-1734100-6	160

ⓓ2

OBSOLETE

THIS DRAWING IS A CONTROLLED DOCUMENT.

DIMENSIONS: mm



TOLERANCES UNLESS OTHERWISE SPECIFIED:

- 0 PLC ± -
- 1 PLC ± -
- 2 PLC ± -
- 3 PLC ± -
- 4 PLC ± -
- ANGLES ± -

MATERIAL

FINISH

DWN

CHK

APVD

PRODUCT SPEC

APPLICATION SPEC

WEIGHT

CUSTOMER DRAWING



TE Connectivity Ltd.

PLUG ASSEMBLY, VERTICAL BOARD-TO-BOARD, CHAMP .050, SERIES I

SIZE	CAGE CODE	DRAWING NO	RESTRICTED TO
A3	00779	C-1734100	-

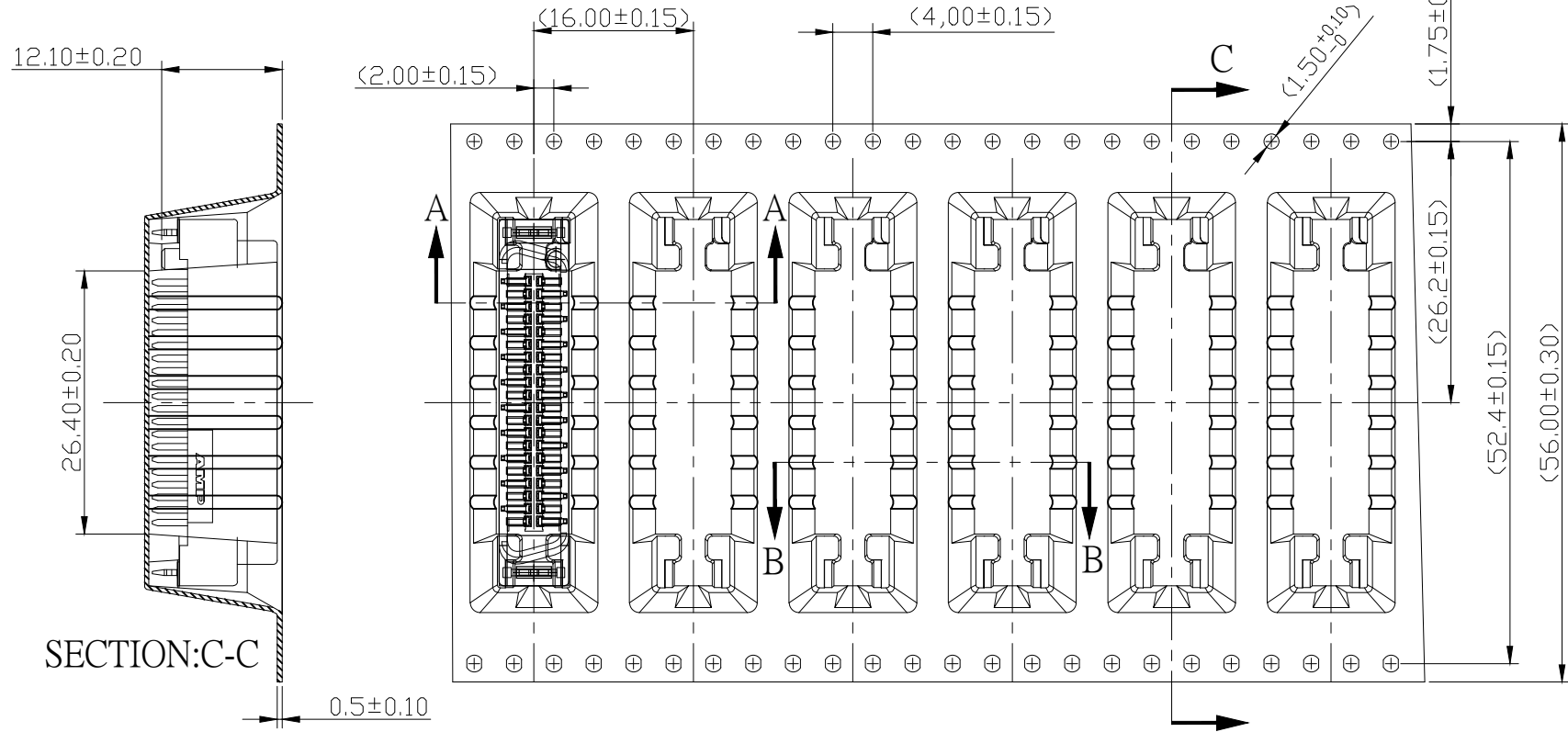
SCALE - SHEET 5 of 6 REV E1

THIS DRAWING IS UNPUBLISHED. RELEASED FOR PUBLICATION

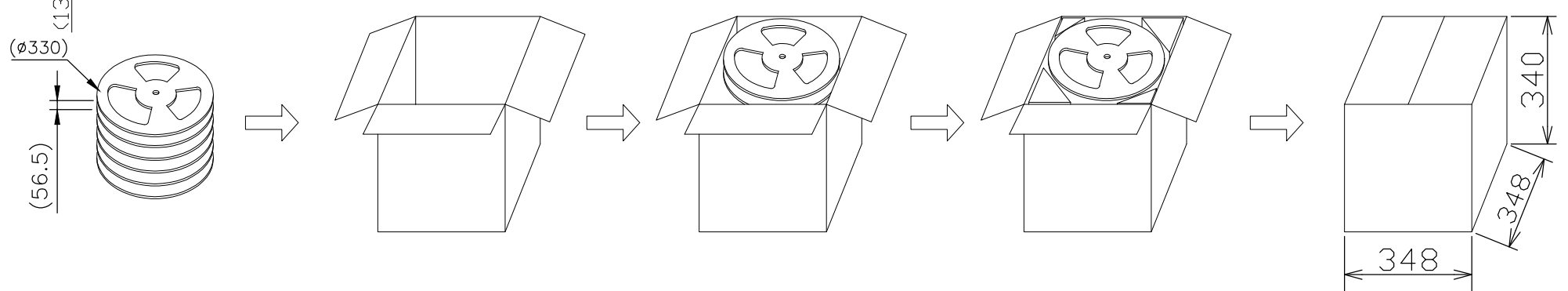
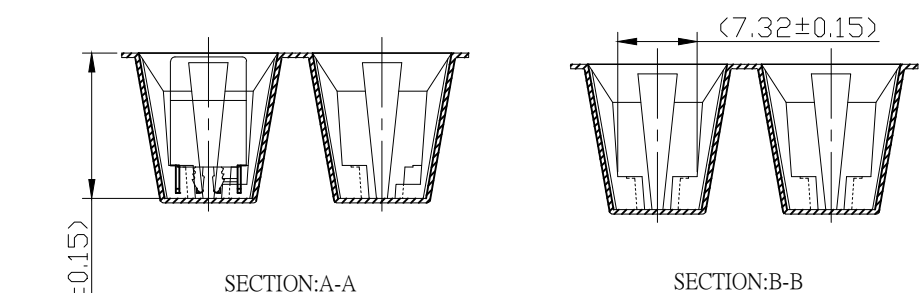
© COPYRIGHT - By - ALL RIGHTS RESERVED.

REVISIONS

P	LTR	DESCRIPTION	DATE	DWN	APVD
-	-	SEE SHEET 1	-	-	-



SECTION:C-C



THIS DRAWING IS A CONTROLLED DOCUMENT.

DIMENSIONS:	TOLERANCES UNLESS OTHERWISE SPECIFIED:
mm	
	0 PLC ± -
	1 PLC ± -
	2 PLC ± -
	3 PLC ± -
	4 PLC ± -
	ANGLES ± -

DWN	-
CHK	-
APVD	-
PRODUCT SPEC	-
APPLICATION SPEC	-
WEIGHT	0

**STE** TE Connectivity Ltd.

PLUG ASSEMBLY, VERTICAL  
BOARD-TO-BOARD,  
CHAMP .050, SERIES I

SIZE	CAGE CODE	DRAWING NO	RESTRICTED TO
A3	00779	C-1734100	-

7.3	3.5	200	5	1000	5-1734100-4	40
G.W./CARTON (KG)	N.W./CARTON (KG)	PCS/REEL	REEL/CARTON	QUANTITY/CARTON (PCS)	PART NUMBER	POS.

MATERIAL	FINISH	CUSTOMER DRAWING	SCALE	SHEET	REV
-	-		-	6 of 6	E1

## X-ON Electronics

Largest Supplier of Electrical and Electronic Components

*Click to view similar products for [Board to Board & Mezzanine Connectors](#) category:*

*Click to view products by [TE Connectivity](#) manufacturer:*

Other Similar products are found below :

[589158040000018](#) [MDF7C-18P-2.54DSA\(55\)](#) [FCN-230C068-11](#) [FCN-268F012-G/BD](#) [FCN-268F036-G/BD](#) [FCN-268M012-G/0D](#) [FCN-268M024-G/1D](#) [FCN-723J004/1](#) [MIS-048-01-F-D-DP-K](#) [832-10-034-10-001000](#) [FX4C-80S-1.27DSA](#) [FCN-214Q030-G/0](#) [FCN-234P048-G/0](#) [FCN-235D050-G/C](#) [210-93-314-41-105000](#) [2-22603-0](#) [MDF7-40DP-2.54DSA\(55\)](#) [AXG720047](#) [5031084030](#) [MIT-114-03-F-D-K](#) [55323-1519](#) [DF33-2P-3.3DSA\(24\)](#) [YFT-20-05-H-03-SB-K](#) [503308-3040](#) [026-6203-PDB](#) [027-6203-PDB](#) [069159702701000](#) [10123981-102LF](#) [101A10019X](#) [55650-0588-C](#) [68682-310LF](#) [68684-306](#) [75140-7012](#) [87471-650](#) [194261-1](#) [FCN-268F024-G0D](#) [10124054-515LF](#) [68685-603](#) [8-1616154-3](#) [MIS-019-01-F-D](#) [FCN-268M024-G/3D](#) [20021832-06016C1LF](#) [KX15-20KLDL-E1000E](#) [MDF7-16DP-2.54DSA\(55\)](#) [AXE810124](#) [FCN-214J100-G/0](#) [FCN-230C068-E/S](#) [AXE812124](#) [AXE816124](#) [AXE720127](#)