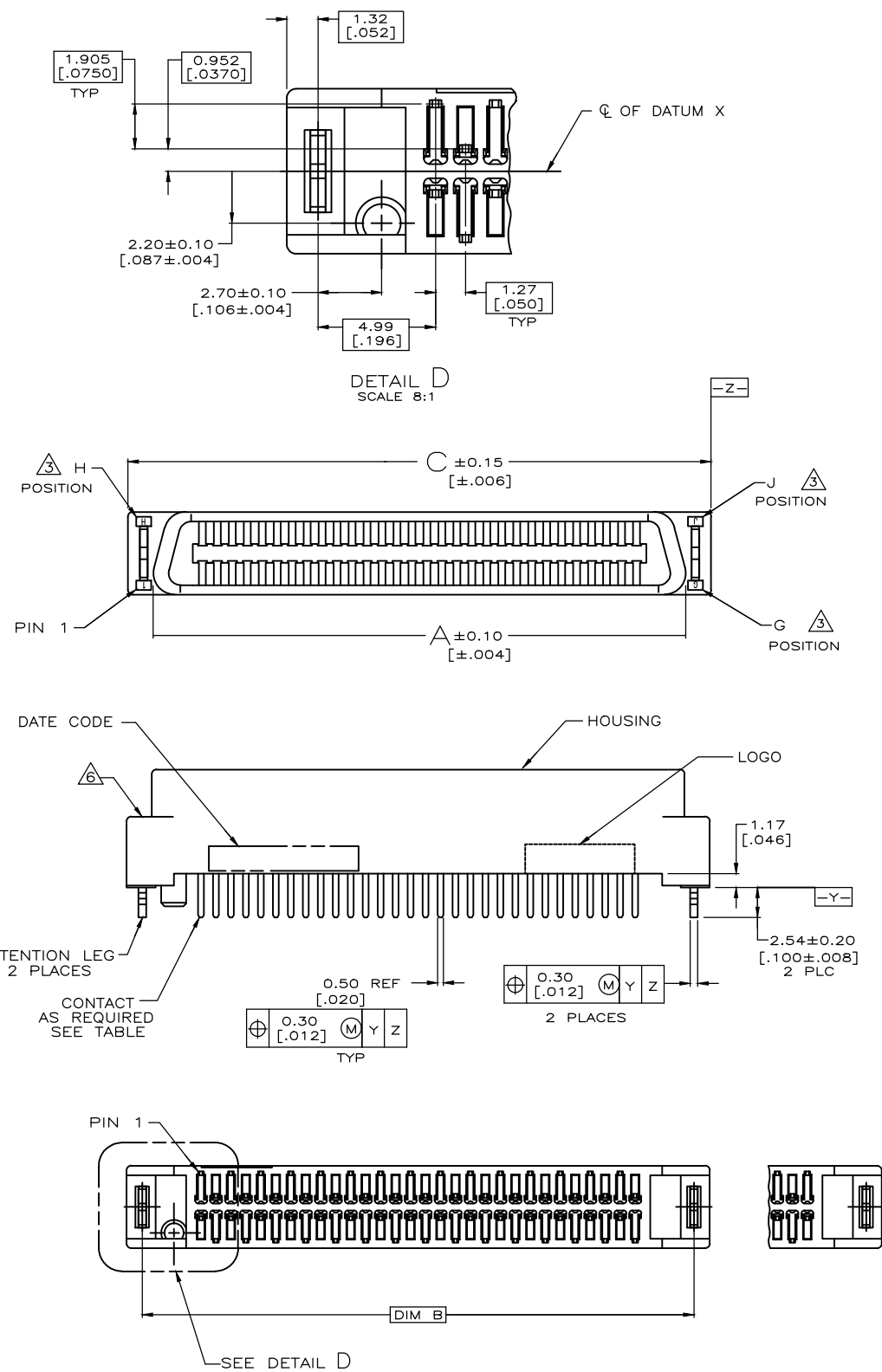


THIS DRAWING IS UNPUBLISHED. RELEASED FOR PUBLICATION  
 © COPYRIGHT - By - ALL RIGHTS RESERVED.

| REVISIONS |     |                           |           |     |      |
|-----------|-----|---------------------------|-----------|-----|------|
| P         | LTR | DESCRIPTION               | DATE      | DWN | APVD |
|           | E1  | REVISED PER ECO-18-006211 | 19JUN2018 | TX  | SH   |



NOTE:  
 1. MATERIAL:  
 HOUSING: LCP, MOLDING COMPOUND, UL 94V-0, BLACK COLOR.  
 CONTACTS: BRASS.  
 BOARDLOCKS: BRASS.  
 2. FINISH:  
 CONTACTS: (SEE TABLE) GOLD PLATED ON CONTACT AREA,  
 3.81μm [150μ"] MIN. MATTE-TIN ON SOLDERTAIL,  
 1.27μm [50μ"] MIN. NICKEL UNDERPLATED OVERALL.  
 BOARDLOCKS: 3.81μm [150μ"] MIN. TIN-Cu OVER  
 1.27μm [50μ"] MIN. UNDERPLATED.  
 △ G, J, H INDICATE NUMBER OF POSITION MARKED ON ASSEMBLY.  
 ALSO SEE TABLE.  
 △ ALL DIMENSIONS SHOWN ARE MAXIMUM UNLESS OTHERWISE SPECIFIED.  
 △ RETENTION LEGS NOT PRESENT.  
 △ TOP OF RETENTION LEG MAY NOT PROTRUDE ABOVE THIS SURFACE.  
 △ HOUSING BOW UP TO 0.30 [.012] ALLOWED.  
 8. 60 POSITION AS SHOWN.  
 9. WAVE SOLDER CAPABLE TO 265°C PER TEST SPEC.  
 109-202, CONDITION B.  
 △ GOLD FLASH OVER  
 0.762μm [30μ"] MIN. PALLADIUM-NICKEL PLATED.

| PCB THICKNESS | E                        | C              | B                 | A                 | G                 | J  | H   | CONTACT PLATE | PART NUMBER                  | PDS. |
|---------------|--------------------------|----------------|-------------------|-------------------|-------------------|----|-----|---------------|------------------------------|------|
|               |                          |                |                   |                   |                   |    |     | GOLD FLASH    | 5-1734100-8                  | 180  |
|               | 0.80-1.60<br>[.031-.063] | 2.54<br>[.100] | 125.65<br>[4.947] | 123.01<br>[4.843] | 121.37<br>[4.778] | 90 | 180 | 91            | 0.381mm[15m"]<br>3-1734100-8 |      |
|               |                          |                |                   |                   |                   |    |     |               | 1-1734100-8                  |      |
|               |                          |                |                   |                   |                   |    |     |               | 7-1734100-6                  | 160  |
|               | 0.80-1.60<br>[.031-.063] | 2.54<br>[.100] | 112.95<br>[4.447] | 110.31<br>[4.343] | 108.67<br>[4.278] | 80 | 160 | 81            | 0.381mm[15m"]<br>3-1734100-6 |      |
|               |                          |                |                   |                   |                   |    |     |               | 1-1734100-6                  |      |
|               |                          |                |                   |                   |                   |    |     |               | 5-1734100-3                  | 130  |
|               | 0.80-1.60<br>[.031-.063] | 2.54<br>[.100] | 93.90<br>[3.697]  | 91.26<br>[3.593]  | 89.62<br>[3.528]  | 65 | 130 | 66            | 0.381mm[15m"]<br>3-1734100-3 |      |
|               |                          |                |                   |                   |                   |    |     |               | 1-1734100-3                  |      |
|               |                          |                |                   |                   |                   |    |     |               | 5-1734100-2                  | 120  |
|               | 0.80-1.60<br>[.031-.063] | 2.54<br>[.100] | 87.55<br>[3.447]  | 84.91<br>[3.343]  | 83.27<br>[3.278]  | 60 | 120 | 61            | 0.381mm[15m"]<br>3-1734100-2 |      |
|               |                          |                |                   |                   |                   |    |     |               | 1-1734100-2                  |      |
|               |                          |                |                   |                   |                   |    |     |               | 5-1734100-1                  | 100  |
|               | 0.80-1.60<br>[.031-.063] | 2.54<br>[.100] | 74.85<br>[2.947]  | 72.21<br>[2.843]  | 70.57<br>[2.778]  | 50 | 100 | 51            | 0.381mm[15m"]<br>3-1734100-1 |      |
|               |                          |                |                   |                   |                   |    |     |               | 1-1734100-1                  |      |
|               |                          |                |                   |                   |                   |    |     |               | 5-1734100-0                  |      |
|               | 0.80-1.60<br>[.031-.063] | 2.54<br>[.100] | 74.85<br>[2.947]  | 72.21<br>[2.843]  | 70.57<br>[2.778]  | 50 | 100 | 51            | 0.381mm[15m"]<br>3-1734100-0 |      |
|               |                          |                |                   |                   |                   |    |     |               | 1-1734100-0                  |      |
|               |                          |                |                   |                   |                   |    |     |               | 4-1734100-9                  | 80   |
|               | 0.80-1.60<br>[.031-.063] | 2.54<br>[.100] | 62.15<br>[2.447]  | 59.51<br>[2.343]  | 57.87<br>[2.278]  | 40 | 80  | 41            | 0.381mm[15m"]<br>2-1734100-9 |      |
|               |                          |                |                   |                   |                   |    |     |               | 1734100-9                    |      |
|               |                          |                |                   |                   |                   |    |     |               | 4-1734100-8                  | 80   |
|               | 0.80-1.60<br>[.031-.063] | 2.54<br>[.100] | 62.15<br>[2.447]  | 59.51<br>[2.343]  | 57.87<br>[2.278]  | 40 | 80  | 41            | 0.381mm[15m"]<br>2-1734100-8 |      |
|               |                          |                |                   |                   |                   |    |     |               | 1734100-8                    |      |
|               |                          |                |                   |                   |                   |    |     |               | 4-1734100-7                  | 68   |
|               | 0.80-1.60<br>[.031-.063] | 2.54<br>[.100] | 54.53<br>[2.147]  | 51.89<br>[2.043]  | 50.25<br>[1.978]  | 34 | 68  | 35            | 0.381mm[15m"]<br>2-1734100-7 |      |
|               |                          |                |                   |                   |                   |    |     |               | 1734100-7                    |      |
|               |                          |                |                   |                   |                   |    |     |               | 4-1734100-6                  | 60   |
|               | 0.80-1.60<br>[.031-.063] | 2.54<br>[.100] | 49.45<br>[1.947]  | 46.81<br>[1.843]  | 45.17<br>[1.778]  | 30 | 60  | 31            | 0.381mm[15m"]<br>2-1734100-6 |      |
|               |                          |                |                   |                   |                   |    |     |               | 1734100-6                    |      |
|               |                          |                |                   |                   |                   |    |     |               | 5-1734100-9                  | 50   |
|               | 0.80-1.60<br>[.031-.063] | 2.54<br>[.100] | 43.10<br>[1.697]  | 40.46<br>[1.593]  | 38.82<br>[1.528]  | 25 | 50  | 26            | 0.381mm[15m"]<br>3-1734100-9 |      |
|               |                          |                |                   |                   |                   |    |     |               | 1-1734100-9                  |      |
|               |                          |                |                   |                   |                   |    |     |               | 4-1734100-5                  | 50   |
|               | 0.80-1.60<br>[.031-.063] | 2.54<br>[.100] | 43.10<br>[1.697]  | 40.46<br>[1.593]  | 38.82<br>[1.528]  | 25 | 50  | 26            | 0.381mm[15m"]<br>2-1734100-5 |      |
|               |                          |                |                   |                   |                   |    |     |               | 1734100-5                    |      |
|               |                          |                |                   |                   |                   |    |     |               | 4-1734100-4                  | 40   |
|               | 0.80-1.60<br>[.031-.063] | 2.54<br>[.100] | 36.75<br>[1.447]  | 34.11<br>[1.343]  | 32.47<br>[1.278]  | 20 | 40  | 21            | 0.381mm[15m"]<br>2-1734100-4 |      |
|               |                          |                |                   |                   |                   |    |     |               | 1734100-4                    |      |
|               |                          |                |                   |                   |                   |    |     |               | 4-1734100-3                  | 30   |
|               | 0.80-1.60<br>[.031-.063] | 2.54<br>[.100] | 30.40<br>[1.197]  | 27.76<br>[1.093]  | 26.12<br>[1.025]  | 15 | 30  | 16            | 0.381mm[15m"]<br>2-1734100-3 |      |
|               |                          |                |                   |                   |                   |    |     |               | 1734100-3                    |      |
|               |                          |                |                   |                   |                   |    |     |               | 4-1734100-2                  | 20   |
|               | 2.08<br>[.082]           | 3.17<br>[.125] | 24.05<br>[.947]   | 21.41<br>[.843]   | 19.77<br>[.778]   | 10 | 20  | 11            | 0.381mm[15m"]<br>2-1734100-2 |      |
|               |                          |                |                   |                   |                   |    |     |               | 1734100-2                    |      |

|   |  |                                |  |                    |
|---|--|--------------------------------|--|--------------------|
| THIS DRAWING IS A CONTROLLED DOCUMENT.                                      |  | DWN<br>F. YANG<br>31MAR2009    | TE Connectivity Ltd.   |                    |
| DIMENSIONS:<br>mm   |  | CHK<br>S. CHIEN<br>31MAR2009   |  |                    |
| TOLERANCES UNLESS OTHERWISE SPECIFIED:                                      |  | APVD<br>W. KODAMA<br>31MAR2009 | NAME   |                    |
| 0 PLC ± -<br>1 PLC ± -<br>2 PLC ± -<br>3 PLC ± -<br>4 PLC ± -<br>ANGLES ± - |  | PRODUCT SPEC<br>108-57876      | PLUG ASSEMBLY, VERTICAL<br>BOARD-TO-BOARD,<br>CHAMP .050, SERIES I |                    |
| MATERIAL<br>SEE NOTE  |  | FINISH<br>SEE NOTE             | APPLICATION SPEC<br>-  | RESTRICTED TO      |
| WEIGHT<br>0   |  | CUSTOMER DRAWING               | SIZE<br>A3   | CAGE CODE<br>00779 |
| SCALE<br>-  |  | DRAWING NO<br>C-1734100        | SHEET<br>1 OF 6  |                    |
| REV<br>E1   |  |                                |  |                    |

THIS DRAWING IS UNPUBLISHED.

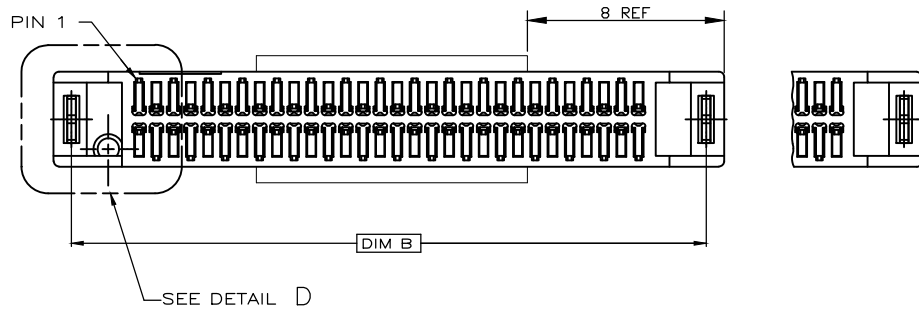
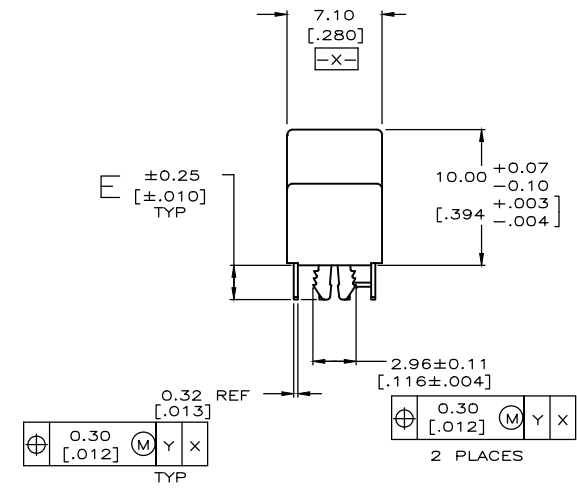
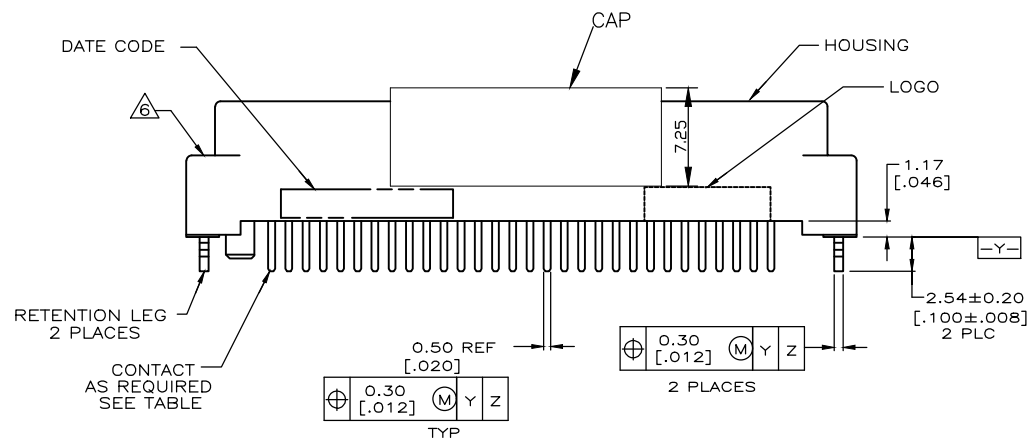
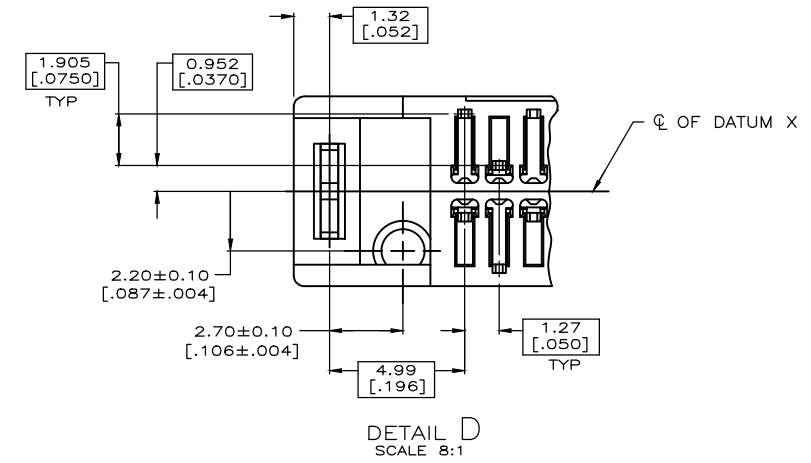
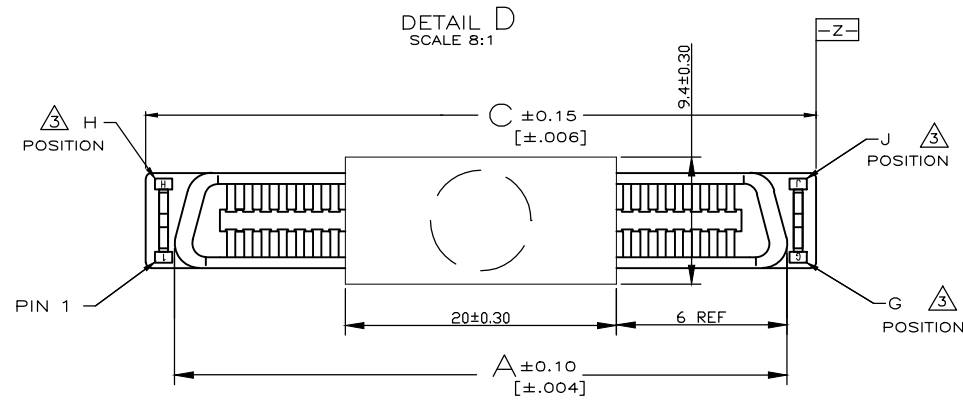
RELEASED FOR PUBLICATION

© COPYRIGHT - By -

ALL RIGHTS RESERVED.

REVISIONS

| P | LTR | DESCRIPTION | DATE | DWN | APVD |
|---|-----|-------------|------|-----|------|
| - | -   | SEE SHEET 1 | -    | -   | -    |



FOR 5-1734100-4 WITH CAP

|                       |             |               |               |               |    |    |    |                |             |      |
|-----------------------|-------------|---------------|---------------|---------------|----|----|----|----------------|-------------|------|
| 0.80-1.60 [.031-.063] | 2.54 [.100] | 36.75 [1.447] | 34.11 [1.343] | 32.47 [1.278] | 20 | 40 | 21 |                | 5-1734100-4 | 40   |
| PCB THICKNESS         | E           | C             | B             | A             | G  | J  | H  | CONTACT PLATED | PART NUMBER | PDS. |

|  |     |                                  |  |                 |                    |                         |                    |       |     |       |     |        |     |                           |            |  |  |  |
|--|-----|----------------------------------|--|-----------------|--------------------|-------------------------|--------------------|-------|-----|-------|-----|--------|-----|---------------------------|------------|--|--|--|
| THIS DRAWING IS A CONTROLLED DOCUMENT.   |     | DWN<br>F. YANG<br>31 MAR 2009    | TE Connectivity Ltd.   |                 |                    |                         |                    |       |     |       |     |        |     |                           |            |  |  |  |
| DIMENSIONS:<br>mm  |     | CHK<br>S. CHIEN<br>31 MAR 2009   |  |                 |                    |                         |                    |       |     |       |     |        |     |                           |            |  |  |  |
| TOLERANCES UNLESS OTHERWISE SPECIFIED:   |     | APVD<br>W. KODAMA<br>31 MAR 2009 | NAME<br>PLUG ASSEMBLY, VERTICAL BOARD-TO-BOARD, CHAMP .050, SERIES I |                 |                    |                         |                    |       |     |       |     |        |     |                           |            |  |  |  |
| <table border="0"> <tr> <td>0 PLC</td><td>± -</td></tr> <tr> <td>1 PLC</td><td>± -</td></tr> <tr> <td>2 PLC</td><td>± -</td></tr> <tr> <td>3 PLC</td><td>± -</td></tr> <tr> <td>4 PLC</td><td>± -</td></tr> <tr> <td>ANGLES</td><td>± -</td></tr> </table> |     | 0 PLC                            | ± -  | 1 PLC           | ± -                | 2 PLC                   | ± -                | 3 PLC | ± - | 4 PLC | ± - | ANGLES | ± - | PRODUCT SPEC<br>108-57876 | SIZE<br>A3 |  |  |  |
| 0 PLC  | ± - |                                  |  |                 |                    |                         |                    |       |     |       |     |        |     |                           |            |  |  |  |
| 1 PLC  | ± - |                                  |  |                 |                    |                         |                    |       |     |       |     |        |     |                           |            |  |  |  |
| 2 PLC  | ± - |                                  |  |                 |                    |                         |                    |       |     |       |     |        |     |                           |            |  |  |  |
| 3 PLC  | ± - |                                  |  |                 |                    |                         |                    |       |     |       |     |        |     |                           |            |  |  |  |
| 4 PLC  | ± - |                                  |  |                 |                    |                         |                    |       |     |       |     |        |     |                           |            |  |  |  |
| ANGLES   | ± - |                                  |  |                 |                    |                         |                    |       |     |       |     |        |     |                           |            |  |  |  |
| MATERIAL<br>SEE NOTE   |     | FINISH<br>SEE NOTE               | APPLICATION SPEC<br>-  | WEIGHT<br>0     | CAGE CODE<br>00779 | DRAWING NO<br>C-1734100 | RESTRICTED TO<br>- |       |     |       |     |        |     |                           |            |  |  |  |
| CUSTOMER DRAWING   |     |                                  | SCALE<br>-   | SHEET<br>2 of 6 | REV<br>E1          |                         |                    |       |     |       |     |        |     |                           |            |  |  |  |

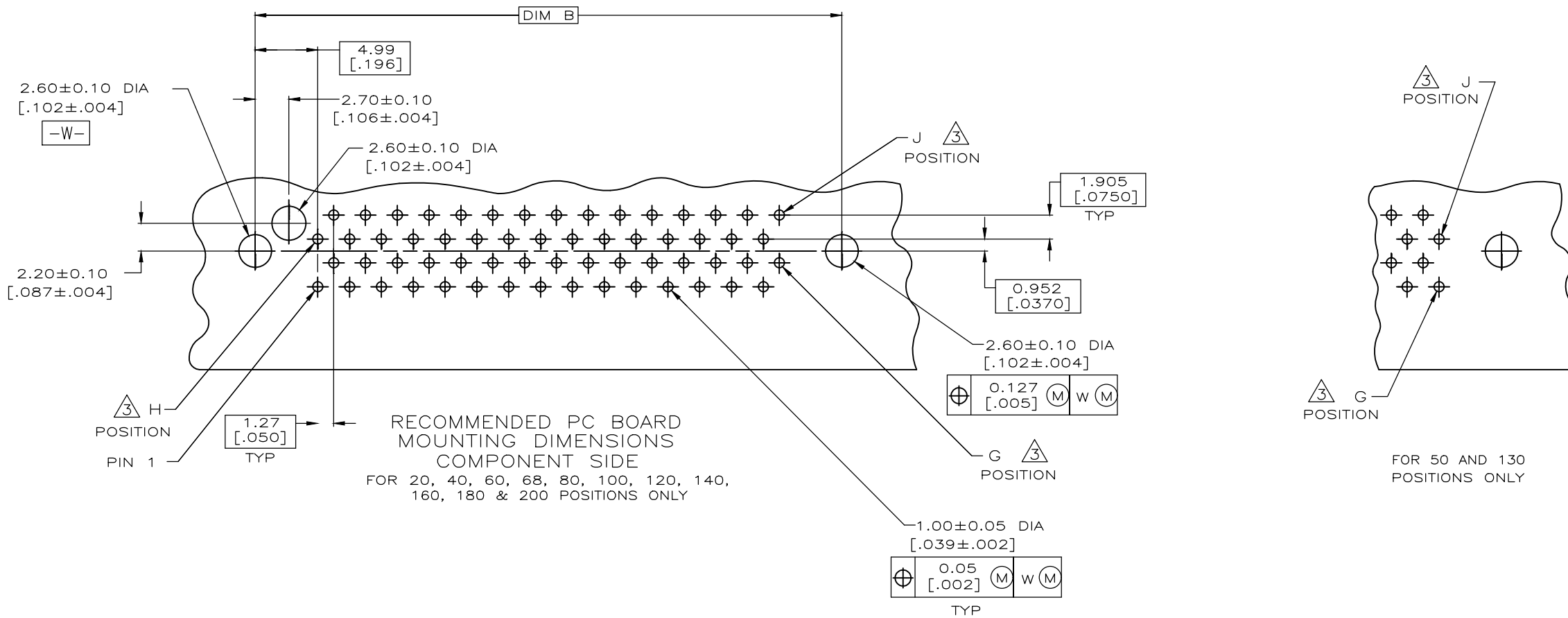
THIS DRAWING IS UNPUBLISHED.

RELEASED FOR PUBLICATION

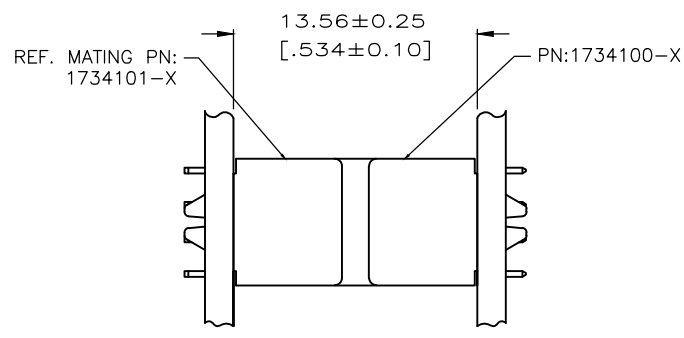
REVISIONS

© COPYRIGHT - By - ALL RIGHTS RESERVED.

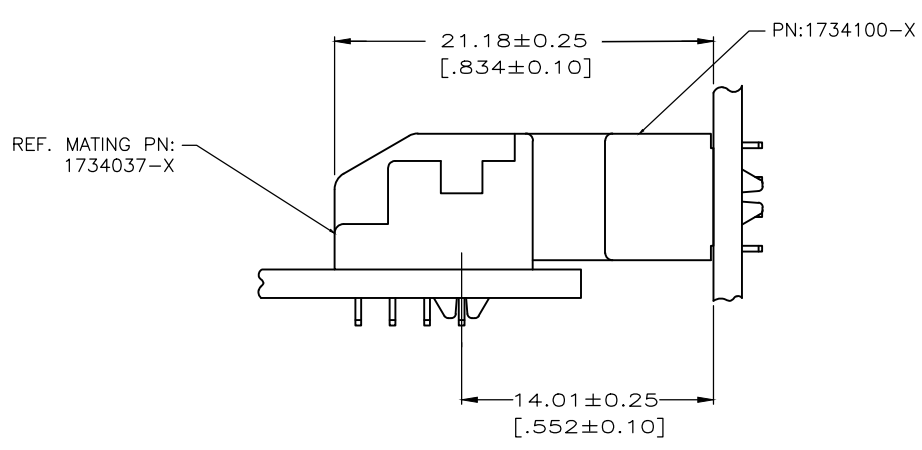
| P | LTR | DESCRIPTION | DATE | DWN | APVD |
|---|-----|-------------|------|-----|------|
| - | -   | SEE SHEET 1 | -    | -   | -    |



RECOMMENDED PC BOARD MOUNTING DIMENSIONS COMPONENT SIDE FOR 20, 40, 60, 68, 80, 100, 120, 140, 160, 180 & 200 POSITIONS ONLY



VERTICAL PLUG ASSEMBLY MATED TO VERTICAL RECEPTACLE ASSEMBLY



VERTICAL PLUG ASSEMBLY MATED TO RIGHT ANGLE RECEPTACLE ASSEMBLY

|  |  |  |           |            |               |
|--|--|--|-----------|------------|---------------|
| THIS DRAWING IS A CONTROLLED DOCUMENT. |  | DWN  | -         |            |               |
| DIMENSIONS: mm                         |  | CHK  | -         |            |               |
| TOLERANCES UNLESS OTHERWISE SPECIFIED: |  | APVD   | -         |            |               |
| 0 PLC ± -                              |  | PRODUCT SPEC   | -         |            |               |
| 1 PLC ± -                              |  | APPLICATION SPEC   | -         |            |               |
| 2 PLC ± -                              |  | WEIGHT   | -         |            |               |
| 3 PLC ± -                              |  | TE Connectivity Ltd.   |           |            |               |
| 4 PLC ± -                              |  | NAME<br>PLUG ASSEMBLY, VERTICAL BOARD-TO-BOARD, CHAMP .050, SERIES I |           |            |               |
| ANGLES ± -                             |  | SIZE   | CAGE CODE | DRAWING NO | RESTRICTED TO |
| FINISH                                 |  | A3   | 00779     | C-1734100  | -             |
| MATERIAL                               |  | CUSTOMER DRAWING   |           | SCALE      | SHEET 3 of 6  |
|  |  |  |           | REV        | E1            |

4

3

2

1

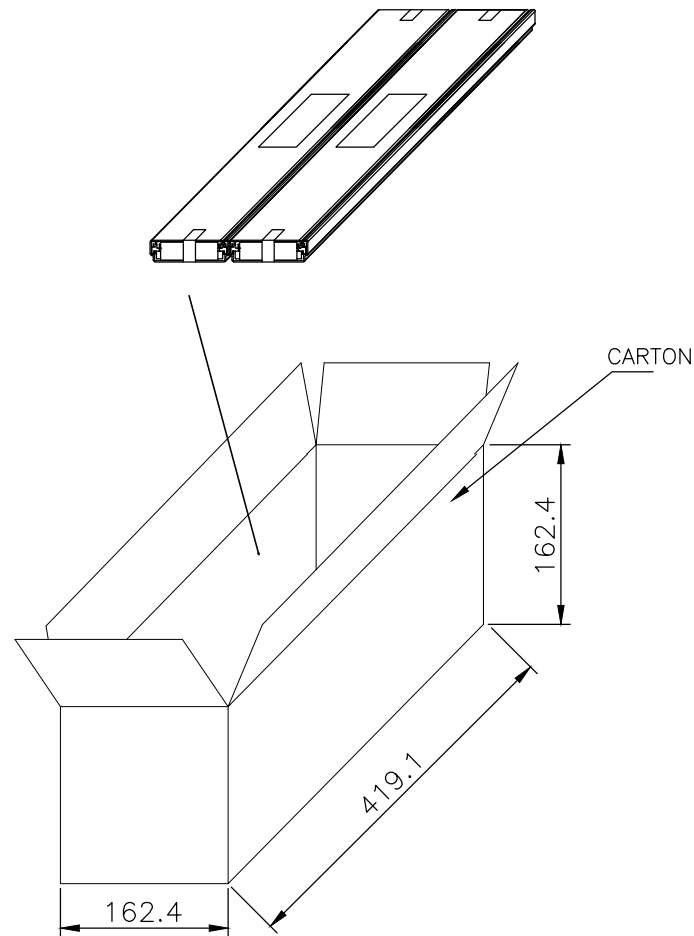
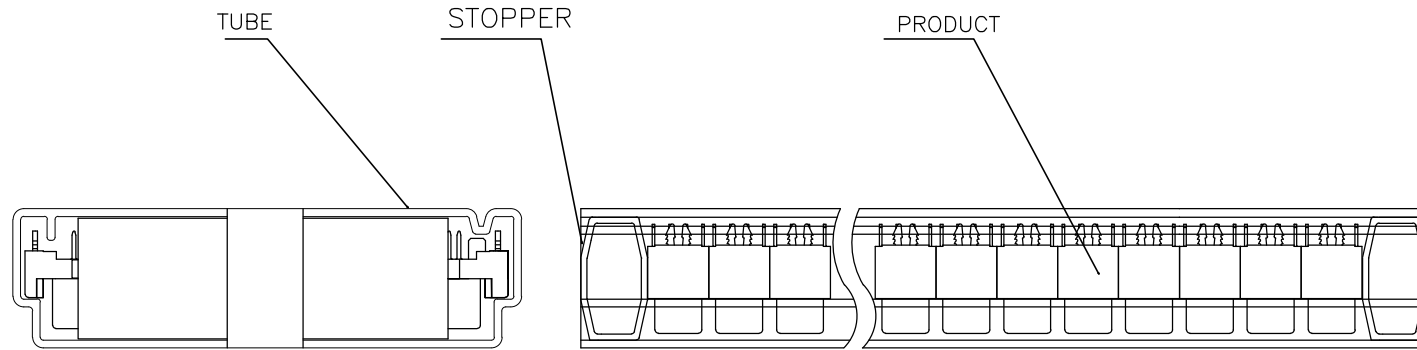
THIS DRAWING IS UNPUBLISHED.

RELEASED FOR PUBLICATION

REVISIONS

© COPYRIGHT - By - ALL RIGHTS RESERVED.

| P | LTR | DESCRIPTION | DATE | DWN | APVD |
|---|-----|-------------|------|-----|------|
| - | -   | SEE SHEET 1 | -    | -   | -    |



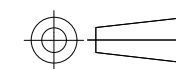
|             |             |          |              |                       |             |      |
|-------------|-------------|----------|--------------|-----------------------|-------------|------|
| 4.88        | 3.42        | 54       | 8            | 432                   | 5-1734100-2 | 120  |
|             |             |          |              |                       | 3-1734100-2 |      |
|             |             |          |              |                       | 1-1734100-2 |      |
| 7.70        | 5.58        | 54       | 16           | 864                   | 5-1734100-0 | 100  |
|             |             |          |              |                       | 3-1734100-0 |      |
|             |             |          |              |                       | 1-1734100-0 |      |
| 5.28        | 3.80        | 54       | 16           | 864                   | 4-1734100-9 | 80   |
|             |             |          |              |                       | 2-1734100-9 |      |
|             |             |          |              |                       | 1734100-9   |      |
| 5.38        | 3.90        | 54       | 16           | 864                   | 4-1734100-8 | 68   |
|             |             |          |              |                       | 2-1734100-8 |      |
|             |             |          |              |                       | 1734100-8   |      |
| 4.76        | 3.37        | 54       | 16           | 864                   | 4-1734100-7 | 60   |
|             |             |          |              |                       | 2-1734100-7 |      |
|             |             |          |              |                       | 1734100-7   |      |
| 4.36        | 3.11        | 54       | 16           | 864                   | 4-1734100-6 | 50   |
|             |             |          |              |                       | 2-1734100-6 |      |
|             |             |          |              |                       | 1734100-6   |      |
| 5.72        | 4.08        | 54       | 24           | 1296                  | 5-1734100-9 | 30   |
|             |             |          |              |                       | 3-1734100-9 |      |
|             |             |          |              |                       | 1-1734100-9 |      |
| 5.70        | 4.07        | 54       | 24           | 1296                  | 4-1734100-5 | 40   |
|             |             |          |              |                       | 2-1734100-5 |      |
|             |             |          |              |                       | 1734100-5   |      |
| 4.77        | 3.50        | 54       | 24           | 1296                  | 4-1734100-4 | 30   |
|             |             |          |              |                       | 2-1734100-4 |      |
|             |             |          |              |                       | 1734100-4   |      |
| 4.46        | 3.03        | 54       | 24           | 1296                  | 4-1734100-3 | 30   |
|             |             |          |              |                       | 2-1734100-3 |      |
|             |             |          |              |                       | 1734100-3   |      |
| G.W./CARTON | N.W./CARTON | PCS/TUBE | TUBES/CARTON | QUANTITY/CARTON (PCS) | PART NUMBER | PDS. |

Ⓣ OBSOLETE

Ⓣ OBSOLETE

THIS DRAWING IS A CONTROLLED DOCUMENT.

DIMENSIONS: mm



TOLERANCES UNLESS OTHERWISE SPECIFIED:

- 0 PLC ± -
- 1 PLC ± -
- 2 PLC ± -
- 3 PLC ± -
- 4 PLC ± -
- ANGLES ± -
- FINISH

MATERIAL

|                  |   |
|------------------|---|
| DWN              | - |
| CHK              | - |
| APVD             | - |
| PRODUCT SPEC     | - |
| APPLICATION SPEC | - |
| WEIGHT           | - |
| CUSTOMER DRAWING | - |



PLUG ASSEMBLY, VERTICAL BOARD-TO-BOARD, CHAMP .050, SERIES I

|      |           |            |               |
|------|-----------|------------|---------------|
| SIZE | CAGE CODE | DRAWING NO | RESTRICTED TO |
| A3   | 00779     | C-1734100  | -             |

|       |        |     |
|-------|--------|-----|
| SCALE | SHEET  | REV |
| -     | 4 OF 6 | E1  |

4

3

2

1

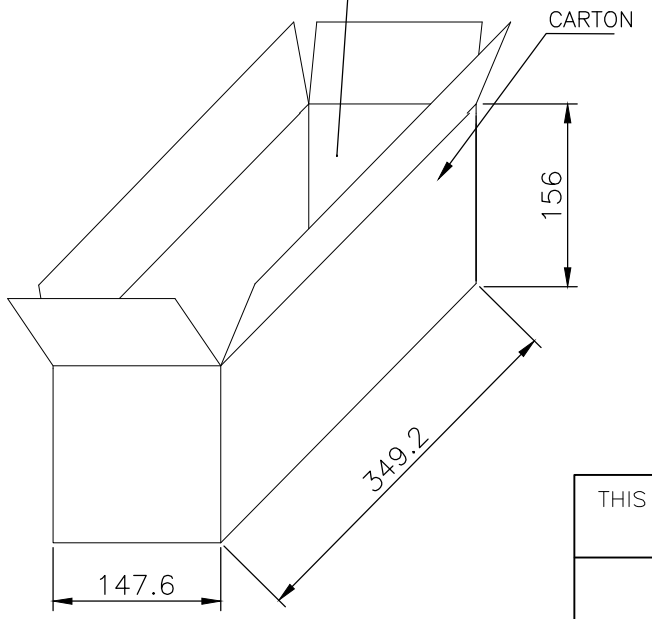
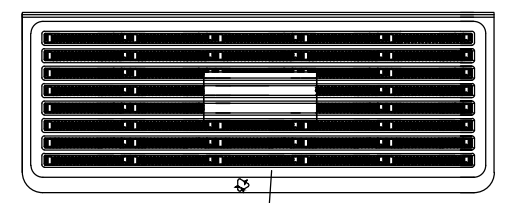
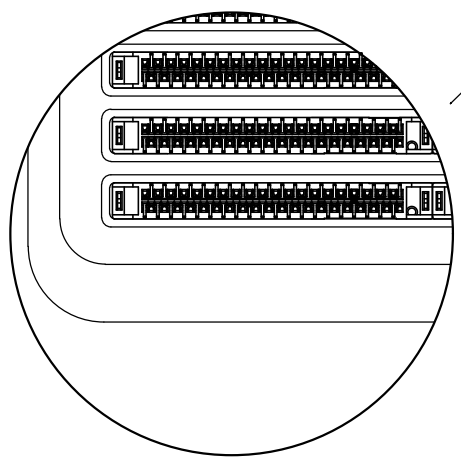
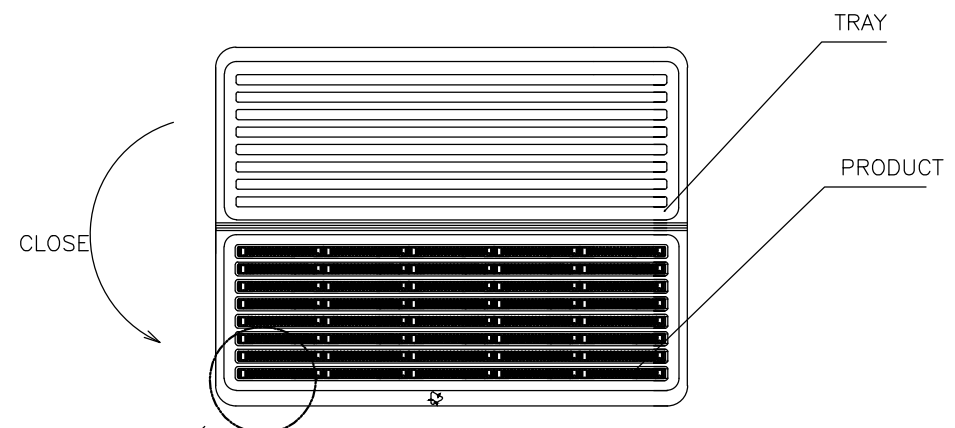
THIS DRAWING IS UNPUBLISHED.

RELEASED FOR PUBLICATION

REVISIONS

© COPYRIGHT - By - ALL RIGHTS RESERVED.

| P | LTR | DESCRIPTION | DATE | DWN | APVD |
|---|-----|-------------|------|-----|------|
| - | -   | SEE SHEET 1 | -    | -   | -    |

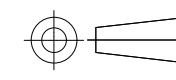


| G.W./CARTON (KG) | N.W./CARTON (KG) | PCS/TRAY | TRAYS/CARTON | QUANTITY/CARTON (PCS) | PART NUMBER                               | PDS. |
|------------------|------------------|----------|--------------|-----------------------|---|------|
|                  |                  |          |              |                       |   |      |
| 2.62             | 1.73             | 16       | 10           | 160                   | 5-1734100-6<br>3-1734100-6<br>1-1734100-6 | 160  |

ⓓ2 OBSOLETE

THIS DRAWING IS A CONTROLLED DOCUMENT.

DIMENSIONS: mm



TOLERANCES UNLESS OTHERWISE SPECIFIED:

- 0 PLC ± -
- 1 PLC ± -
- 2 PLC ± -
- 3 PLC ± -
- 4 PLC ± -
- ANGLES ± -

MATERIAL

FINISH

|                  |   |
|------------------|---|
| DWN              | - |
| CHK              | - |
| APVD             | - |
| PRODUCT SPEC     | - |
| APPLICATION SPEC | - |
| WEIGHT           | - |
| CUSTOMER DRAWING |   |



PLUG ASSEMBLY, VERTICAL BOARD-TO-BOARD, CHAMP .050, SERIES I

|      |           |            |               |
|------|-----------|------------|---------------|
| SIZE | CAGE CODE | DRAWING NO | RESTRICTED TO |
| A3   | 00779     | C-1734100  | -             |

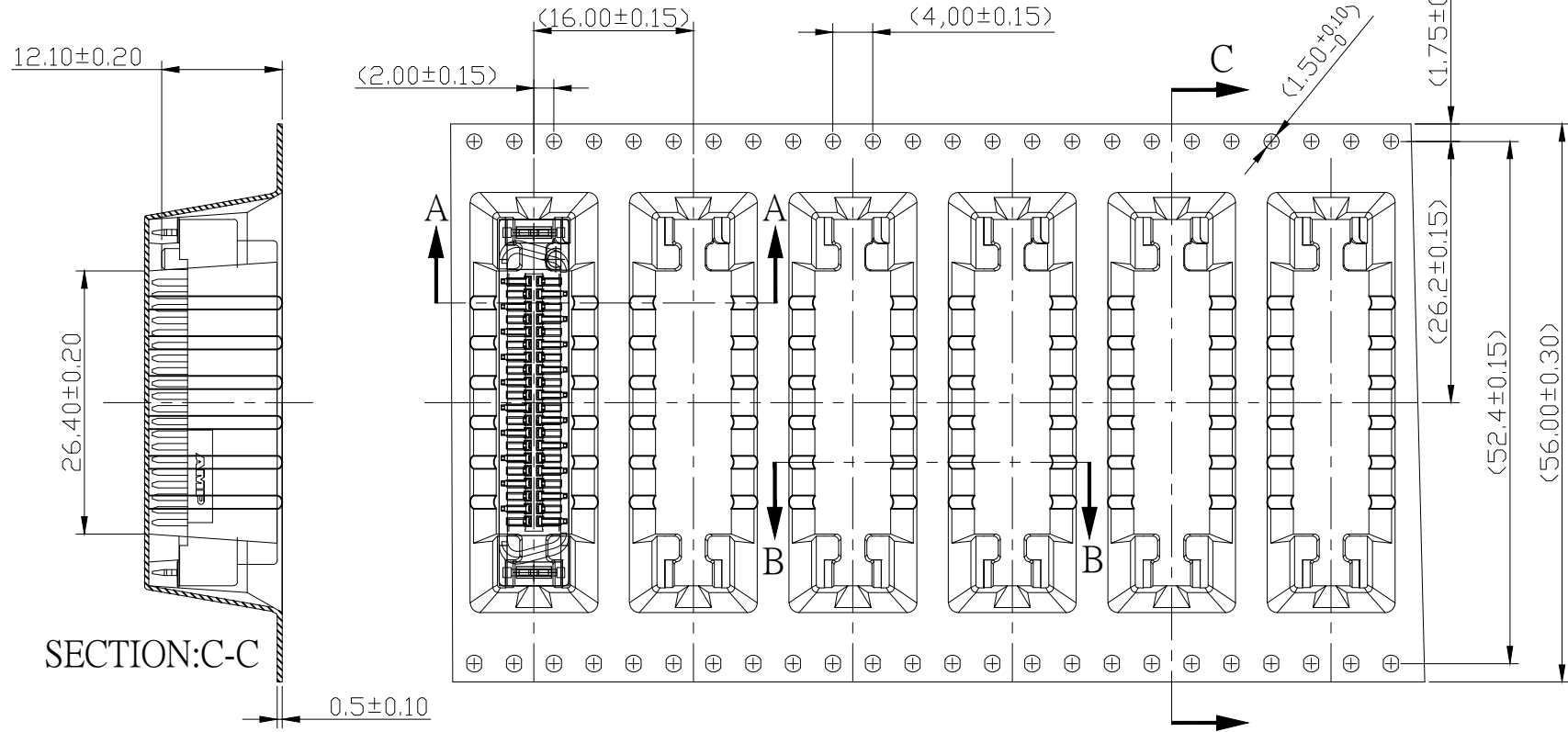
|       |        |     |
|-------|--------|-----|
| SCALE | SHEET  | REV |
| -     | 5 of 6 | E1  |

THIS DRAWING IS UNPUBLISHED. RELEASED FOR PUBLICATION

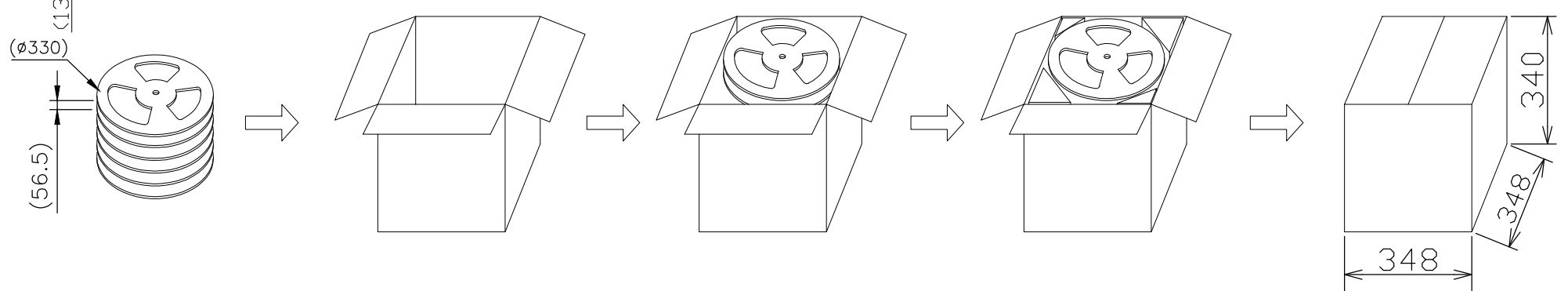
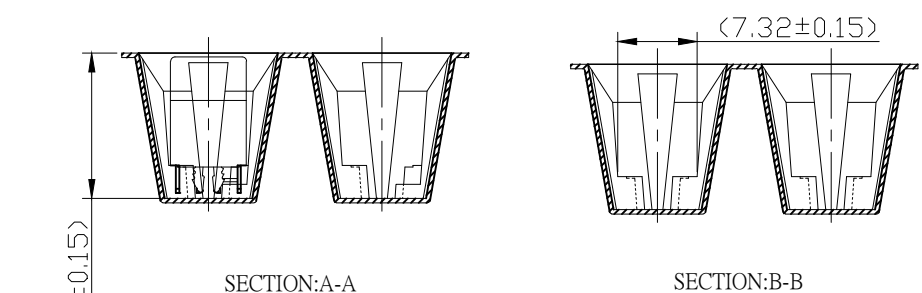
© COPYRIGHT - By - ALL RIGHTS RESERVED.

REVISIONS

| P | LTR | DESCRIPTION | DATE | DWN | APVD |
|---|-----|-------------|------|-----|------|
| - | -   | SEE SHEET 1 | -    | -   | -    |



SECTION:C-C



THIS DRAWING IS A CONTROLLED DOCUMENT.

| DIMENSIONS: | TOLERANCES UNLESS OTHERWISE SPECIFIED: |
|-------------|--|
| mm          |  |
|             | 0 PLC ± -                              |
|             | 1 PLC ± -                              |
|             | 2 PLC ± -                              |
|             | 3 PLC ± -                              |
|             | 4 PLC ± -                              |
|             | ANGLES ± -                             |

|                  |   |
|------------------|---|
| DWN              | - |
| CHK              | - |
| APVD             | - |
| PRODUCT SPEC     | - |
| APPLICATION SPEC | - |
| WEIGHT           | 0 |

**STE** TE Connectivity Ltd.

PLUG ASSEMBLY, VERTICAL  
BOARD-TO-BOARD,  
CHAMP .050, SERIES I

|      |           |            |               |
|------|-----------|------------|---------------|
| SIZE | CAGE CODE | DRAWING NO | RESTRICTED TO |
| A3   | 00779     | C-1734100  | -             |

| 7.3              | 3.5              | 200      | 5           | 1000                  | 5-1734100-4 | 40   |
|------------------|------------------|----------|-------------|-----------------------|-------------|------|
| G.W./CARTON (KG) | N.W./CARTON (KG) | PCS/REEL | REEL/CARTON | QUANTITY/CARTON (PCS) | PART NUMBER | POS. |

|          |        |                  |       |        |     |
|----------|--------|------------------|-------|--------|-----|
| MATERIAL | FINISH | CUSTOMER DRAWING | SCALE | SHEET  | REV |
| -        | -      | -                | -     | 6 of 6 | E1  |

## X-ON Electronics

Largest Supplier of Electrical and Electronic Components

*Click to view similar products for [Board to Board & Mezzanine Connectors](#) category:*

*Click to view products by [TE Connectivity](#) manufacturer:*

Other Similar products are found below :

[589158040000018](#) [MDF7C-18P-2.54DSA\(55\)](#) [FCN-230C068-11](#) [FCN-268F012-G/BD](#) [FCN-268F036-G/BD](#) [FCN-268M012-G/0D](#) [FCN-268M024-G/1D](#) [FCN-723J004/1](#) [MIS-048-01-F-D-DP-K](#) [832-10-034-10-001000](#) [FX4C-80S-1.27DSA](#) [FCN-214Q030-G/0](#) [FCN-234P048-G/0](#) [FCN-235D050-G/C](#) [210-93-314-41-105000](#) [2-22603-0](#) [MDF7-40DP-2.54DSA\(55\)](#) [AXG720047](#) [5031084030](#) [MIT-114-03-F-D-K](#) [55323-1519](#) [DF33-2P-3.3DSA\(24\)](#) [YFT-20-05-H-03-SB-K](#) [503308-3040](#) [026-6203-PDB](#) [027-6203-PDB](#) [069159702701000](#) [10123981-102LF](#) [101A10019X](#) [55650-0588-C](#) [68684-306](#) [75140-7012](#) [589159005003045](#) [194261-1](#) [FCN-268F024-G0D](#) [10124054-515LF](#) [68685-603](#) [8-1616154-3](#) [MIS-019-01-F-D](#) [589159005002045](#) [541371078](#) [IL-WX-10PB-HF-B-E1000E](#) [FCN-268M024-G/3D](#) [20021832-06016C1LF](#) [KX15-20KLDL-E1000E](#) [MDF7-16DP-2.54DSA\(55\)](#) [AXE810124](#) [FCN-214J100-G/0](#) [FCN-230C068-E/S](#) [AXE812124](#)