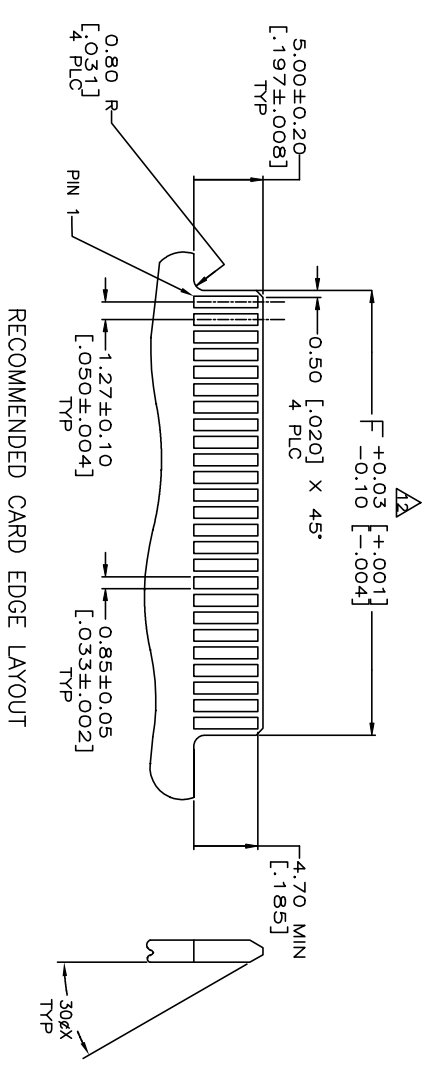
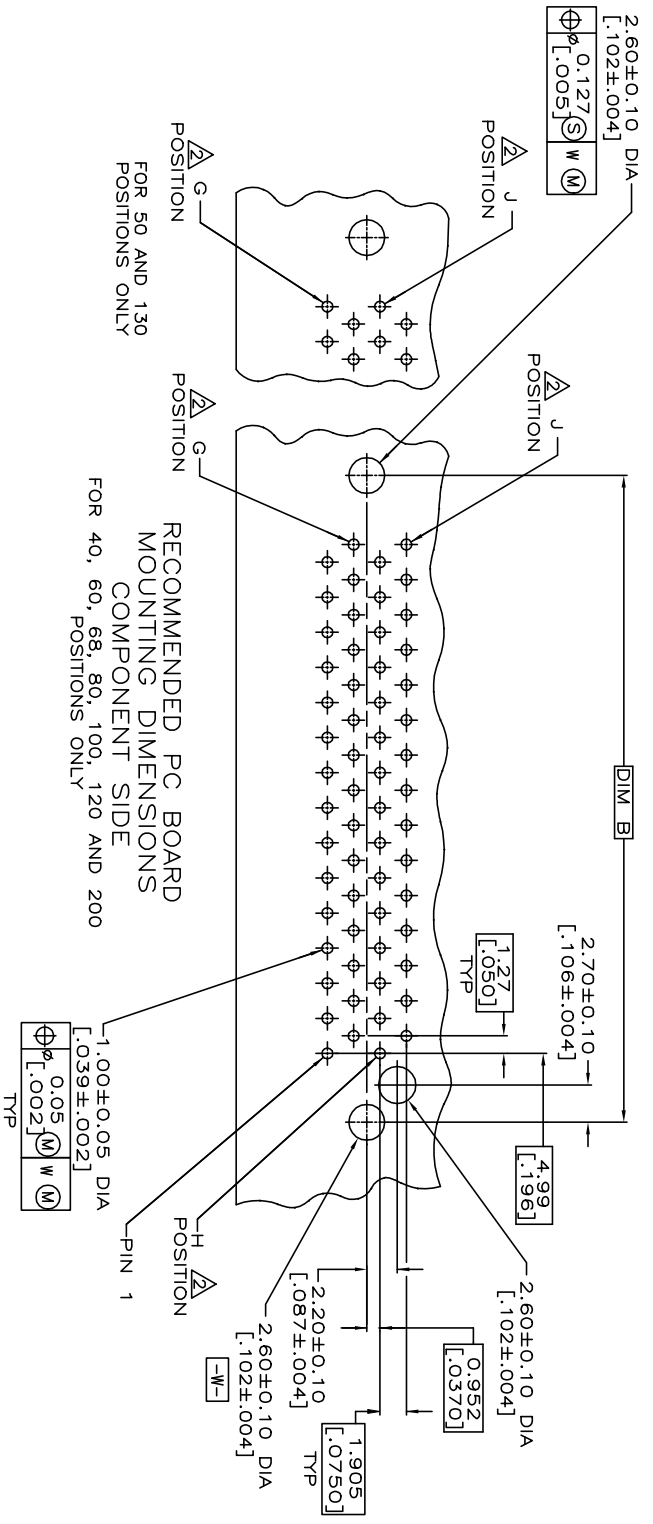


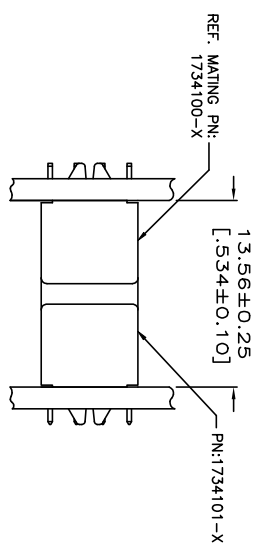
LOC	DIST	P	LTR	DESCRIPTION	DATE	DWN	APVD
DW				SEE SHEET 1.			

REVISIONS

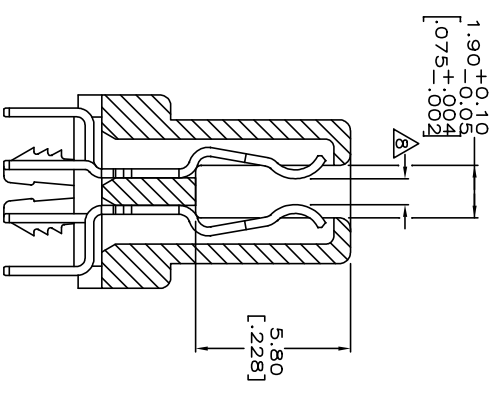
REV	DATE	BY	DESCRIPTION
2			
1			



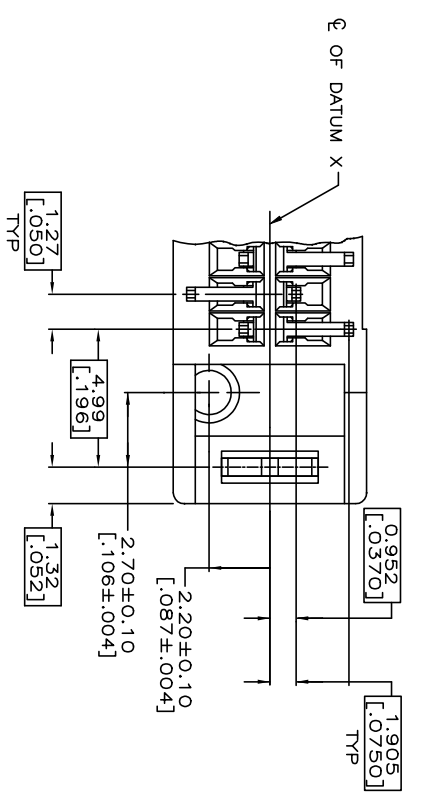
RECOMMENDED CARD EDGE LAYOUT



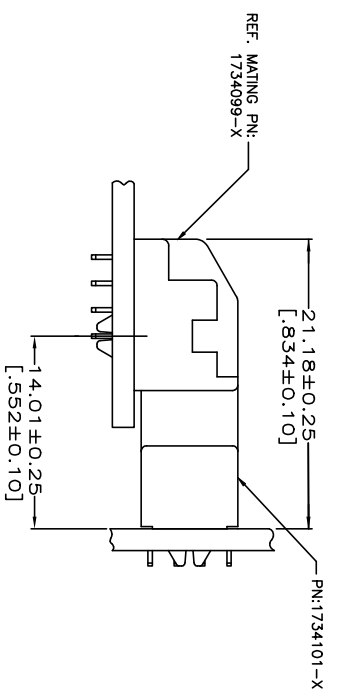
VERTICAL RECEPTACLE ASSEMBLY MATED TO VERTICAL PLUG ASSEMBLY



SECTION E-E SCALE 8:1



DETAIL D SCALE 8:1



VERTICAL RECEPTACLE ASSEMBLY MATED TO VERTICAL PLUG ASSEMBLY

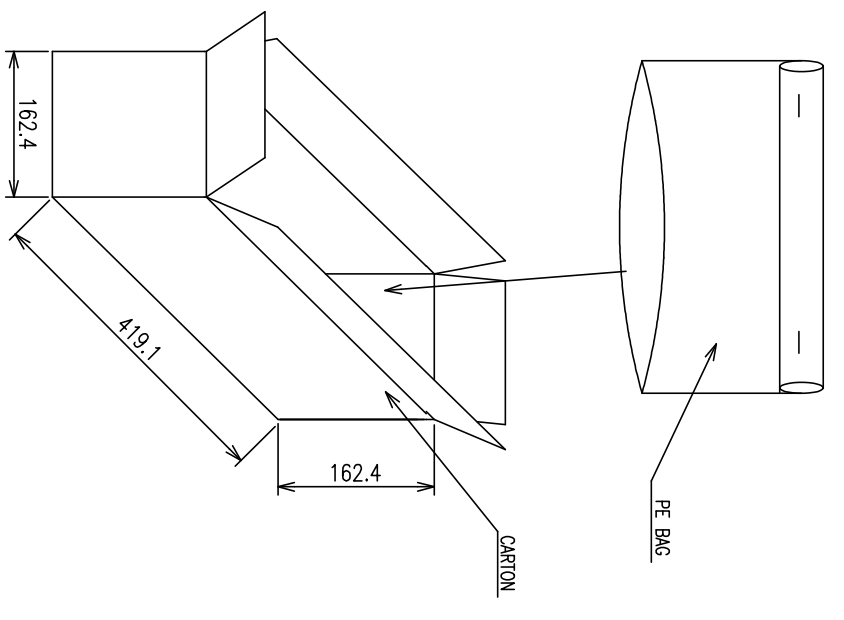
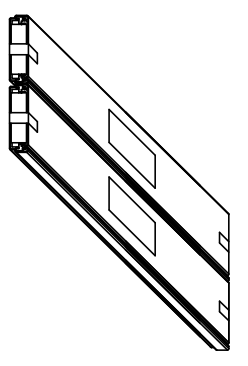
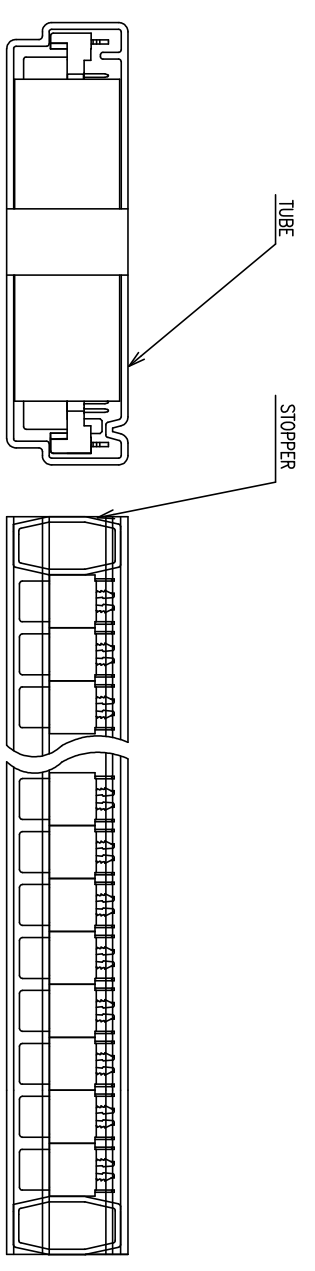
THIS DRAWING IS A CONTROLLED DOCUMENT.

DIMENSIONS: MM		TOLERANCES UNLESS OTHERWISE SPECIFIED:		DWN	CHK	APVD	PRODUCT SPEC	NAME
0 PLC		±						<p>TE Connectivity</p> <p>RECEPTACLE ASSEMBLY, VERTICAL, BOARD-TO-BOARD, CHAMP.050, SERIES 1,</p>
1 PLC		±						
2 PLC		±						
3 PLC		±						
4 PLC		±						
FINISH ANGLES		±						
MATERIAL								
QUALIFICATION TEST REPORT								
WEIGHT								
CUSTOMER DRAWING								
SIZE	CAGE CODE	DRAWING NO	RESTRICTED TO					
A3	00779	1734101						
SCALE	SHEET	REV						
	2 OF 4	E2						

THIS DRAWING IS UNPUBLISHED.
 RELEASED FOR PUBLICATION
 AUG. 2006.
 BY TYCO ELECTRONICS CORPORATION.
 ALL RIGHTS RESERVED.

Loc DW
 DIST

REVISIONS			
P	LTR	DESCRIPTION	DATE
		SEE SHEET 1.	



OBsolete	G.W./CARTON (KG)	N.W./CARTON (KG)	PCS/TUBE	TUBES/CARTON	QUANTITY/CARTON (PCS)	PART NUMBER	POS.
OBsolete	4.21	2.89	54	8	432	5-1734101-3 3-1734401-3 1-1734101-3 5-1734101-2 3-1734101-2 1-1734101-2	120
OBsolete	6.84	4.92	54	16	864	5-1734401-1 3-1734401-1 1-1734101-1 5-1734101-0 3-1734101-0 1-1734101-0	100
OBsolete	5.61	4.06	54	16	864	5-1734401-8 3-1734401-8 1-1734101-8 4-1734101-8 6-1734101-8 1734101-8	80
OBsolete	5.05	3.63	54	16	864	4-1734101-7 6-1734101-7 1734101-7	68
	4.65	3.23				7-1734101-7	
	4.28	3.11	54	16	864	4-1734101-6 6-1734101-6 1734101-6	60
	4.72	3.42				2-1734101-7 5-1734401-7 3-1734401-7	
OBsolete	5.32	4.02	54	24	1296	1-1734101-7 4-1734101-5 6-1734101-5 1734101-5	50
	4.42	3.37	54	24	1296	4-1734101-4 6-1734101-4 1734101-4	40
	6.25	5.36	54	32	1728	4-1734101-3 6-1734101-3 1734101-3	30

THIS DRAWING IS A CONTROLLED DOCUMENT.

DIMENSIONS:	TOLERANCES UNLESS OTHERWISE SPECIFIED:
MM	0 PLC ± .1
	1 PLC ± .1
	2 PLC ± .1
	3 PLC ± .1
	4 PRC ANGLES ± .1
MATERIAL	FINISH

DMN	CHK	APVD	PRODUCT SPEC	QUALIFICATION TEST REPORT	WEIGHT	CUSTOMER DRAWING
<p>STE TE Connectivity</p> <p>RECEPTACLE ASSEMBLY, VERTICAL, BOARD-TO-BOARD, CHAMP.050, SERIES 1,</p>						
NAME	SIZE	CAGE CODE	DRAWING NO	RESTRICTED TO		
A3	00779	1734101				
SCALE	SHEET	REV				
	3 OF 4	E2				

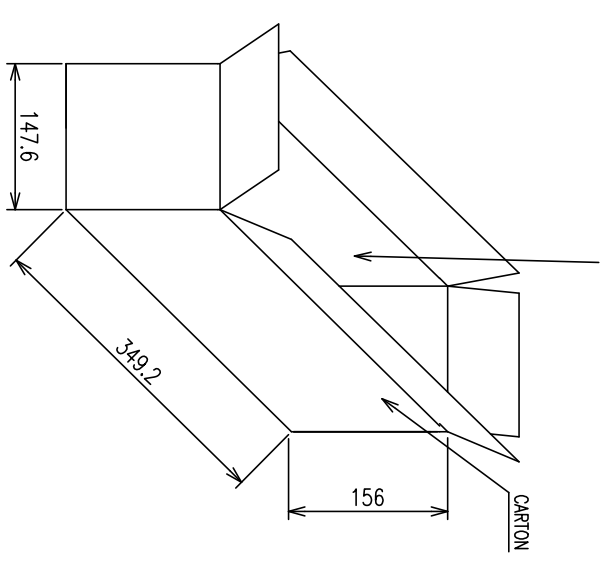
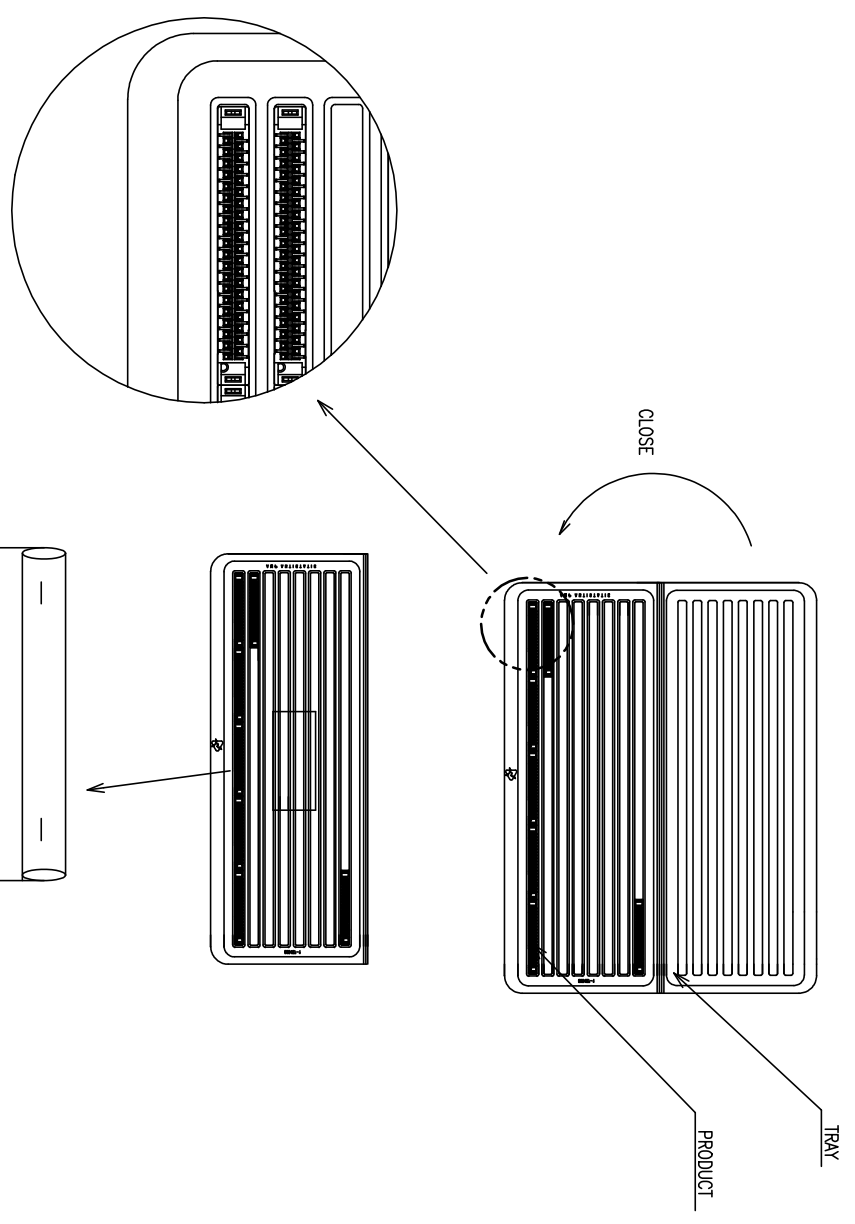
THIS DRAWING IS UNPUBLISHED.
 © COPYRIGHT - BY TYCO ELECTRONICS CORPORATION. ALL RIGHTS RESERVED.

RELEASED FOR PUBLICATION
 AUG. 2006.

Loc DW
 DIST

REVISIONS

P	LTR	DESCRIPTION	DATE	DWN	APVD
		SEE SHEET 1.			

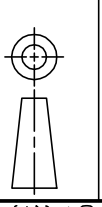


DESCRIPTION	G.W./CARTON (KG)	N.W./CARTON (KG)	PCS/TRAY	TRAYS/CARTON	QUANTITY/CARTON (PCS)	PART NUMBER	POS.
OBSOLETE	2.69	1.71	16	10	160	5-1734101-6 3-1734101-6 1-1734101-6 5-1734101-5 3-1734101-5 1-1734101-5	200
	2.37	1.39	16	10	160	5-1734101-4 3-1734101-4 1-1734101-4	160
OBSOLETE	2.48	1.50	32	10	320	4-1734101-9 6-1734101-9 1734101-9	80

THIS DRAWING IS A CONTROLLED DOCUMENT.

DIMENSIONS: MM

TOLERANCES UNLESS OTHERWISE SPECIFIED:	±
0 PLC	±
1 PLC	±
2 PLC	±
3 PLC	±
4. P.C. ANGLES	±



TE Connectivity

RECEPTACLE ASSEMBLY,
 VERTICAL, BOARD-TO-BOARD,
 CHAMP.050, SERIES 1,

MATERIAL

QUALIFICATION TEST REPORT

WEIGHT

CUSTOMER DRAWING

APVD

PRODUCT SPEC

NAME

SIZE

CAGE CODE

DRAWING NO

SCALE

SHEET

REV

RESTRICTED TO

X-ON Electronics

Largest Supplier of Electrical and Electronic Components

Click to view similar products for [Board to Board & Mezzanine Connectors](#) category:

Click to view products by [TE Connectivity](#) manufacturer:

Other Similar products are found below :

[589158040000018](#) [MDF7C-18P-2.54DSA\(55\)](#) [FCN-230C068-11](#) [FCN-268F012-G/BD](#) [FCN-268F036-G/BD](#) [FCN-268M012-G/0D](#) [FCN-268M024-G/1D](#) [FCN-723J004/1](#) [MIS-048-01-F-D-DP-K](#) [832-10-034-10-001000](#) [FX4C-80S-1.27DSA](#) [FCN-214Q030-G/0](#) [FCN-234P048-G/0](#) [FCN-235D050-G/C](#) [210-93-314-41-105000](#) [2-22603-0](#) [MDF7-40DP-2.54DSA\(55\)](#) [AXG720047](#) [5031084030](#) [MIT-114-03-F-D-K](#) [55323-1519](#) [DF33-2P-3.3DSA\(24\)](#) [YFT-20-05-H-03-SB-K](#) [503308-3040](#) [026-6203-PDB](#) [027-6203-PDB](#) [069159702701000](#) [10123981-102LF](#) [101A10019X](#) [55650-0588-C](#) [68682-310LF](#) [68684-306](#) [75140-7012](#) [87471-650](#) [194261-1](#) [FCN-268F024-G0D](#) [10124054-515LF](#) [68685-603](#) [8-1616154-3](#) [MIS-019-01-F-D](#) [FCN-268M024-G/3D](#) [20021832-06016C1LF](#) [KX15-20KLDL-E1000E](#) [MDF7-16DP-2.54DSA\(55\)](#) [AXE810124](#) [FCN-214J100-G/0](#) [FCN-230C068-E/S](#) [AXE812124](#) [AXE816124](#) [AXE720127](#)