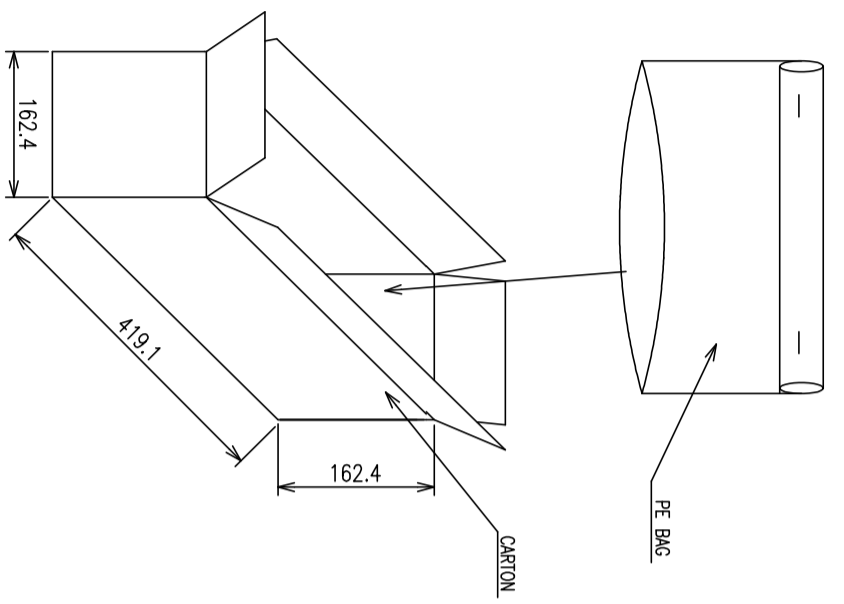
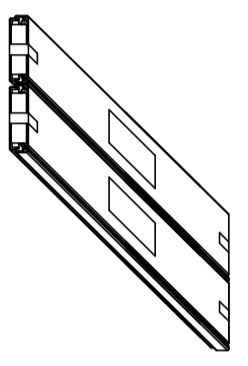
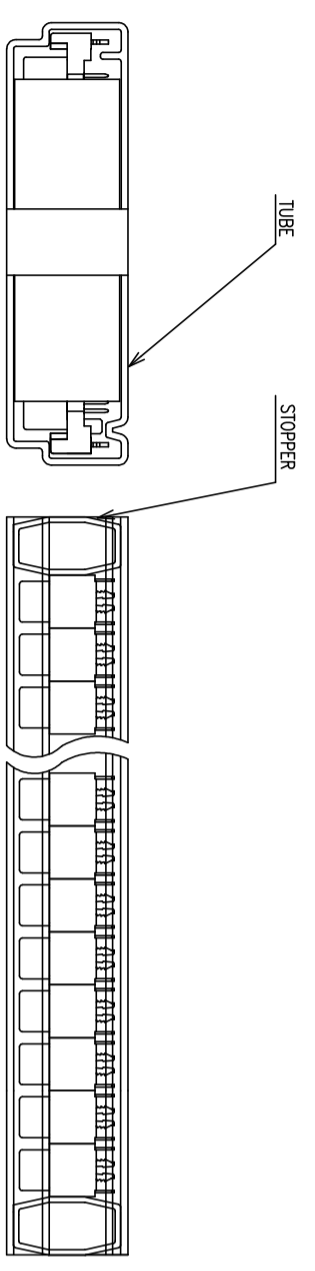


Loc	DIST	REVISIONS	DATE	DMN	APVD
DW					
P	LTR	DESCRIPTION			
		SEE SHEET 1.			



DMN	G.W./CARTON (KG)	N.W./CARTON (KG)	PCS/TUBE	TUBES/CARTON	QUANTITY/CARTON (PCS)	PART NUMBER	POS.
OBSOLETE	4.21	2.89	54	8	432	5-1734101-3	
						3-1734101-3	
						1-1734101-3	120
						5-1734101-2	
						3-1734101-2	
						1-1734101-2	
OBSOLETE	6.84	4.92	54	16	864	5-1734101-1	
						3-1734101-1	
						1-1734101-1	100
						5-1734101-0	
						3-1734101-0	
						1-1734101-0	
OBSOLETE	5.61	4.06	54	16	864	5-1734101-8	
						3-1734101-8	
						1-1734101-8	80
						4-1734101-8	
						6-1734101-8	
						1734101-8	
						4-1734101-7	
						6-1734101-7	68
						1734101-7	
						7-1734101-7	
	4.65	3.23	54	16	864	4-1734101-6	
						6-1734101-6	60
						1734101-6	
	4.28	3.11	54	16	864	2-1734101-6	
						5-1734101-7	
						3-1734101-7	
						1-1734101-7	50
						4-1734101-5	
						6-1734101-5	
						1734101-5	
	5.32	4.02	54	24	1296	4-1734101-4	
						6-1734101-4	40
						1734101-4	
	4.42	3.37	54	24	1296	4-1734101-3	
						6-1734101-3	30
						1734101-3	
	6.25	5.36	54	32	1728	4-1734101-3	
						6-1734101-3	
						1734101-3	
OBSOLETE	4.72	3.42				2-1734101-7	
						5-1734101-7	
						3-1734101-7	

THIS DRAWING IS A CONTROLLED DOCUMENT.

STE TE Connectivity

RECEPTACLE ASSEMBLY,
VERTICAL, BOARD-TO-BOARD,
CHAMP.050, SERIES 1,

DMN _____
CHK _____
APVD _____
PRODUCT SPEC _____
QUALIFICATION TEST REPORT _____
WEIGHT _____
CUSTOMER DRAWING _____

TOLERANCES UNLESS OTHERWISE SPECIFIED:
0 PLC ± .1
1 PLC ± .1
2 PLC ± .1
3 PLC ± .1
4 PRC ANGLES ± .1

DIMENSIONS: MM

SIZE A3
CAGE CODE 00779
DRAWING NO. 1734101

SCALE _____ SHEET 3 OF 4 REV E2

RESTRICTED TO

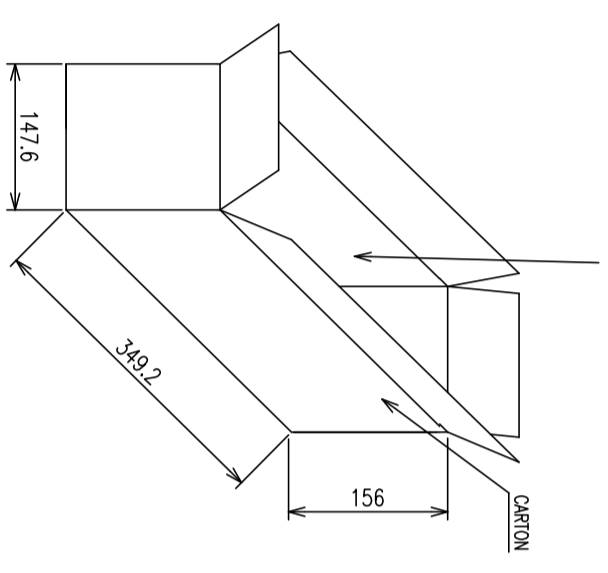
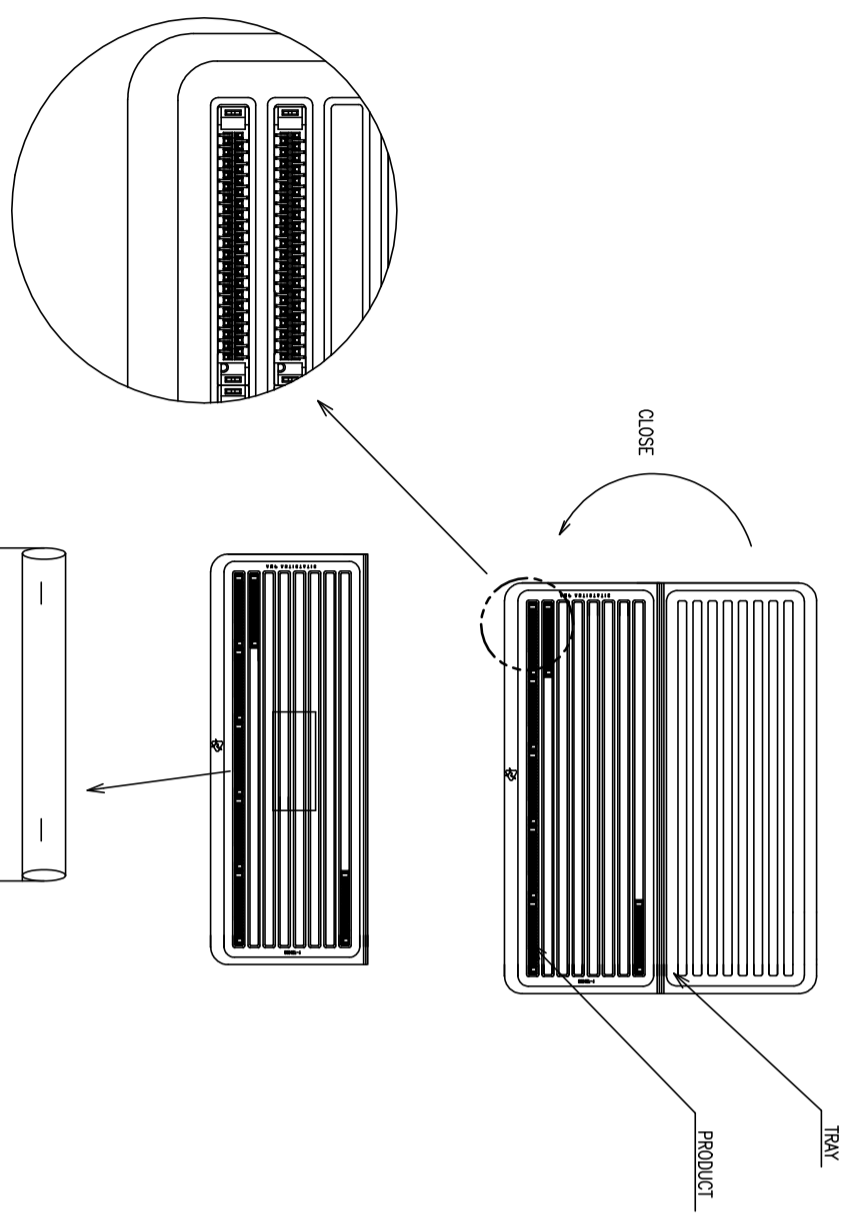
THIS DRAWING IS UNPUBLISHED.
 © COPYRIGHT - BY TYCO ELECTRONICS CORPORATION. ALL RIGHTS RESERVED.

RELEASED FOR PUBLICATION
 AUG. 2006.

Loc DW
 DIST

REVISIONS

P	LTR	DESCRIPTION	DATE	DWN	APVD
		SEE SHEET 1.			



DESCRIPTION	G.W./CARTON (KG)	N.W./CARTON (KG)	PCS/TRAY	TRAYS/CARTON	QUANTITY/CARTON (PCS)	PART NUMBER	POS.
OBSOLETE	2.69	1.71	16	10	160	5-1734101-6 3-1734101-6 1-1734101-6 5-1734101-5 3-1734101-5 1-1734101-5	200
	2.37	1.39	16	10	160	5-1734101-4 3-1734101-4 1-1734101-4	160
OBSOLETE	2.48	1.50	32	10	320	4-1734101-9 6-1734101-9 1734101-9	80

THIS DRAWING IS A CONTROLLED DOCUMENT.

DIMENSIONS: MM

TOLERANCES UNLESS OTHERWISE SPECIFIED:	±
0 PLC	±
1 PLC	±
2 PLC	±
3 PLC	±
4. P.C. ANGLES	±



TE Connectivity

RECEPTACLE ASSEMBLY,
 VERTICAL, BOARD-TO-BOARD,
 CHAMP.050, SERIES 1,

MATERIAL

QUALIFICATION TEST REPORT

WEIGHT

CUSTOMER DRAWING

APVD

PRODUCT SPEC

NAME

SIZE

CAGE CODE

DRAWING NO

SCALE

SHEET

REV

RESTRICTED TO

X-ON Electronics

Largest Supplier of Electrical and Electronic Components

Click to view similar products for [I/O Connectors](#) category:

Click to view products by [TE Connectivity](#) manufacturer:

Other Similar products are found below :

[571763P](#) [58098-0628](#) [72.250.1628.2](#) [72.250.2428.2](#) [74720-0505](#) [76.350.0729.0](#) [76871-1403](#) [FCN-244F080-G/1](#) [FCN-260A9920](#) [PCR-E36PM](#) [PCS-XE26MA+](#) [G38A71314B](#) [1571250010](#) [157-22500-3](#) [MS3471L14-19P L/C](#) [172501-4002](#) [172501-6002](#) [FCN-260C008-A/L0](#) [FCN-260C024-AL0](#) [FCN-261Z008](#) [2000314-1](#) [200331-1](#) [PCR-E36FC+](#) [PCS-E28FS+](#) [PCS-XE26SLFD+](#) [PCS-XE26SLFDT+](#) [G730VID08BDC24](#) [U90B2054081210](#) [38113800006](#) [DP3AR020WQ1R200](#) [Z4.102.0680.0](#) [500-1040](#) [500-1052](#) [500-1054](#) [ZP-4008-66L](#) [0709821002](#) [DX40-20P\(55\)](#) [5554841-1](#) [MS3474W18-8P-LC*](#) [U90B3054061110](#) [U65-E04-4020](#) [ZPF000000000097891](#) [747360449](#) [10099439-003C-TRLF](#) [10137239-0021LF](#) [E9320-001-01](#) [10137239-0011LF](#) [70289-001LF](#) [70.060.1028.0](#) [109029-ZZ](#)