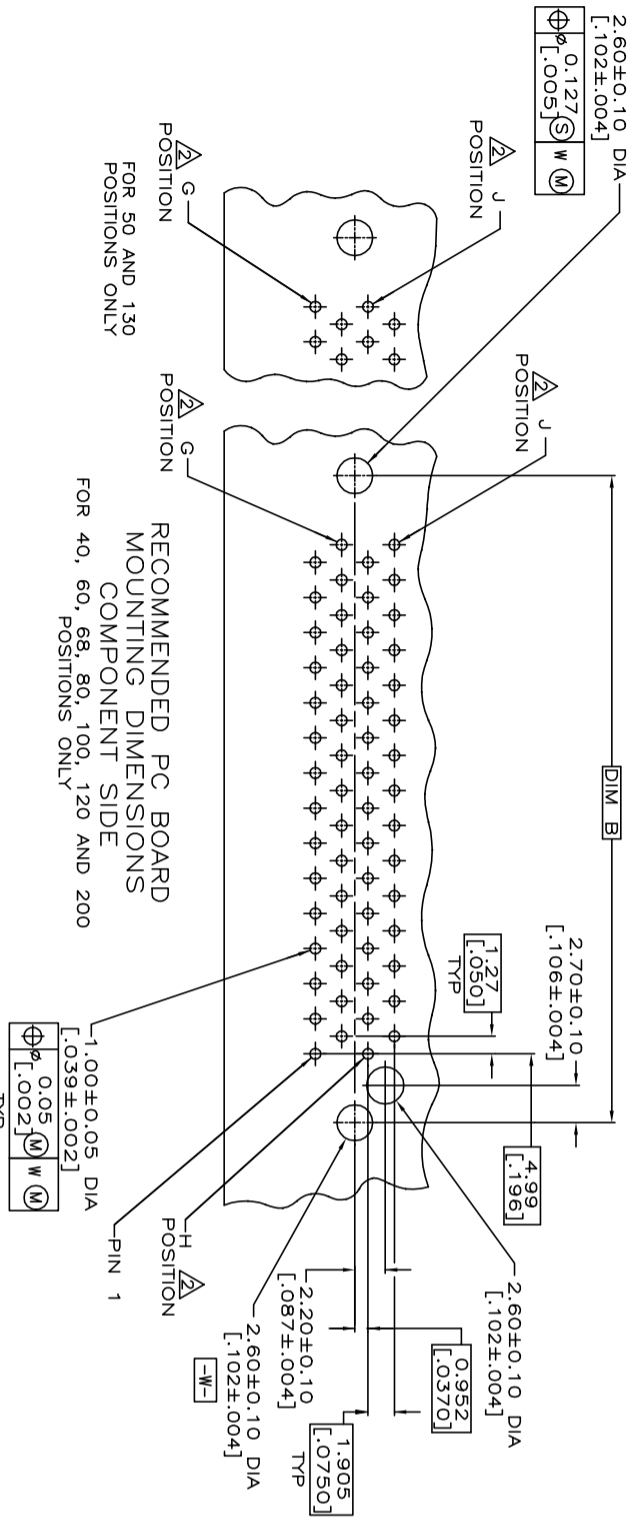


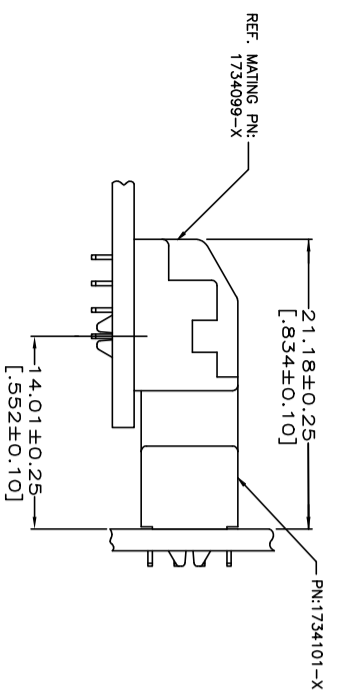


LOC	DIST	P	LTR	DESCRIPTION	DATE	DWN	APVD
DW				SEE SHEET 1.			

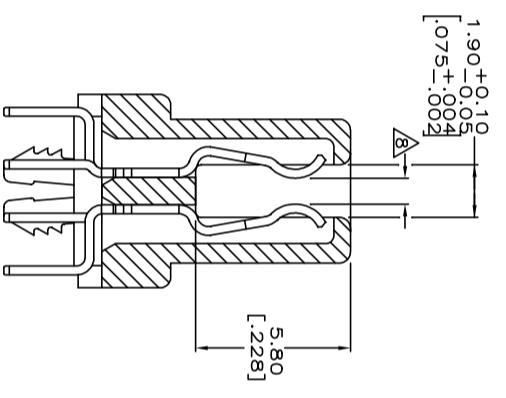
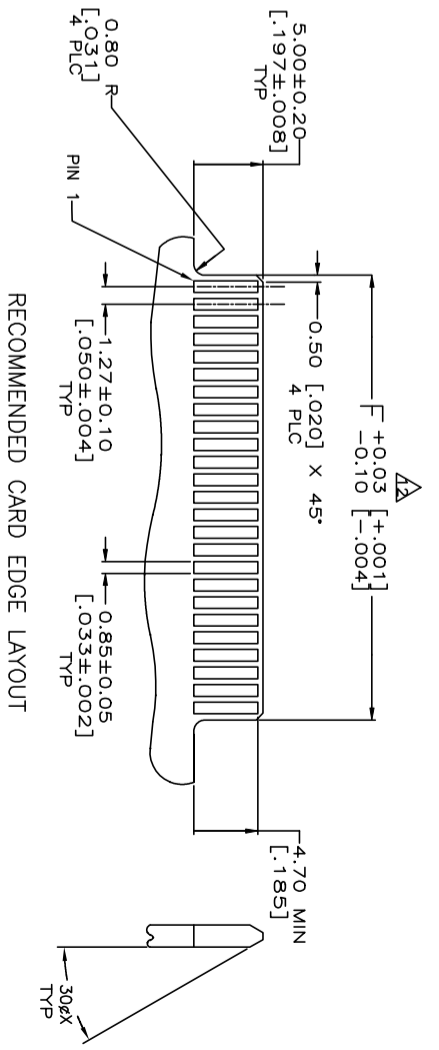
REVISIONS



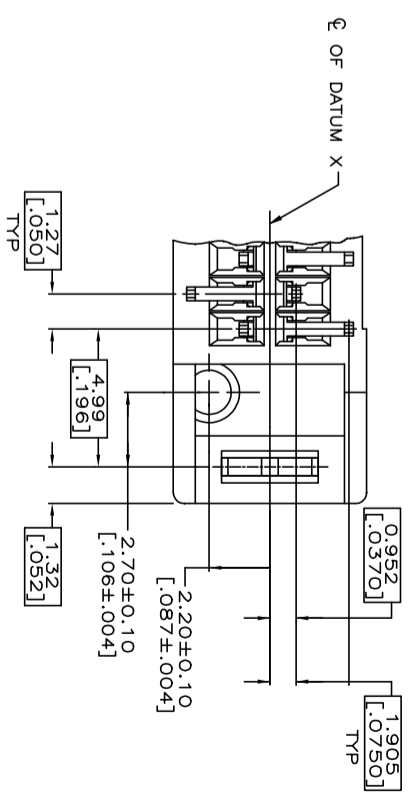
VERTICAL RECEPTACLE ASSEMBLY MATED TO VERTICAL PLUG ASSEMBLY



VERTICAL RECEPTACLE ASSEMBLY MATED TO VERTICAL PLUG ASSEMBLY



DETAIL D  
SCALE 8:1



THIS DRAWING IS A CONTROLLED DOCUMENT.

DIMENSIONS:	TOLERANCES UNLESS OTHERWISE SPECIFIED:	DWN	CHK	APVD	PRODUCT SPEC	NAME
MM	0 PLC ±.05 1 PLC ±.05 2 PLC ±.05 3 PLC ±.05 4 PLC ±.05					TE Connectivity
MATERIAL	FINISH				QUALIFICATION TEST REPORT	RECEPTACLE ASSEMBLY, VERTICAL, BOARD-TO-BOARD, CHAMP.050, SERIES 1,
					WEIGHT	SIZE CAGE CODE DRAWING NO
						A3 00779 1734101
						RESTRICTED TO

CUSTOMER DRAWING	SCALE	SHEET	REV
		2 OF 4	E2

THIS DRAWING IS UNPUBLISHED.  
 © COPYRIGHT - BY TYCO ELECTRONICS CORPORATION. ALL RIGHTS RESERVED.

RELEASED FOR PUBLICATION  
 AUG. 2006.

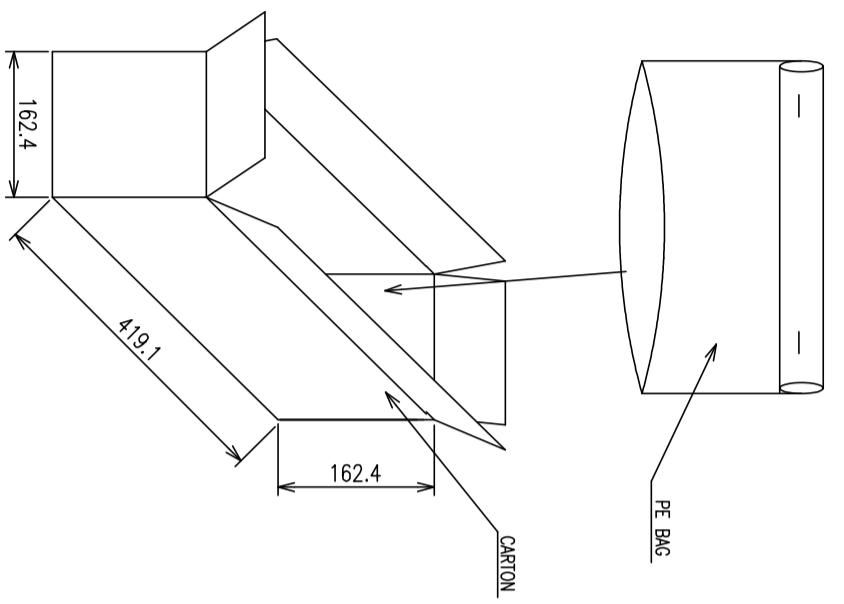
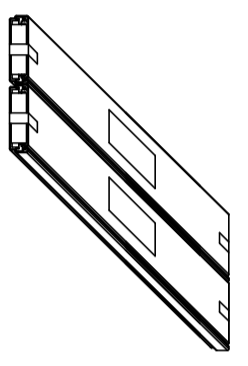
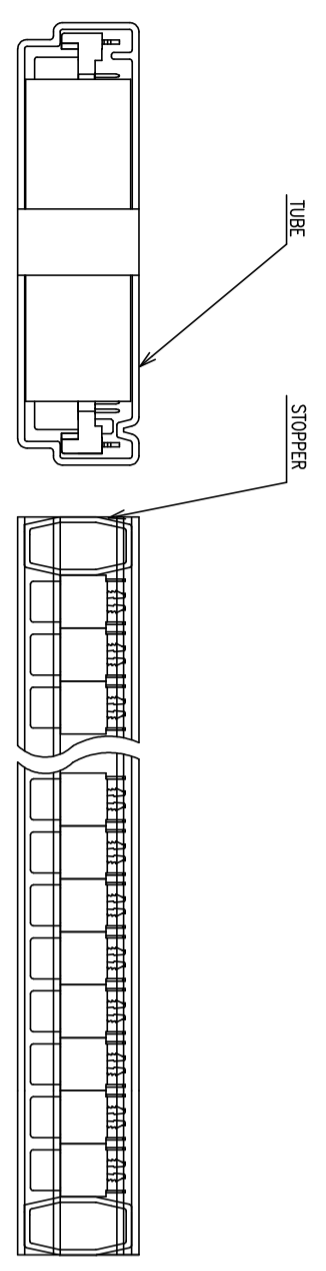
Loc DW

DIST

P LTR  
 SEE SHEET 1.

REVISIONS

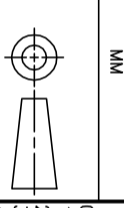
DESCRIPTION	DATE	DMN	APVD



DMN	G.W./CARTON (KG)	N.W./CARTON (KG)	PCS/TUBE	TUBES/CARTON	QUANTITY/CARTON (PCS)	PART NUMBER	POS.
OBSOLETE	4.21	2.89	54	8	432	5-1734101-3	120
						3-1734101-3	
						1-1734101-3	
						5-1734101-2	
						3-1734101-2	
						1-1734101-2	
						5-1734101-1	
						3-1734101-1	
						1-1734101-1	
						5-1734101-0	100
						3-1734101-0	
						1-1734101-0	
						5-1734101-8	
						3-1734101-8	
						1-1734101-8	
						4-1734101-7	
						6-1734101-7	68
						1734101-7	
						7-1734101-7	
						4-1734101-6	
						6-1734101-6	60
						1734101-6	
						2-1734101-7	
						5-1734101-7	
						3-1734101-7	
						1-1734101-7	
						4-1734101-5	50
						6-1734101-5	
						1734101-5	
						4-1734101-4	
						6-1734101-4	40
						1734101-4	
						4-1734101-3	
						6-1734101-3	30
						1734101-3	

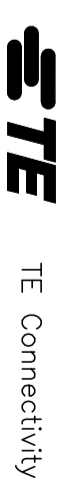
THIS DRAWING IS A CONTROLLED DOCUMENT.

DIMENSIONS: MM



TOLERANCES UNLESS OTHERWISE SPECIFIED:	FINISH
0 PLC	± .1
1 PLC	± .1
2 PLC	± .1
3 PLC	± .1
4 PRC ANGLES	± .1

MATERIAL



TE Connectivity

RECEPTACLE ASSEMBLY,  
 VERTICAL, BOARD-TO-BOARD,  
 CHAMP.050, SERIES 1,

DMN	CHK	APVD	NAME	SIZE	CAGE CODE	DRAWING NO	SCALE	SHEET	REV
DMN	CHK	APVD	RECEPTACLE ASSEMBLY, VERTICAL, BOARD-TO-BOARD, CHAMP.050, SERIES 1,	A3	00779	1734101	—	3 OF 4	2

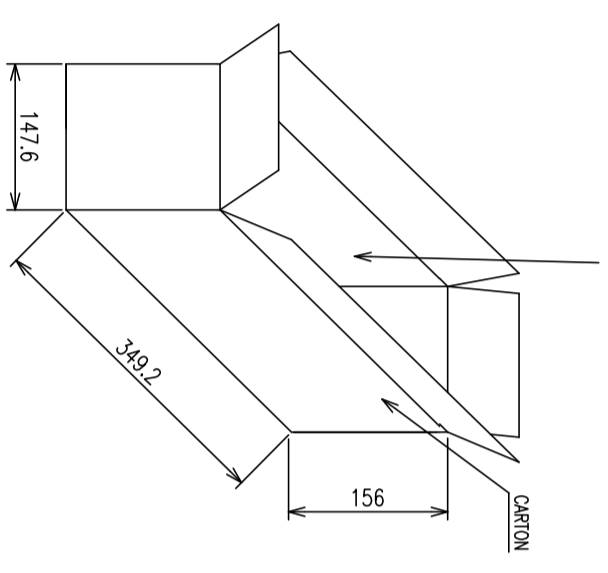
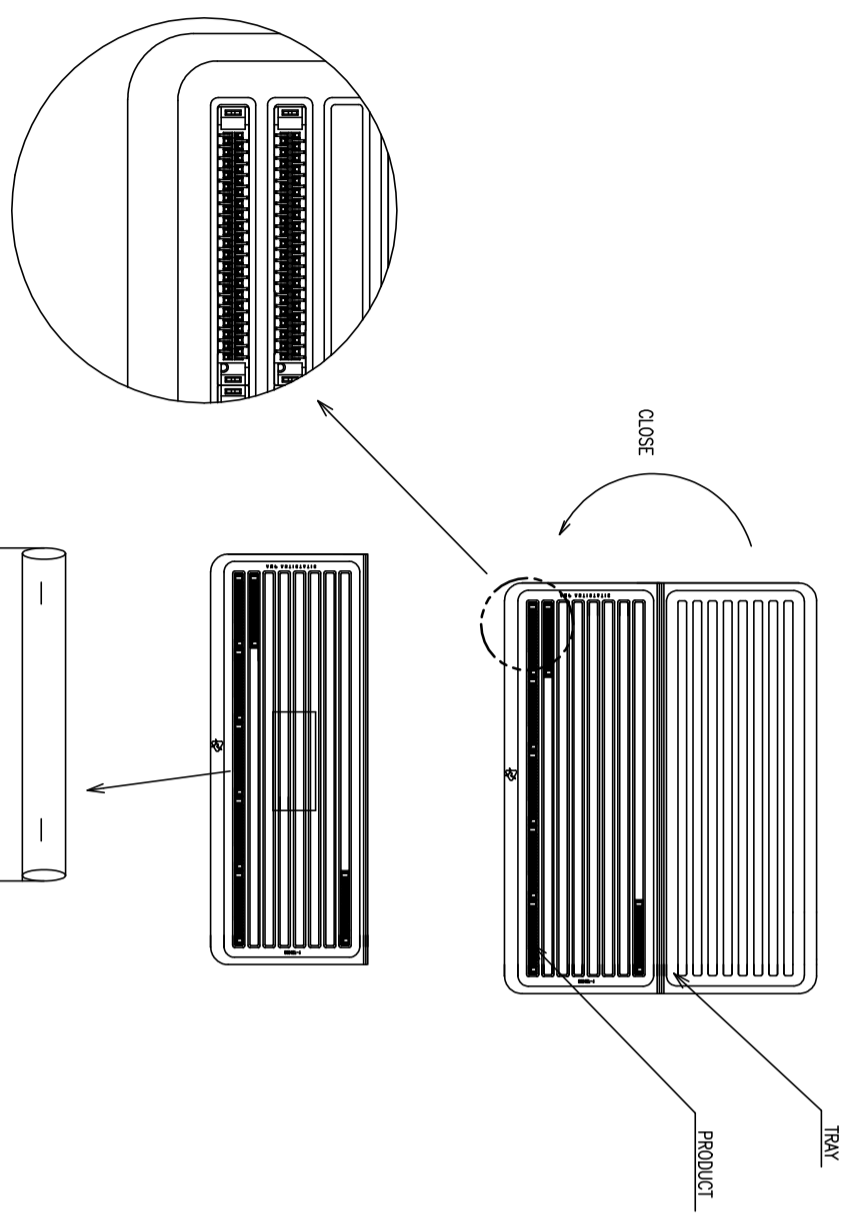
THIS DRAWING IS UNPUBLISHED.  
 © COPYRIGHT - BY TYCO ELECTRONICS CORPORATION. ALL RIGHTS RESERVED.

RELEASED FOR PUBLICATION  
 AUG. 2006.

Loc DW  
 DIST

REVISIONS

P	LTR	DESCRIPTION	DATE	DWN	APVD
		SEE SHEET 1.			



DESCRIPTION	G.W./CARTON (KG)	N.W./CARTON (KG)	PCS/TRAY	TRAYS/CARTON	QUANTITY/CARTON (PCS)	PART NUMBER	POS.
OBSOLETE	2.69	1.71	16	10	160	5-1734101-6 3-1734101-6 1-1734101-6 5-1734101-5 3-1734101-5 1-1734101-5	200
	2.37	1.39	16	10	160	5-1734101-4 3-1734101-4 1-1734101-4	160
OBSOLETE	2.48	1.50	32	10	320	4-1734101-9 6-1734101-9 1734101-9	80

THIS DRAWING IS A CONTROLLED DOCUMENT.

DIMENSIONS: MM

TOLERANCES UNLESS OTHERWISE SPECIFIED:	±
0 PLC	±
1 PLC	±
2 PLC	±
3 PLC	±
4. P.C. ANGLES	±



TE Connectivity

RECEPTACLE ASSEMBLY,  
 VERTICAL, BOARD-TO-BOARD,  
 CHAMP.050, SERIES 1,

APVD	NAME	SIZE	CAGE CODE	DRAWING NO	RESTRICTED TO
CHK		A3	00779	1734101	
PRODUCT SPEC					
QUALIFICATION TEST REPORT					
WEIGHT					
CUSTOMER DRAWING					

## X-ON Electronics

Largest Supplier of Electrical and Electronic Components

*Click to view similar products for [Board to Board & Mezzanine Connectors](#) category:*

*Click to view products by [TE Connectivity](#) manufacturer:*

Other Similar products are found below :

[589158040000018](#) [MDF7C-18P-2.54DSA\(55\)](#) [FCN-230C068-11](#) [FCN-268F012-G/BD](#) [FCN-268F036-G/BD](#) [FCN-268M012-G/0D](#) [FCN-268M024-G/1D](#) [FCN-723J004/1](#) [MIS-048-01-F-D-DP-K](#) [832-10-034-10-001000](#) [FX4C-80S-1.27DSA](#) [FCN-214Q030-G/0](#) [FCN-234P048-G/0](#) [FCN-235D050-G/C](#) [210-93-314-41-105000](#) [2-22603-0](#) [MDF7-40DP-2.54DSA\(55\)](#) [AXG720047](#) [5031084030](#) [MIT-114-03-F-D-K](#) [55323-1519](#) [DF33-2P-3.3DSA\(24\)](#) [YFT-20-05-H-03-SB-K](#) [503308-3040](#) [026-6203-PDB](#) [027-6203-PDB](#) [069159702701000](#) [10123981-102LF](#) [101A10019X](#) [55650-0588-C](#) [68682-310LF](#) [68684-306](#) [75140-7012](#) [87471-650](#) [194261-1](#) [FCN-268F024-G0D](#) [10124054-515LF](#) [68685-603](#) [8-1616154-3](#) [MIS-019-01-F-D](#) [541371078](#) [IL-WX-10PB-HF-B-E1000E](#) [FCN-268M024-G/3D](#) [20021832-06016C1LF](#) [KX15-20KLDL-E1000E](#) [MDF7-16DP-2.54DSA\(55\)](#) [AXE810124](#) [FCN-214J100-G/0](#) [FCN-230C068-E/S](#) [AXE812124](#)