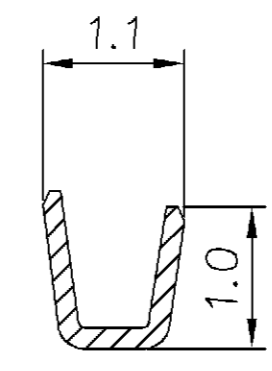
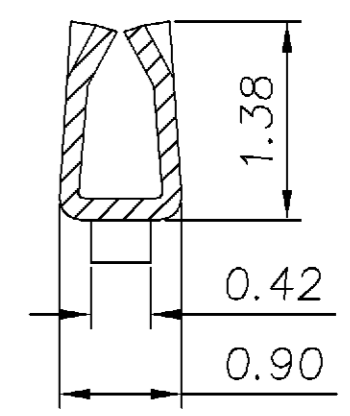


SEC A-A



SEC B-B



SEC C-C

NOTE:

1. MATERIAL:
 TERMINAL: PHOSPHOR BRONZE, THICKNESS=0.2mm.
2. FINISH:
 TERMINAL: 2.0um MIN. TIN(MATTE) PLATE OVER 0.75um MIN. NICKEL UNDERPLATE OVER ALL.
3. APPLY HOUSING PART NO: X-440146-X.
4. APPLICATION SPECIFICATION: 114-57016.
5. APPLICABLE WIRE RANGE: AWG #28-#32.

1734193-1

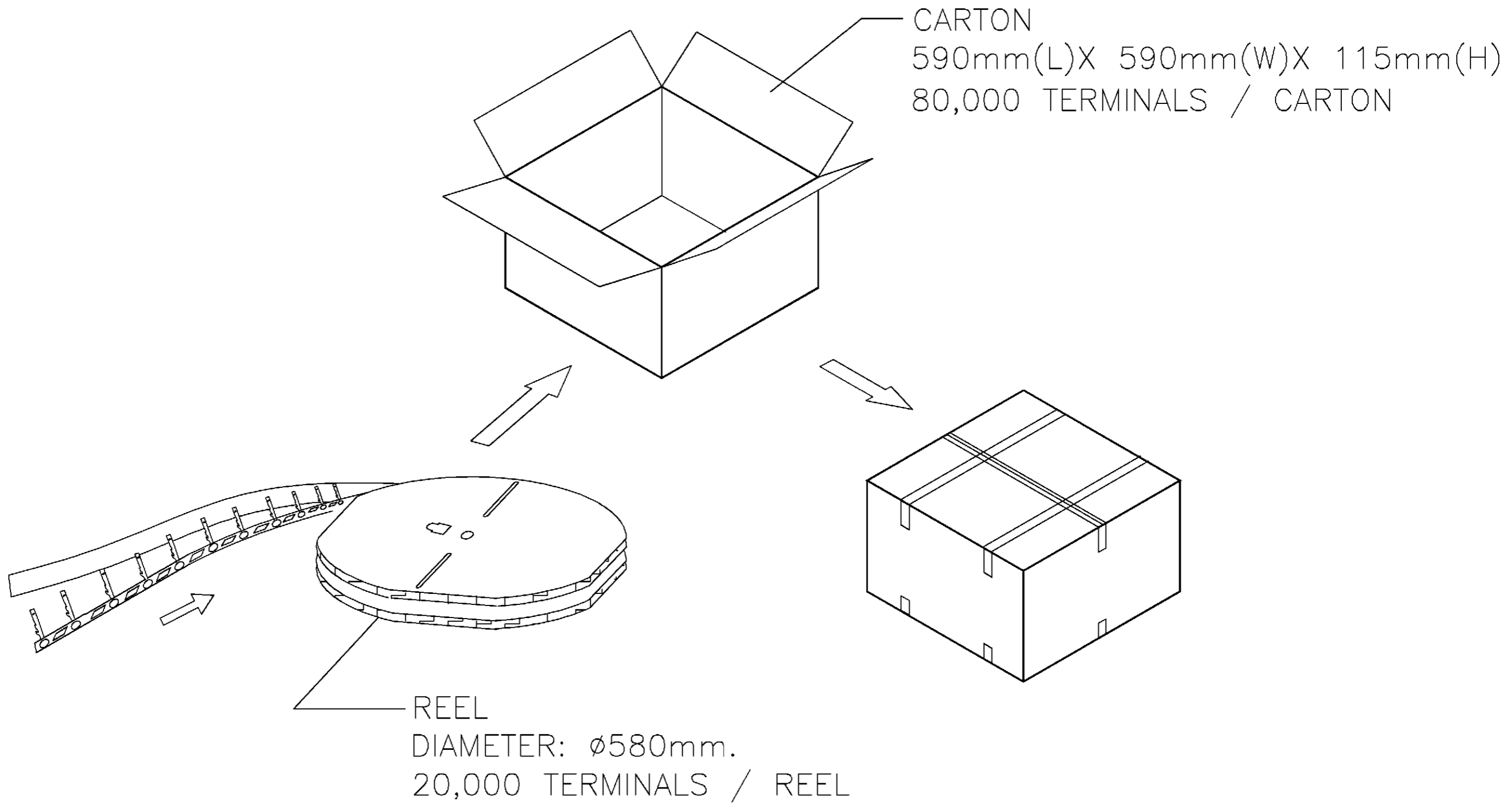
PART NUMBER

TOLERANCES UNLESS OTHERWISE SPECIFIED: 0 PLC ± 1 PLC ±0.15 2 PLC ±0.10 3 PLC ±0.05 ANGLES ±3'	DWN O. HU 05-JUL-2004	
	CHK S. HOU 05-JUL-2004	
MATERIAL SEE NOTE	APVD T. KE 05-JUL-2004	WIRE TO BOARD SOCKET, TERMINAL
FINISH SEE NOTE	PRODUCT SPEC 108-57225	LOC DW A ₃ DRAWING NO C-1734193 REV P
	QUALIFICATION TEST REPORT 501-57229	SCALE -- SHEET 1 OF 2
	WEIGHT	

P	REVISION RECORD	REVISD PER ECO-11-005301	RK HMR DWN CHK	5APR11 DATE
LTR		ECO		

DIMENSIONS IN MILLIMETERS. DO NOT SCALE PRINT.

PRINT DIST
 DW



TOLERANCES UNLESS OTHERWISE SPECIFIED: 0 PLC ± 1 PLC ±0.15 2 PLC ±0.10 3 PLC ±0.05 ANGLES ±3'	DWN	O. HU	TE Connectivity	
		05-JUL-2004		
MATERIAL SEE NOTE	CHK	S. HOU	NAME WIRE TO BOARD SOCKET, TERMINAL	
		05-JUL-2004		
FINISH SEE NOTE	APVD	T. KE	LOC	SIZE
		05-JUL-2004	DW	A ₃
	PRODUCT SPEC	QUALIFICATION TEST REPORT	DRAWING NO	REV
	WEIGHT		C-1734193	P
			SCALE	SHEET
			--	2 OF 2

LTR	REVISION RECORD	SEE SHEET 1.	ECO	DWN	CHK	DATE
-----	-----------------	--------------	-----	-----	-----	------

X-ON Electronics

Largest Supplier of Electrical and Electronic Components

Click to view similar products for [Headers & Wire Housings](#) category:

Click to view products by [TE Connectivity](#) manufacturer:

Other Similar products are found below :

[892-18-020-10-001101](#) [58102-G61-06LF](#) [582553-1](#) [0009485154](#) [009176003701906](#) [0050291907](#) [LY20-4P-DT1-P1E-BR](#) [02.125.8002.8](#)
[609-3404](#) [61062-3](#) [61082-181009](#) [622-3653LF](#) [63453-116](#) [636-1030](#) [636-1427](#) [636-3427](#) [636-4007](#) [641938-9](#) [641991-4](#) [644827-2](#) [65817-](#)
[010LF](#) [65817-015LF](#) [65863-015LF](#) [66207-023LF](#) [67095-007LF](#) [67601157](#) [68645-018](#) [68648-049](#) [70.362.1628.0](#) [70-4210](#) [70-4226B](#) [70-](#)
[4853B](#) [707-5020](#) [707-5028](#) [71.350.2428.0](#) [71918-208LF](#) [71961-016LF](#) [733-134](#) [733-162](#) [754199-000](#) [760-3052](#) [787-8014-00](#) [79531-3000](#)
[FCN-360C032-B](#) [FCN-367T-T012/H](#) [FCN-723D010/2](#) [80.063.4001.1](#) [800-90-001-10-001000](#) [800-90-010-10-002000](#) [801-43-002-10-013000](#)