

THIS DRAWING IS UNPUBLISHED.

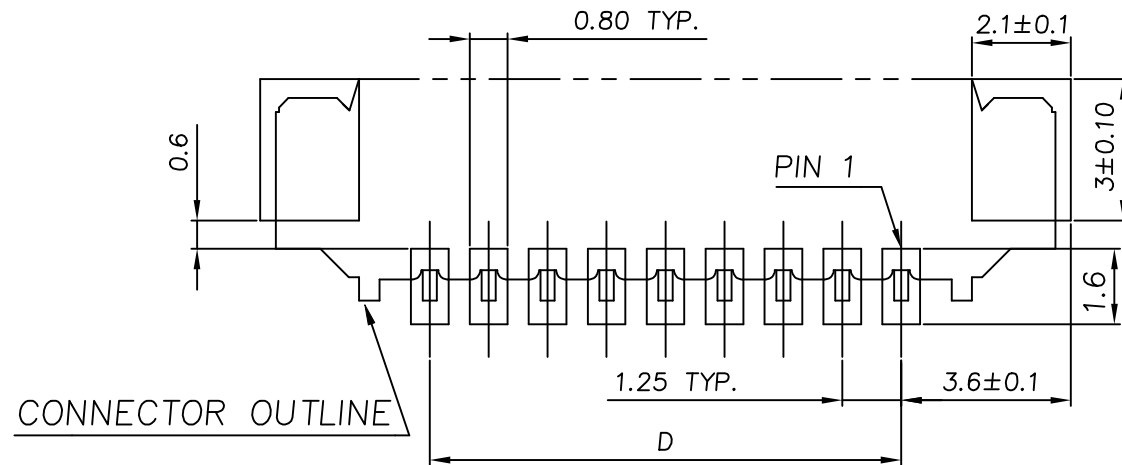
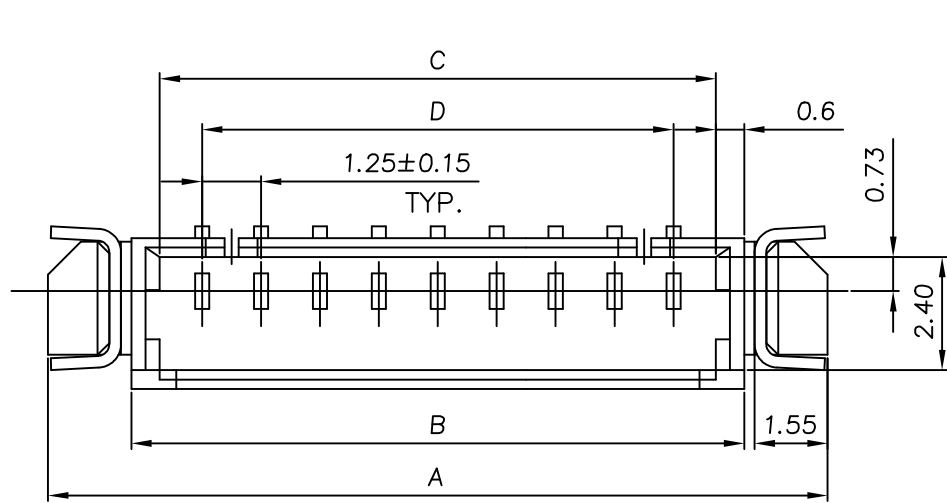
RELEASED FOR PUBLICATION

REVISIONS

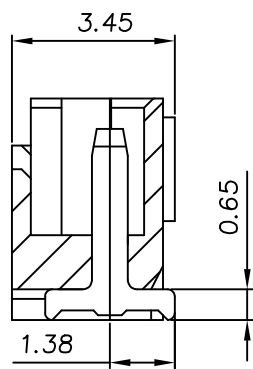
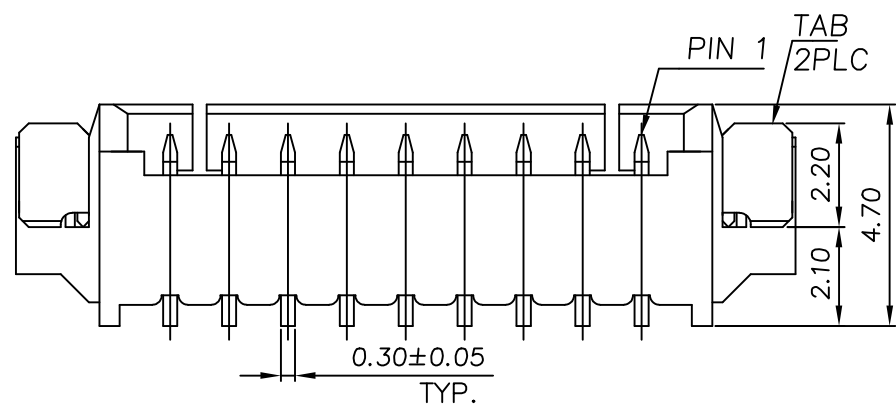
© COPYRIGHT - TE Connectivity Ltd.

ALL RIGHTS RESERVED.

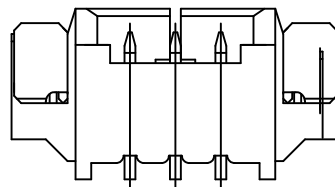
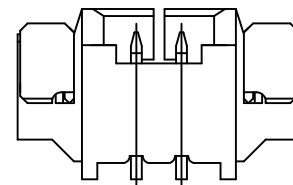
P	LTR	DESCRIPTION	DATE	DWN	APVD
	A3	ECR-19-007134	27FEB2019	T.Q	W.H



RECOMMENDED PCB LAYOUT
TOLERANCE: ±0.05



0.10
ALL SOLDER
TAIL & TAB



MATERIAL	CONTACT PLATING	D	C	B	A	POS	CONNECTOR P/N
0.762um[30u"] MIN. GOLD	A	1.25	3.05	4.25	7.79	2	5-1734261-2
		17.50	19.30	20.50	24.04	15	4-1734261-5
		16.25	18.05	19.25	22.79	14	4-1734261-4
		15.00	16.80	18.00	21.54	13	4-1734261-3
		13.75	15.55	16.75	20.29	12	4-1734261-2
		12.50	14.30	15.50	19.04	11	4-1734261-1
		11.25	13.05	14.25	17.79	10	4-1734261-0
		10.00	11.80	13.00	16.54	9	3-1734261-9
		8.75	10.55	11.75	15.29	8	3-1734261-8
		7.50	9.30	10.50	14.04	7	3-1734261-7
2.54um[100u"] MIN. MATTE-TIN	A	6.25	8.05	9.25	12.79	6	3-1734261-6
		5.00	6.80	8.00	11.54	5	3-1734261-5
		3.75	5.55	6.75	10.29	4	3-1734261-4
		2.50	4.30	5.50	9.04	3	3-1734261-3
		1.25	3.05	4.25	7.79	2	3-1734261-2
		17.50	19.30	20.50	24.04	15	1-1734261-5
		16.25	18.05	19.25	22.79	14	1-1734261-4
		15.00	16.80	18.00	21.54	13	1-1734261-3
		13.75	15.55	16.75	20.29	12	1-1734261-2
		12.50	14.30	15.50	19.04	11	1-1734261-1
11.25	13.05	14.25	17.79	10	1-1734261-0		
10.00	11.80	13.00	16.54	9	1734261-9		
8.75	10.55	11.75	15.29	8	1734261-8		
7.50	9.30	10.50	14.04	7	1734261-7		
6.25	8.05	9.25	12.79	6	1734261-6		
5.00	6.80	8.00	11.54	5	1734261-5		
3.75	5.55	6.75	10.29	4	1734261-4		
2.50	4.30	5.50	9.04	3	1734261-3		
1.25	3.05	4.25	7.79	2	1734261-2		

NOTE:

- 1. MATERIAL:
HOUSING: HIGH TEMP. THERMOPLASTIC, UL 94V-0, COLOR: NATURAL.
CONTACTS: PHOSPHOR BRONZE.
TAB: PHOSPHOR BRONZE.
- 2. FINISH:
CONTACTS: (SEE TABLE) OVER 50u" MIN. NICKEL PLATED.
TAB: 100u" MIN. MATTE-TIN OVER 50u" MIN. NICKEL PLATED.
- 3. NO TE LOGO AND DATE CODE ON THE PRODUCT.
- 4. LOCKING WINDOW:
ON PLACE FOR 2 AND 3 CONTACTS,
TWO PLACES FOR MORE THAN 3 CONTACTS.
- 5. RECOMMENDED PART NUMBER OF CABLE ASSEMBLY:
HOUSING: X-440146-X
CONTACT: 440147-2(GOLD PLATED)/1734193-1(TIN PLATED).
- 6. MATERIAL:
HOUSING: HIGH TEMP. THERMOPLASTIC, UL 94V-0, COLOR: BLACK.
CONTACTS: PHOSPHOR BRONZE.
TAB: PHOSPHOR BRONZE.

THIS DRAWING IS A CONTROLLED DOCUMENT.

DIMENSIONS: mm	TOLERANCES UNLESS OTHERWISE SPECIFIED:
	0 PLC ± -
	1 PLC ± 0.38
	2 PLC ± 0.25
	3 PLC ± -
	4 PLC ± -
	ANGLES ± 0°30'
MATERIAL SEE NOTE	FINISH SEE NOTE

DWN	21DEC2017
CHK	Tommy Qian
APVD	21DEC2017
PRODUCT SPEC	Wenke He
APPLICATION SPEC	Wenke He
WEIGHT	108-57273
	501-57299
CUSTOMER DRAWING	

TE Connectivity Ltd.

WIRE TO BOARD MALE HEADER
1.25MM PITCH, SMT, RIGHT ANGLE

SIZE	CAGE CODE	DRAWING NO	RESTRICTED TO
A3	00779	C=1734261	-
SCALE	SHEET	REV	
N/A	1 of 2	A3	

THIS DRAWING IS UNPUBLISHED.

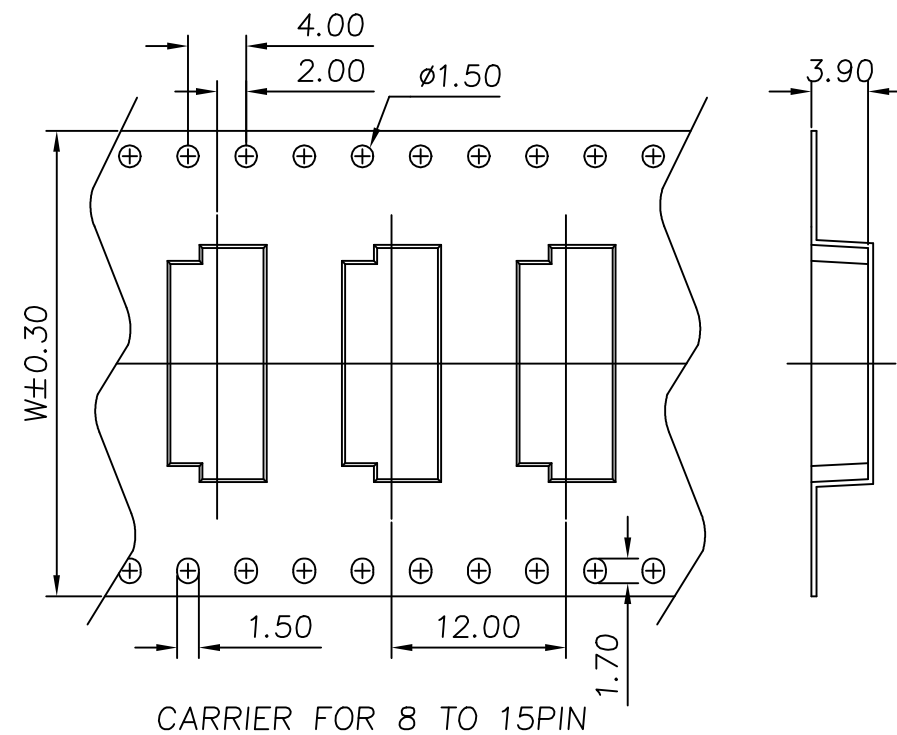
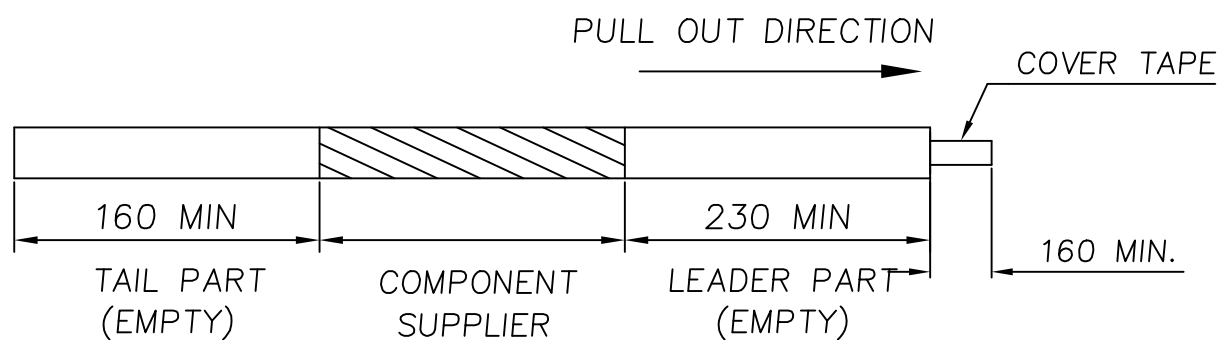
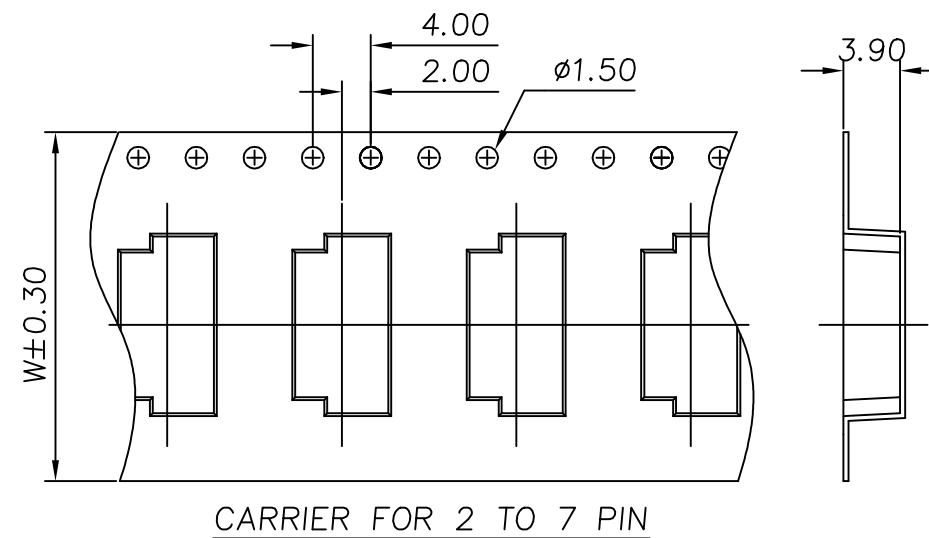
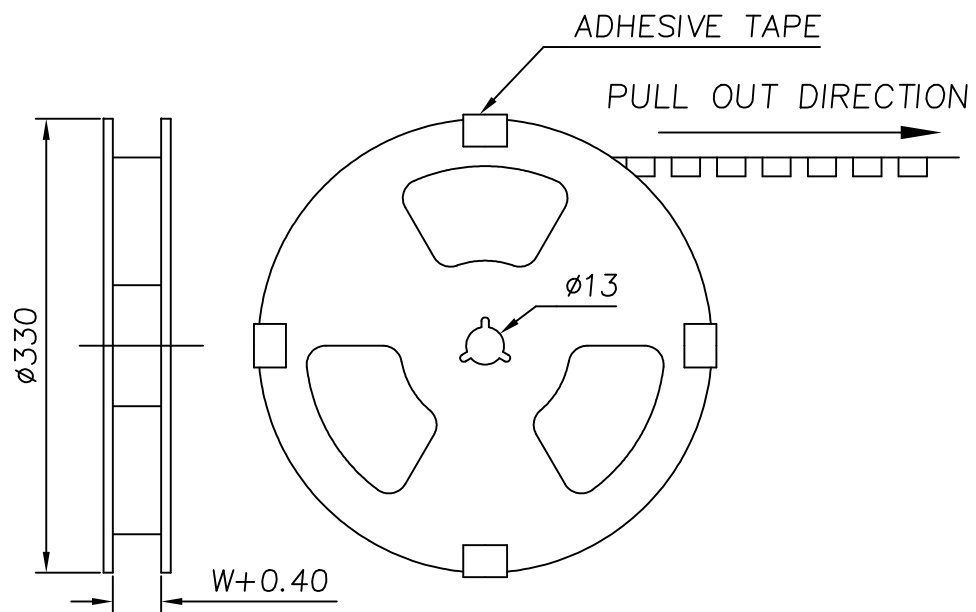
RELEASED FOR PUBLICATION

REVISIONS

© COPYRIGHT - TE Connectivity Ltd.

ALL RIGHTS RESERVED.

P	LTR	DESCRIPTION	DATE	DWN	APVD
-	-	SEE SHEET 1	-	-	-



NOTE: 1. CARTON DIMENSION: 340X340X250

NO. OF PIN	DIM W	PACKING	REELS/CARTON	PCS/REEL
15	44.0	1000/REEL	4	4000
14	32.0	1000/REEL	6	6000
13				
12				
11	24.0	1000/REEL	7	7000
10				
9				
8	16.0	1000/REEL	10	10000
7				
6				
5				
4				
3				
2				

THIS DRAWING IS A CONTROLLED DOCUMENT.

DIMENSIONS: mm

TOLERANCES UNLESS OTHERWISE SPECIFIED:

0 PLC ± -
1 PLC ± 0.38
2 PLC ± 0.25
3 PLC ± -
4 PLC ± -
ANGLES ± 0°30'

MATERIAL: SEE NOTE
FINISH: SEE NOTE

DWN: Tommy Qian 21DEC2017
CHK: Wenke He 21DEC2017
APVD: Wenke He 21DEC2017

PRODUCT SPEC: 108-57273
APPLICATION SPEC: 501-57299

TE Connectivity Ltd.

WIRE TO BOARD MALE HEADER
1.25MM PITCH, SMT, RIGHT ANGLE

SIZE: A3
CAGE CODE: 00779
DRAWING NO: C=1734261

RESTRICTED TO: -

CUSTOMER DRAWING
SCALE: N/A
SHEET: 2 OF 2
REV: A3

X-ON Electronics

Largest Supplier of Electrical and Electronic Components

Click to view similar products for [Headers & Wire Housings](#) category:

Click to view products by [TE Connectivity](#) manufacturer:

Other Similar products are found below :

[892-18-020-10-001101](#) [58102-G61-06LF](#) [582553-1](#) [0009485154](#) [009176003701906](#) [0050291907](#) [LY20-4P-DT1-P1E-BR](#) [02.125.8002.8](#)
[609-3404](#) [61062-3](#) [61082-181009](#) [622-3653LF](#) [63453-116](#) [636-1030](#) [636-1427](#) [636-3427](#) [636-4007](#) [641938-9](#) [641991-4](#) [644827-2](#) [65817-010LF](#) [65817-015LF](#) [65863-015LF](#) [66207-023LF](#) [67095-007LF](#) [67601157](#) [68645-018](#) [68648-049](#) [70.362.1628.0](#) [70-4210](#) [70-4226B](#) [70-4853B](#) [707-5020](#) [707-5028](#) [71.350.2428.0](#) [71918-208LF](#) [71961-016LF](#) [733-134](#) [733-162](#) [754199-000](#) [760-3052](#) [787-8014-00](#) [79531-3000](#)
[FCN-360C032-B](#) [FCN-367T-T012/H](#) [FCN-723D010/2](#) [80.063.4001.1](#) [800-90-001-10-001000](#) [800-90-010-10-002000](#) [801-43-002-10-013000](#)