

4

3

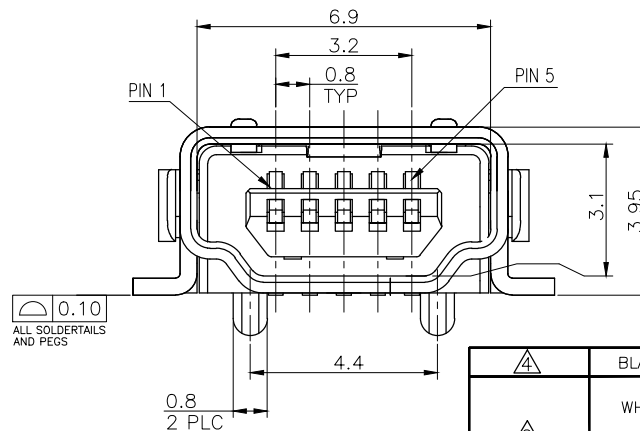
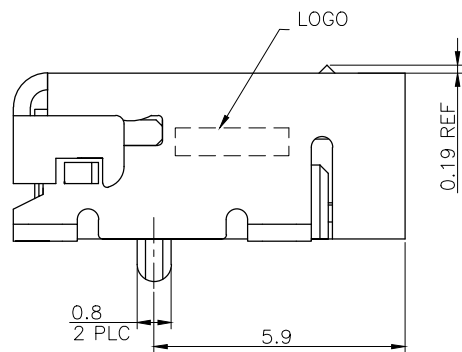
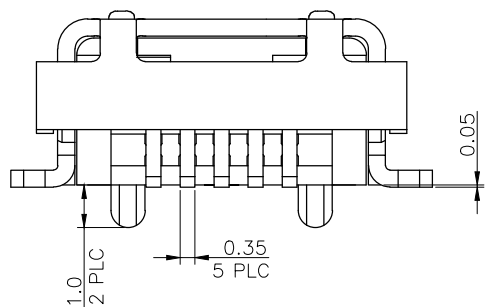
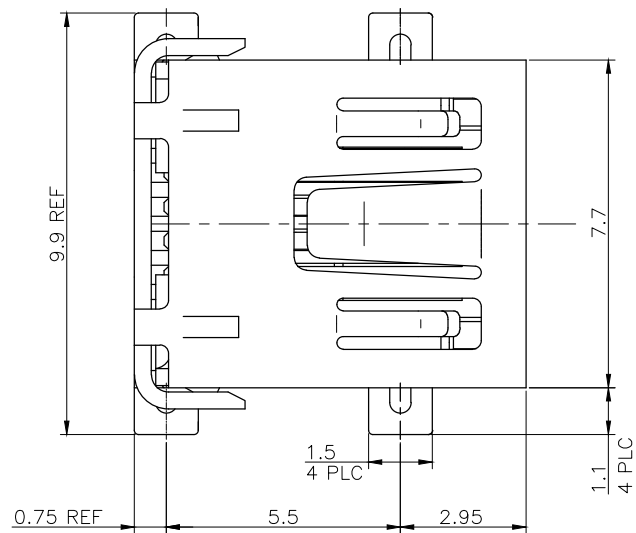
2

1


THIS DRAWING IS UNPUBLISHED. RELEASED FOR PUBLICATION AUG ,2006.

© COPYRIGHT BY TYCO ELECTRONICS CORPORATION. ALL RIGHTS RESERVED.

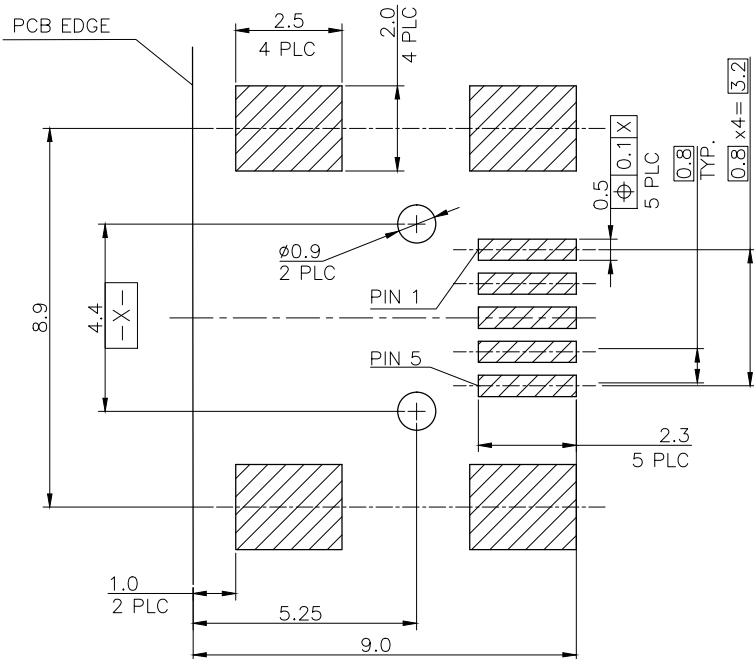
LOC	DIST	REVISIONS			
P	LTR	DESCRIPTION	DATE	DWN	APVD
DW		D1	REVISED (ECR-14-009618)	23JAN15	S.C H.L



⚠	BLACK	REEL	2-1734327-2
	WHITE	REEL	1-1734327-2
⚠	BLACK	TRAY	1-1734327-1
		REEL	1734327-2
FINISH (SEE SHEET 2)		TRAY	1734327-1
HSG. COLOR		PACKAGE	PART NUMBER

THIS DRAWING IS A CONTROLLED DOCUMENT.		DWN F. YANG 16DEC2008	 <b>TE Connectivity</b>													
DIMENSIONS: MM		CHK S. CHIEN 16DEC2008														
TOLERANCES UNLESS OTHERWISE SPECIFIED:		APVD W. KODAMA 16DEC2008	NAME													
<table border="0"> <tr><td>0 PLC</td><td>± 0.38</td></tr> <tr><td>1 PLC</td><td>± 0.25</td></tr> <tr><td>2 PLC</td><td>± 0.13</td></tr> <tr><td>3 PLC</td><td>± 0.05</td></tr> <tr><td>4 PLC</td><td>± -</td></tr> <tr><td>ANGLES</td><td>± 3'</td></tr> </table>		0 PLC	± 0.38	1 PLC	± 0.25	2 PLC	± 0.13	3 PLC	± 0.05	4 PLC	± -	ANGLES	± 3'	PRODUCT SPEC 108-57062	MINI USB CONNECTOR A SERIES, RCPT, R/A, SMT TYPE	
0 PLC	± 0.38															
1 PLC	± 0.25															
2 PLC	± 0.13															
3 PLC	± 0.05															
4 PLC	± -															
ANGLES	± 3'															
MATERIAL SEE SHEET 2		QUALIFICATION TEST REPORT 501-57070	SIZE A3	CAGE CODE 00779												
FINISH SEE SHEET 2		WEIGHT 0.76 GRAMS	DRAWING NO C=1734327	RESTRICTED TO												
CUSTOMER DRAWING			SCALE	SHEET 1 of 4												
				REV D1												

LOC	DIST	REVISIONS					
DW		P	LTR	DESCRIPTION	DATE	DWN	APVD
				SEE SHEET 1.			

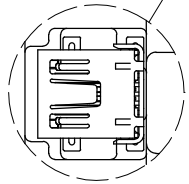
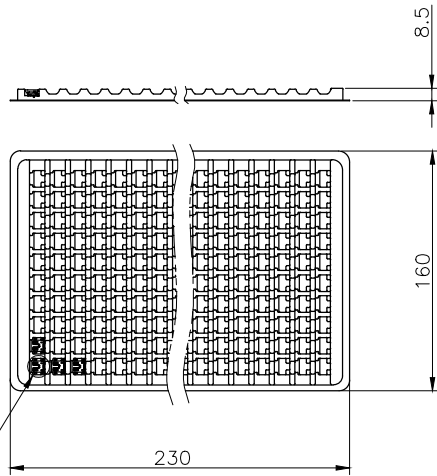
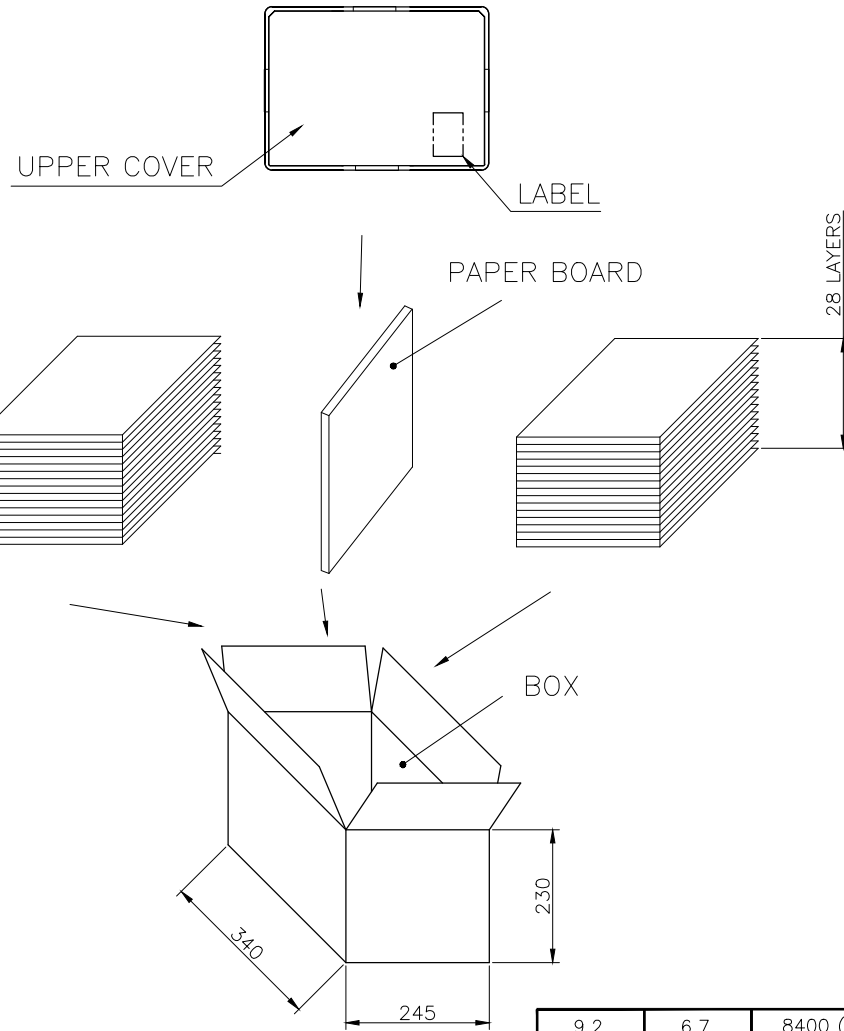


RECOMMENDED PCB LAYOUT (MOUNTING SIDE)  
(THICKNESS=1.57mm) (TOLERANCE=±0.05mm)

- NOTES:
- MATERIAL:  
HOUSING: PA9T ,WITH 30% GF, UL 94V-0, COLOR: SEE TABLE.  
CONTACT: PHOSPHOR BRONZE, THICKNESS:0.25±0.05mm.  
SHELL: PHOSPHOR BRONZE, THICKNESS:0.40±0.05mm.
  - FINISH:  
CONTACTS: GOLD FLASH OVER  
0.76µm [30µ" ] MIN. PALLADIUM-NICKEL PLATED ON CONTACT AREA,  
2.54µm [100µ" ] MIN. MATTE-TIN PLATED ON OLDER TAILS:  
1.27µm [50µ" ] MIN. NICKEL UNDERPLATED ALL OVER.  
SHELL: 1.27µm [50µ" ] MIN. NICKEL PLATED ALL OVER
  - REFLOW SOLDER CAPABLE TO 260°C PER TE SPEC 109-201  
CONDITION B.
  - FINISH:  
CONTACTS: GOLD FLASH OVER  
0.76µm [30µ" ] MIN. PALLADIUM-NICKEL PLATED ON CONTACT AREA,  
3.0µm [118µ" ] MIN. MATTE-TIN PLATED ON SOLDER TAILS :  
1.27µm [50µ" ] MIN. NICKEL UNDERPLATED OVERALL.  
SHELL: 0.76~2.28µm [30~90µ" ] MATTE TIN  
1.27µm [50µ" ] MIN. NICKEL UNDERPLATED

THIS DRAWING IS A CONTROLLED DOCUMENT.		DWN	<b>STE</b> TE Connectivity	
DIMENSIONS: MM		CHK		
TOLERANCES UNLESS OTHERWISE SPECIFIED:		APVD	NAME	
0 PLC ± -		PRODUCT SPEC	MINI USB CONNECTOR	
1 PLC ± -		APPLICATION SPEC	A SERIES, RCPT, R/A, SMT TYPE	
2 PLC ± -		WEIGHT	SIZE	CAGE CODE
3 PLC ± -			A3	00779
4 PLC ± -			DRAWING NO	RESTRICTED TO
ANGLES ± -			C=1734327	
MATERIAL		CUSTOMER DRAWING		SCALE
FINISH		SHEET 2 of 4		REV D1

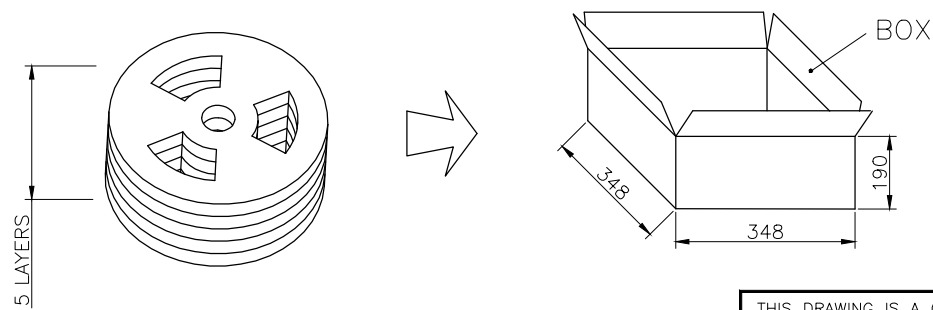
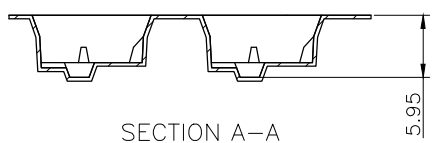
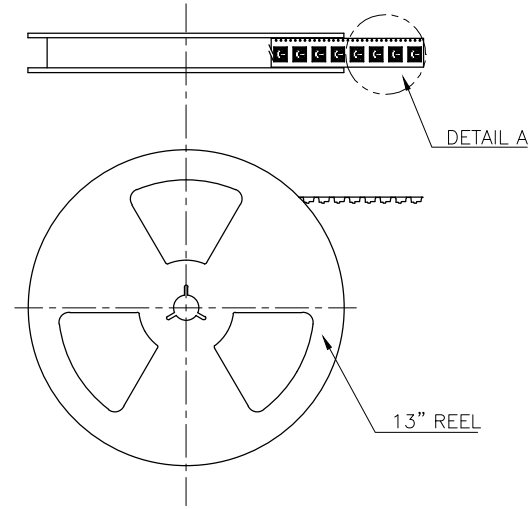
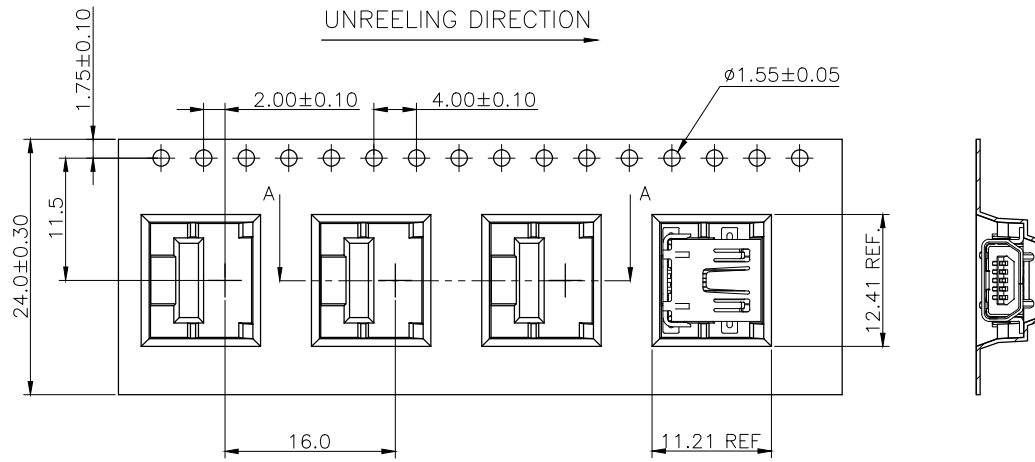
LOC DW	DIST	REVISIONS			DATE	DWN	APVD
P	LTR	DESCRIPTION					
		SEE SHEET 1.					



9.2	6.7	8400 (56 TRAYS)	150
G.W(KGS)	N.W(KGS)	QUANTITY/ BOX	PCS/ TRAY

THIS DRAWING IS A CONTROLLED DOCUMENT.		DWN	<b>STE</b> TE Connectivity	
DIMENSIONS: MM		CHK		
TOLERANCES UNLESS OTHERWISE SPECIFIED:		APVD	NAME	
0 PLC ± -		PRODUCT SPEC	MINI USB CONNECTOR	
1 PLC ± -		APPLICATION SPEC	A SERIES, RCPT, R/A, SMT TYPE	
2 PLC ± -		WEIGHT	SIZE	RESTRICTED TO
3 PLC ± -			A3	
4 PLC ± -			00779	
ANGLES ± -			C=1734327	
MATERIAL	FINISH	CUSTOMER DRAWING	SCALE	SHEET 3 of 4
				REV D1

LOC DW	DIST	REVISIONS		
P	LTR	DESCRIPTION	DATE	DWN APVD
		SEE SHEET 1.		



- NOTES:
1. APPLICABLE DOCUMENT: EIA-481-2
  2. PACKAGE: 700 PCS/REEL, 5 REELS/BOX  
W.G.:6.5Kg, N.G.: 5.5Kg
  3. QUANTITY: 3500 PCS.

6.5	5.5	3500	700
G.W(KGS)	N.W(KGS)	QUANTITY/ BOX	PCS/ REEL

THIS DRAWING IS A CONTROLLED DOCUMENT.		DWN	<b>STE</b> TE Connectivity	
DIMENSIONS: MM		CHK		
TOLERANCES UNLESS OTHERWISE SPECIFIED:		APVD	NAME	
0 PLC ± -		PRODUCT SPEC	MINI USB CONNECTOR A SERIES, RCPT, R/A, SMT TYPE	
1 PLC ± -		APPLICATION SPEC		
2 PLC ± -		WEIGHT	SIZE	CAGE CODE
3 PLC ± -		CUSTOMER DRAWING	DRAWING NO	
4 PLC ± -			RESTRICTED TO	
ANGLES ± -		A300779C=1734327		SCALE
FINISH		SHEET 4 of 4		REV D1

## X-ON Electronics

Largest Supplier of Electrical and Electronic Components

*Click to view similar products for [USB Connectors](#) category:*

*Click to view products by [TE Connectivity](#) manufacturer:*

Other Similar products are found below :

[65-647-8-BK-BU](#) [950](#) [952](#) [E8144-B01021-L](#) [A-USB B-TOP-C](#) [MUSBA511N5](#) [MUSBD11135](#) [217450-1](#) [KMBVX-TH-5S-B30](#) [896-30-004-00-000000](#) [KUSBVX-BS1N-W30](#) [KUSBX-AP-KIT-SCBLK](#) [KUSBX-AS2N-W](#) [KUSBX-SMT2AP1S-W](#) [KUSBX-SMT2AP1S-W30](#) [935](#) [957](#) [30-498-6](#) [SK-60A-2](#) [17-210051](#) [1734082-1](#) [30-1574](#) [30-470](#) [30-489](#) [30-541](#) [30-572-3](#) [A-USB A-2P-C](#) [MIKROE-1451](#) [USBFTV2PEM2G](#) [USBFTVC6ZN](#) [KUSBX-AS2N-W30](#) [KUSBX-SLAS1N-W](#) [KUSBX-SMT-AS1N-W30](#) [4689-1](#) [1-1734084-2](#) [E8110-001-01](#) [33UBARS1-04SW11](#) [33UBAR-04SW11](#) [USBF21ZNSCC](#) [USBBFTV6ZC](#) [10135326-001LF](#) [M9177/3-1](#) [USB-A-S-F-B-VT](#) [925](#) [4198](#) [690-024-633-031](#) [KUSBEX-BSFS1N-W](#) [USBFTVC6MRG](#) [UA-20BMFA-SL8001](#) [17-250101](#)