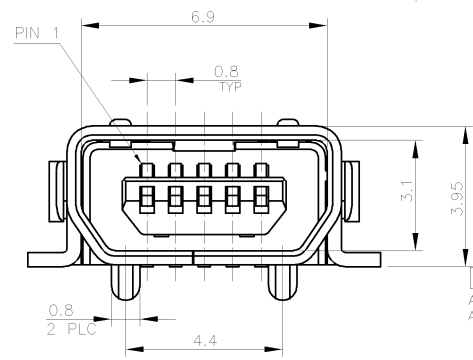
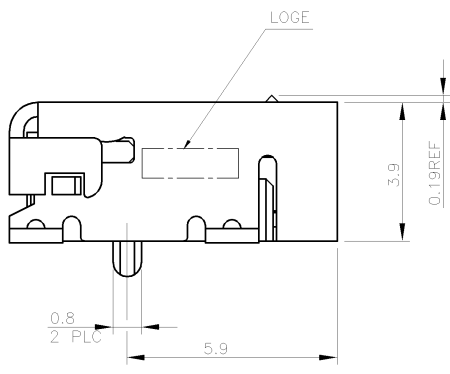
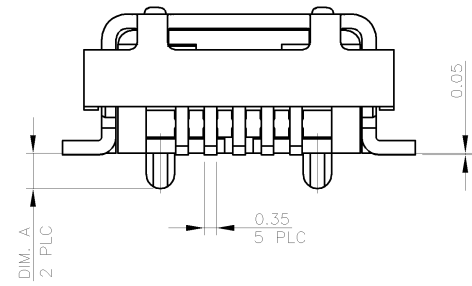
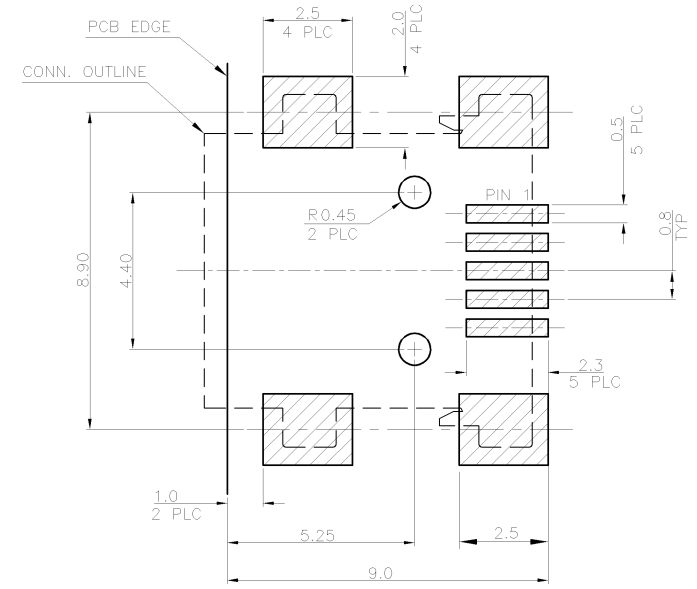
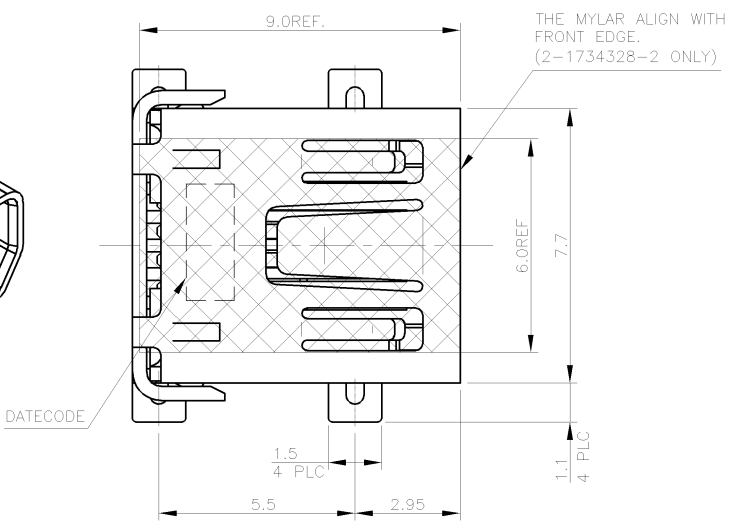
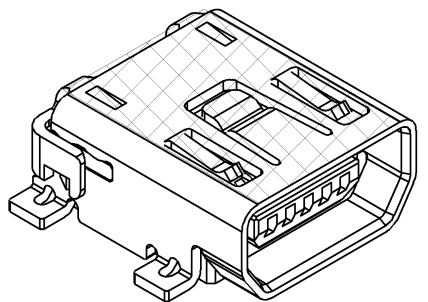


THIS DRAWING IS UNPUBLISHED. RELEASED FOR PUBLICATION AUG ,2006.
 © COPYRIGHT 2009 BY TYCO ELECTRONICS CORPORATION. ALL RIGHTS RESERVED.

LOC	DIST	REVISIONS					
DW		P	LTR	DESCRIPTION	DATE	DWN	APVD
		D		REVISED. (ECR-12-016806)	13DEC12	JL	WK



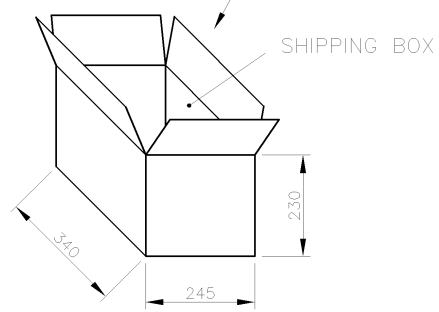
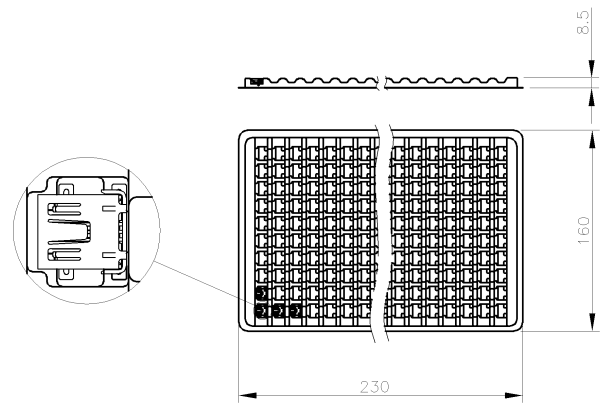
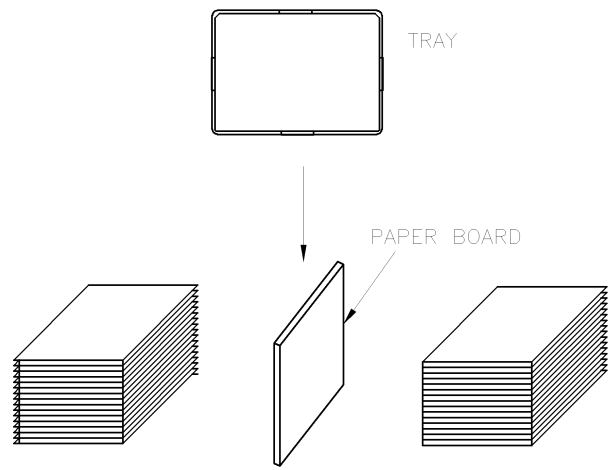
0.10 ALL SOLDER TAILS AND PEGS

W/	1.0	REEL	2-1734328-2
W/O	0.6	REEL	1-1734328-2
W/O	0.6	TRAY	1-1734328-1
W/O	1.0	REEL	1734328-2
W/O	1.0	TRAY	1734328-1
MYLAR	DIM.A	PACKAGE	PART NUMBER

NOTE:
 1. MATERIAL:
 HOUSING: PA9T W/ 33% GF, UL 94V-0, COLOR:BLACK.
 CONTACT: PHOSPHOR BRONZE, THICKNESS:0.25±0.05mm.
 SHELL: PHOSPHOR BRONZE, THICKNESS:0.40±0.05mm.
 MYLAR: POLYESTER FILM.
 2. FINISH:
 CONTACTS: 0.762um [30u"] MIN GOLD PLATED ON CONTACT AREA,
 2.54um [100u"] MIN MATTE-TIN PLATED ON SOLDER TAILS,
 1.27um [50u"] MIN. NICKEL UNDERPLATED ALL OVER.
 SHELL : 2.032um [80u"] MIN. NICKEL PLATED ALL OVER.
 3. REFLOW SOLDER CAPABLE TO 260°C PER TE SPEC 109-201 CONDITION B.

THIS DRAWING IS A CONTROLLED DOCUMENT.		DWN	F. YANG	13JUL2009	TE Connectivity
DIMENSIONS: MM		CHK	S. CHIEN	13JUL2009	
TOLERANCES UNLESS OTHERWISE SPECIFIED:		APVD	W. KODAMA	13JUL2009	MINI USB CONNECTOR, TYPE AB, RCPT, R/A, SMT TYPE
0 PLC ± - 1 PLC ± 0.3 2 PLC ± 0.2 3 PLC ± 0.15 4 PLC ± - ANGLES ± ± 3°		PRODUCT SPEC	108-57062		
MATERIAL	SEE NOTE	FINISH	SEE NOTE	WEIGHT	0.76 GRAMS
CUSTOMER DRAWING		SCALE	A3	CAGE CODE	00779
		DRAWING NO	C=1734328		RESTRICTED TO
		SHEET	1 of 3		REV
					D

LOC DW	DIST	REVISIONS			
P	LTR	DESCRIPTION	DATE	DWN	APVD
		SEE SHEET 1.			

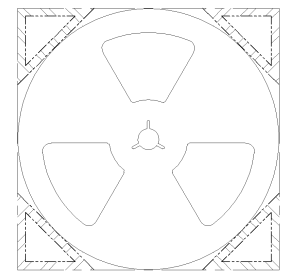
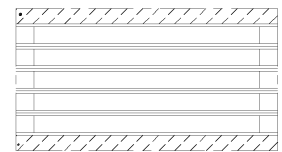
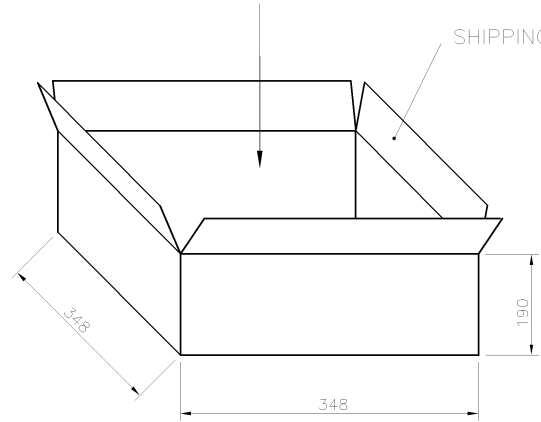
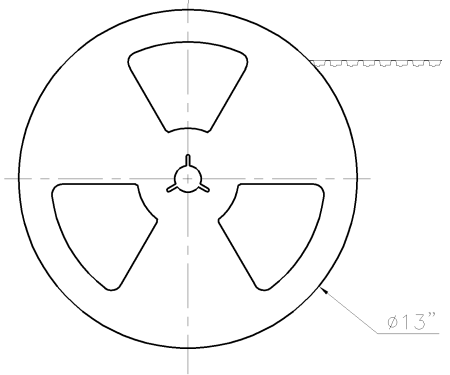
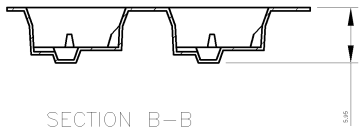
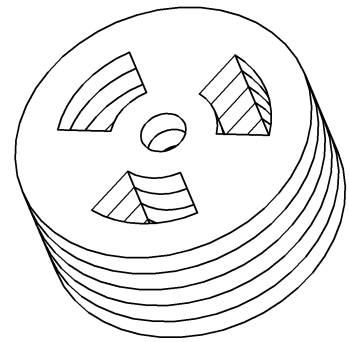
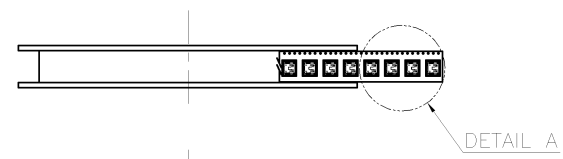
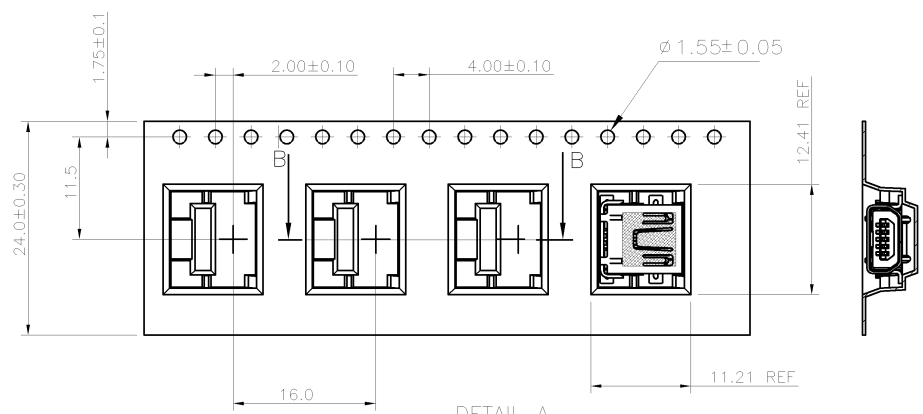


150	56	8400	9.2	6.7	1-1734328-1
PCS/TRAY	TRAYS/BOX	QUANTITY	G/W (Kg)	N/W (Kg)	PART NUMBER
					1734328-1

THIS DRAWING IS A CONTROLLED DOCUMENT.		DWN	STE TE Connectivity		
DIMENSIONS: MM		CHK			
TOLERANCES UNLESS OTHERWISE SPECIFIED:		APVD	NAME		
0 PLC ± -		PRODUCT SPEC	MINI USB CONNECTOR, TYPE AB, RCPT, R/A, SMT TYPE		
1 PLC ± -		APPLICATION SPEC	SIZE	CAGE CODE	DRAWING NO
2 PLC ± -		WEIGHT	A3	00779	C=1734328
3 PLC ± -		CUSTOMER DRAWING	SCALE		RESTRICTED TO
4 PLC ± -			SHEET 2 of 3		REV D
ANGLES ± -					
MATERIAL	FINISH				

THIS DRAWING IS UNPUBLISHED. RELEASED FOR PUBLICATION AUG ,2006.
 © COPYRIGHT 2009 BY TYCO ELECTRONICS CORPORATION. ALL RIGHTS RESERVED.

LOC	DIST	REVISIONS					
DW		P	LTR	DESCRIPTION	DATE	DWN	APVD
				SEE SHEET 1.			



PACKING BOX

700	5	3500	6.5	5.5	2-1734328-2
					1-1734328-2
					1734328-2
PCS/REEL	REELS/BOX	QUANTITY	G/W (Kg)	N/W (Kg)	PART NUMBER

THIS DRAWING IS A CONTROLLED DOCUMENT.		DWN	STE TE Connectivity		
DIMENSIONS: MM		CHK			
TOLERANCES UNLESS OTHERWISE SPECIFIED:		APVD	NAME		
0 PLC ± -		PRODUCT SPEC	MINI USB CONNECTOR, TYPE AB, RCPT, R/A, SMT TYPE		
1 PLC ± -		APPLICATION SPEC	SIZE	CAGE CODE	DRAWING NO
2 PLC ± -		WEIGHT	A3	00779	C=1734328
3 PLC ± -			RESTRICTED TO		
4 PLC ± -			CUSTOMER DRAWING		
ANGLES ± -			SCALE	SHEET	REV
MATERIAL				3 of 3	D
FINISH					

X-ON Electronics

Largest Supplier of Electrical and Electronic Components

Click to view similar products for [USB Connectors](#) category:

Click to view products by [TE Connectivity](#) manufacturer:

Other Similar products are found below :

[65-647-8-BK-BU](#) [950](#) [952](#) [E8144-B01021-L](#) [A-USB B-TOP-C](#) [MUSBA511N5](#) [MUSBD11135](#) [217450-1](#) [KMBVX-TH-5S-B30](#) [896-30-004-00-000000](#) [KUSBVX-BS1N-W30](#) [KUSBX-AP-KIT-SCBLK](#) [KUSBX-AS2N-W](#) [KUSBX-SMT2AP1S-W](#) [KUSBX-SMT2AP1S-W30](#) [935](#) [957](#) [30-498-6](#) [SK-60A-2](#) [17-210051](#) [1734082-1](#) [30-1574](#) [30-470](#) [30-489](#) [30-541](#) [30-572-3](#) [A-USB A-2P-C](#) [MIKROE-1451](#) [USBFTV2PEM2G](#) [USBFTVC6ZN](#) [KUSBX-AS2N-W30](#) [KUSBX-SLAS1N-W](#) [KUSBX-SMT-AS1N-W30](#) [4689-1](#) [1-1734084-2](#) [E8110-001-01](#) [33UBARS1-04SW11](#) [33UBAR-04SW11](#) [USBF21ZNSCC](#) [USBBFTV6ZC](#) [10135326-001LF](#) [USB-A-S-F-B-VT](#) [925](#) [4198](#) [690-024-633-031](#) [KUSBEX-BSFS1N-W](#) [USBFTVC6MRG](#) [UA-20BMFA-SL8001](#) [17-250101](#) [USBFTVC7ZC](#)