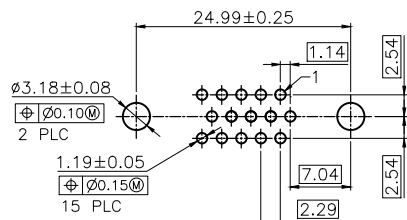
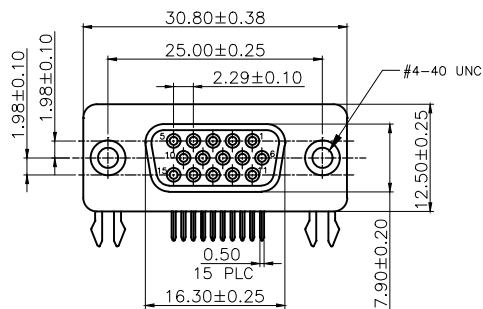


THIS DRAWING IS UNPUBLISHED. RELEASED FOR PUBLICATION
 © COPYRIGHT BY ALL RIGHTS RESERVED.

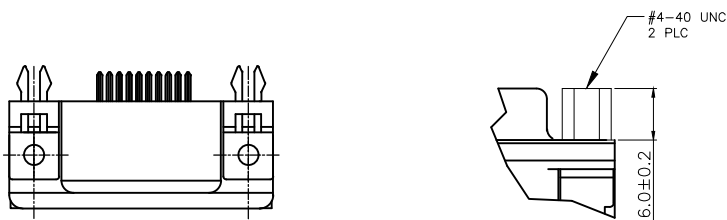
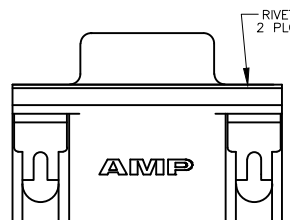
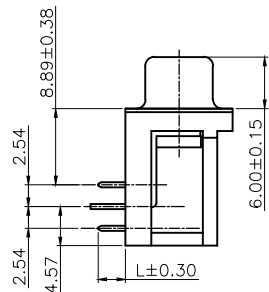
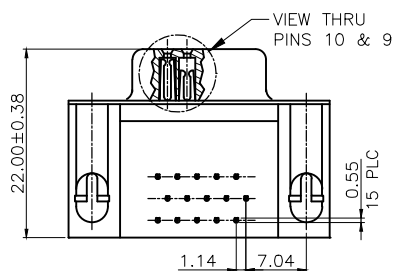
LOC	DIST	REVISIONS					
		P	LTR	DESCRIPTION	DATE	DWN	APVD
DW		C		REVISED PER ECO-17-013750	16FEB2018	AP	DG

NOTES:

- MATERIAL:
 - HOUSING: UL94V-0; COLOR: SEE TABLE.
 ▲: NY9T, THERMOPLASTIC, HIGH TEMP.
 △: PBT, THERMOPLASTIC.
 - CONTACTS: PHOSPHOR BRONZE
 - SHELL: SPCC
 - BOARDLOCK: BRASS
 - RIVET: BRASS
- FINISH:
 - CONTACT:
 GOLD PLATING ON CONTACT AREA,
 100µ" MIN. MATTE TIN PLATING ON SOLDER TAIL,
 50µ" MIN. NICKEL UNDERPLATED OVERALL.
 - BOARDLOCK:
 100µ" MIN. TIN PLATING
 50µ" MIN. NICKEL UNDERPLATED OVERALL.
 - SHELL: 50µ" MIN. NICKEL PLATING OVERALL.
 - RIVET: NICKEL PLATING OVERALL.
- RECOMMENDED PCB THICKNESS: 1.6mm
- WAVE SOLDER CAPABLE TO 265°C
 PER TE CONNECTIVITY SPEC. 109-202, CONDITION B.



RECOMMENDED P.C. BOARD LAYOUT



DETAIL Z (W/SCREWLOCKS OPTION)

REVISION	DESCRIPTION	DATE	BY	CHK	APVD	QTY	UNIT	DESCRIPTION	FASTENER OPTION	PART NUMBER
1	300U BLUE	3.20	TRAY	10µ"	RIVET, THREADED W/O SCREW	5	1734344-3			
2	300U BLUE	3.70	TRAY	30µ"	RIVET, THREADED W/O SCREW	2	1734344-4			
3	300U BLUE	3.20	TRAY	30µ"	RIVET, THREADED W/O SCREW	2	1734344-3			
4	661C BLUE	2.67	TRAY	30µ"	RIVET, THREADED W/O SCREW	2	1734344-2			
5	661C BLUE	2.67	TRAY	G/F	W/FEMALE SCREWLOCKS (DETAIL Z)	1	1734344-2			
6	300U BLUE	3.20	TRAY	G/F	W/FEMALE SCREWLOCKS (DETAIL Z)	1	1734344-1			
7	BLACK	2.67	TUBE	15µ"	W/FEMALE SCREWLOCKS (DETAIL Z)	1	1734344-5			
8	300U BLUE	3.20	TUBE	10µ"	RIVET, THREADED W/O SCREW	1	1734344-4			
9	300U BLUE	3.20	TRAY	10µ"	RIVET, THREADED W/O SCREW	1	1734344-3			
10	661C BLUE	2.67	TRAY	G/F	RIVET, THREADED W/O SCREW	1	1734344-2			
11	300U BLUE	3.20	TRAY	G/F	RIVET, THREADED W/O SCREW	1	1734344-1			

THIS DRAWING IS A CONTROLLED DOCUMENT.		DWN	16JAN2006		
		CHK	16JAN2006		
		APVD	16JAN2006	NAME RCPT ASM, SZ 1, 15 POSN, RT ANG, FRONT METAL, SHELL AMPLIMITE HD-22	
		PRODUCT SPEC	108-57541		
		QUALIFICATION TEST REPORT	501-57623	SIZE	A3
		WEIGHT	9.0g/PCS(W/ SCREW) 11.1g/PCS(W/O SCREW)	CAGE CODE	00779
		CUSTOMER DRAWING		DRAWING NO	C=1734344
		SCALE		SHEET	1 OF 3
		REV	C		

4

3

2

1

THIS DRAWING IS UNPUBLISHED.

RELEASED FOR PUBLICATION

ALL RIGHTS RESERVED.

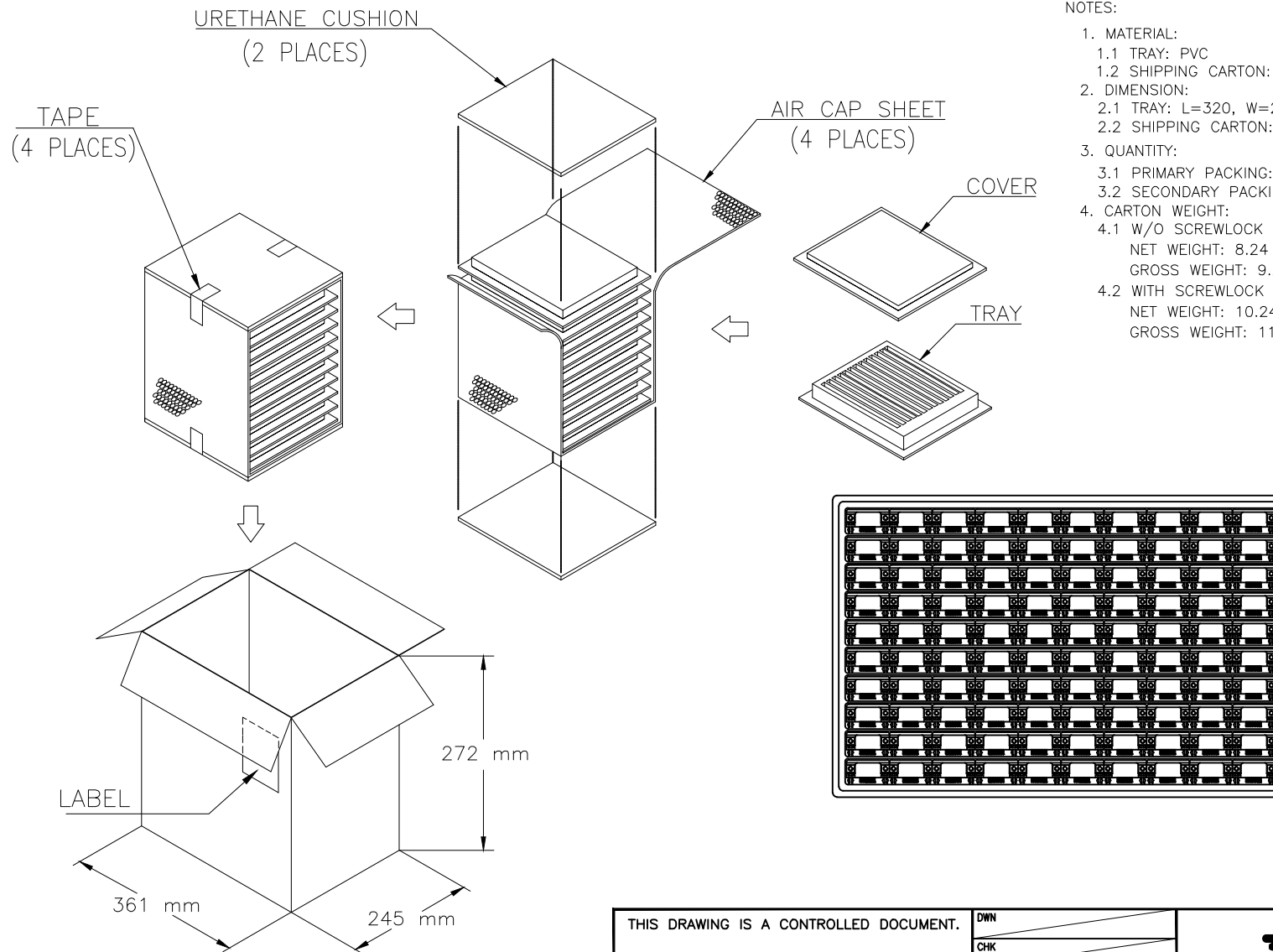
© COPYRIGHT - BY -

LOC DW

DIST

REVISIONS

P	LTR	DESCRIPTION	DATE	DWN	APVD
-	-	SEE SHEET 1.	-	-	-



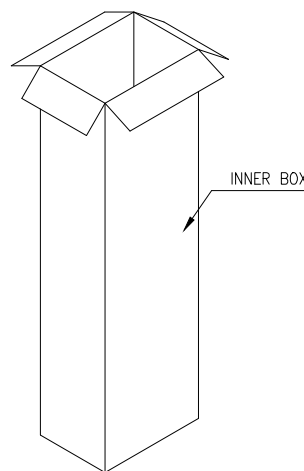
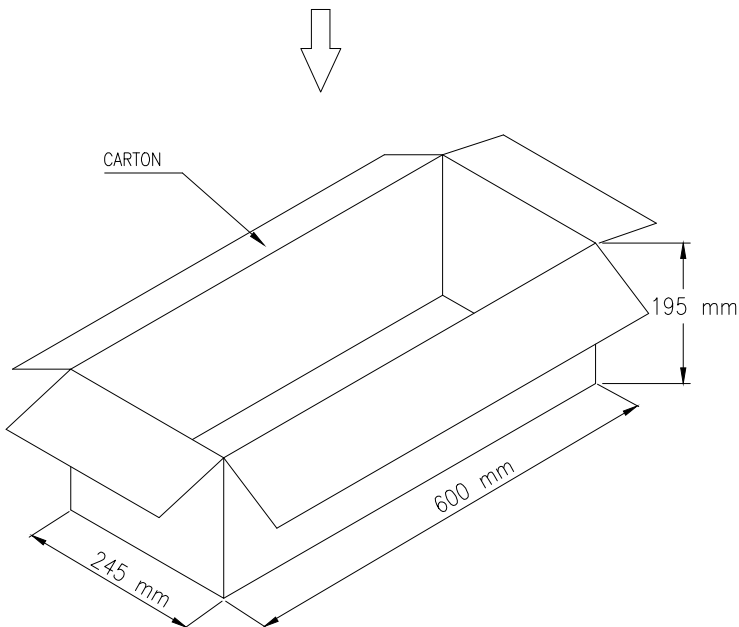
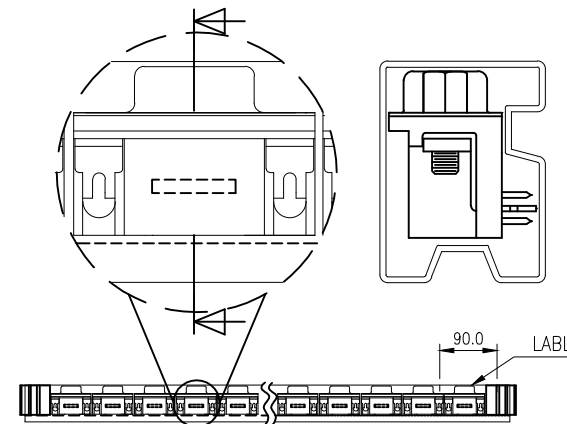
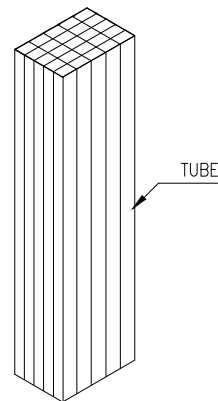
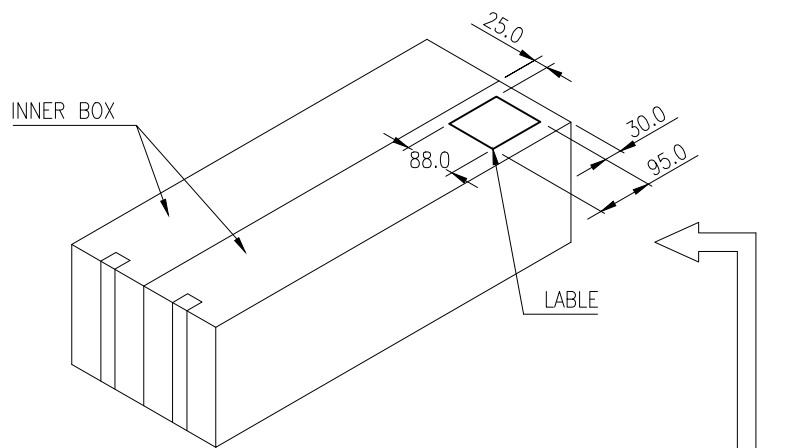
NOTES:

1. MATERIAL:
 - 1.1 TRAY: PVC
 - 1.2 SHIPPING CARTON: CORRUGATED FIBERBOARD
2. DIMENSION:
 - 2.1 TRAY: L=320, W=230, H=18.9
 - 2.2 SHIPPING CARTON: L=361, W=245, H=272
3. QUANTITY:
 - 3.1 PRIMARY PACKING: 100 PCS/TRAY
 - 3.2 SECONDARY PACKING: 10 TRAY/CARTON(1000PCS)
4. CARTON WEIGHT:
 - 4.1 W/O SCREWLOCK
NET WEIGHT: 8.24 Kg
GROSS WEIGHT: 9.24 Kg
 - 4.2 WITH SCREWLOCK
NET WEIGHT: 10.24 Kg
GROSS WEIGHT: 11.24 Kg

THIS DRAWING IS A CONTROLLED DOCUMENT.		DWN	TE Connectivity	
DIMENSIONS: MM		CHK	NAME	
TOLERANCES UNLESS OTHERWISE SPECIFIED:		APVD	RCPT ASM, SZ 1, 15 POSN, RT ANG, FRONT METAL, SHELL AMPLIMITE HD-22	
0 PLC ± -		PRODUCT SPEC	SIZE	RESTRICTED TO
1 PLC ± -		APPLICATION SPEC	CAGE CODE	
2 PLC ± -		WEIGHT	DRAWING NO	
3 PLC ± -		CUSTOMER DRAWING	A3 00779	
4 PLC ± -		SCALE	©=1734344	
ANGLES ± -		SHEET		
FINISH		2 OF 3		
		REV		C

THIS DRAWING IS UNPUBLISHED. RELEASED FOR PUBLICATION
 © COPYRIGHT - BY - ALL RIGHTS RESERVED.

LOC	DIST	REVISIONS			
P	LTR	DESCRIPTION	DATE	DWN	APVD
-	-	SEE SHEET 1.	-	-	-



NOTES:

1. MATERIAL:
 - 1.1 TRAY: PVC
 - 1.2 SHIPPING CARTON: CORRUGATED FIBERBOARD
2. DIMENSION:
 - 2.1 TRAY: L=560, W=17.8, H=27.4
 - 2.2 SHIPPING CARTON: L=600, W=245, H=195
3. QUANTITY:
 - 3.1 PRIMARY PACKING: 17 PCS/TUBE
 - 3.2 SECONDARY PACKING: 25 TUPE/BOX
 - 3.3 THIRD PACKING: 2 BOX/CARTON(850PCS)
4. CARTON WEIGHT:
 - 4.1 W/O SCREWLOCK
NET WEIGHT: 8.24 Kg
GROSS WEIGHT: 9.24 Kg
 - 4.2 WITH SCREWLOCK
NET WEIGHT: 10 Kg
GROSS WEIGHT: 11 Kg

THIS DRAWING IS A CONTROLLED DOCUMENT.		DWN			
DIMENSIONS: MM		CHK			
TOLERANCES UNLESS OTHERWISE SPECIFIED:		APVD		NAME	
0 PLC ± -		PRODUCT SPEC		RCPT ASM, SZ 1, 15 POSN, RT ANG, FRONT METAL, SHELL AMPLIMITE HD-22	
1 PLC ± -		APPLICATION SPEC		SIZE	
2 PLC ± -		WEIGHT		CAGE CODE	
3 PLC ± -		CUSTOMER DRAWING		DRAWING NO	
4 PLC ± -		SCALE		RESTRICTED TO	
ANGLES ± -		SHEET		A3 00779 C=1734344	
FINISH		3 OF 3		REV C	

X-ON Electronics

Largest Supplier of Electrical and Electronic Components

Click to view similar products for [D-Sub High Density Connectors](#) category:

Click to view products by [TE Connectivity](#) manufacturer:

Other Similar products are found below :

[97-3250-11](#) [163A17089X](#) [164A17199X](#) [164C18629X](#) [L717HDB44POL2R210](#) [L717HDEH15POL2](#) [L777HDE15P](#) [L77HDE15SC309](#)
[163A16759X](#) [163A16839X](#) [163A16989X](#) [163A17079X](#) [164A17329X](#) [164A18219X](#) [241A16440X](#) [241A16550X](#) [241A16680X](#)
[241A20810X](#) [241A25740X](#) [CT25-44P](#) [MDBE15PE766](#) [L177HDE15SOL2RM23](#) [L177HRC62SVFM](#) [L177HRCG62S](#)
[L717HDEG15POL2RM5](#) [L77HDA26SVF](#) [L77HDE15SD1CO](#) [L77HDEH15SOL2RM832](#) [DAMA-15S-WS](#) [443895-3](#) [106698-1](#) [280-](#)
[012K2C](#) [DBMV13H3SNA197](#) [L177HRB44S](#) [164A17039X](#) [09562004701510](#) [L777HRC62P](#) [241A17960X](#) [164A18269X](#) [280-019S1S9MEN](#)
[L777HDEG15P](#) [280-018P3S25MEGN](#) [206504-2](#) [40-9415HDSP](#) [40-9515HDSP](#) [2057140-1](#) [C115370-6002](#) [DFMA104SNMBFR172FR022](#)
[HDC9F200E2S](#) [L717HDAG26POL2RM8](#)