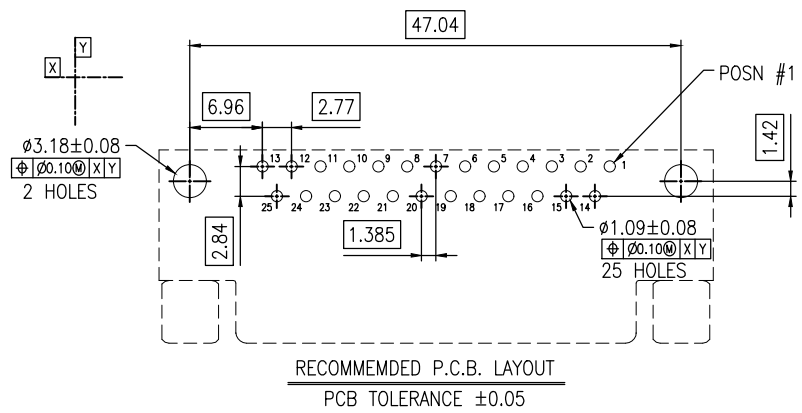
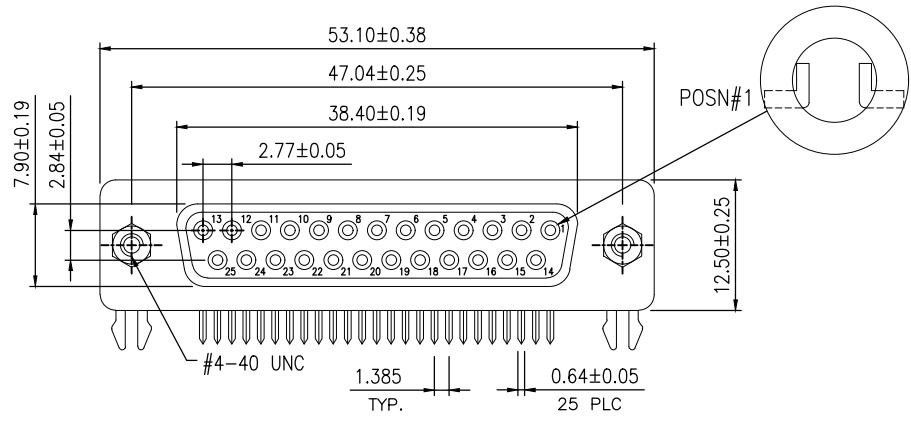
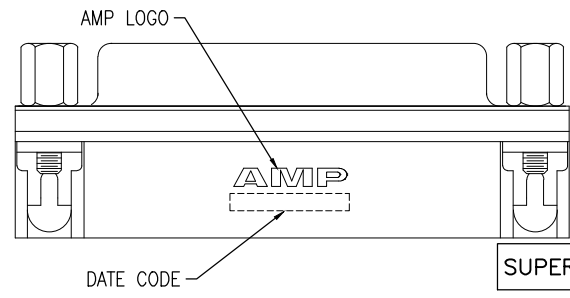
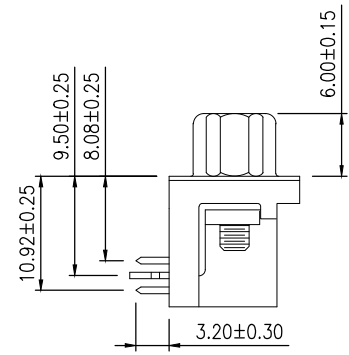
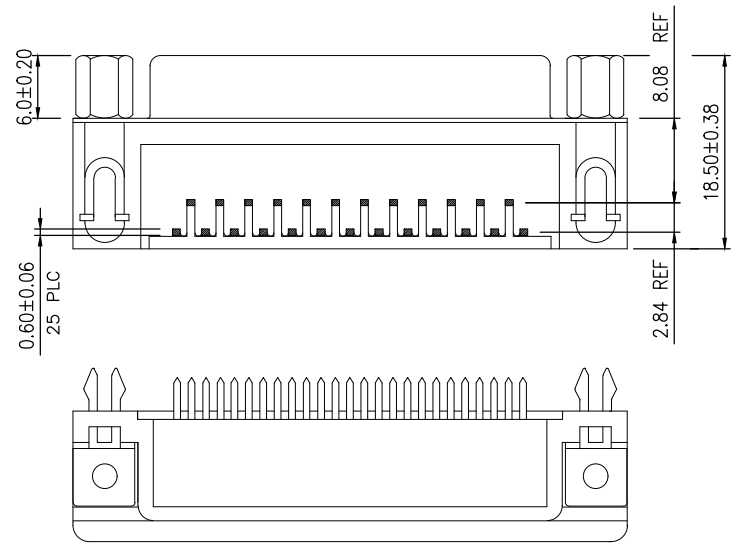


THIS DRAWING IS UNPUBLISHED. RELEASED FOR PUBLICATION  
 © COPYRIGHT BY - ALL RIGHTS RESERVED.

LOC		DIST		REVISIONS			
P	LTR	DESCRIPTION		DATE	DWN	APVD	
	B	REVISED PER ECO-17-013750		16FEB2018	AP	DG	



- NOTES:
- MATERIAL:
    - HOUSING: PBT WITH 30% G.F., UL 94V-0, COLOUR: BLACK
    - CONTACTS: PHOSPHOR BRONZE
    - SHELL: SPCC
    - BOARDLOCKS: BRASS
    - RIVET: BRASS
    - SCREWLOCKS: BRASS, SCREW THREAD LENGTH: 6.0 MIN.
  - FINISH:
    - CONTACT: (SEE TABLE)  
GOLD PLATING ON CONTACT AREA.  
2.54µm[100µ"] MIN. MATTE-TIN ON SOLDER TAIL,  
1.27µm[50µ"] MIN. NICKEL UNDERPLATED ON ENTIRE CONTACT.
    - BOARDLOCK:  
2.54µm[100µ"] MIN. MATTE-TIN OVER 1.27µm[50µ"] MIN. NICKEL UNDERPLATED ON ENTIRE CONTACT.
    - SHELL: NICKEL PLATED
    - RIVET: NICKEL PLATED
    - SCREWLOCKS: NICKEL PLATED
  - NET WEIGHT: 14.1 gram/pc
  - THREADED INSERTS AND SCREWLOCKS MUST WITHSTAND 6 IN-LBS TORQUE.
  - DATE CODE: YYYY
  - WAVE SOLDER CAPABLE TO 265°C  
PER TE CONNECTIVITY SPEC. 109-202, CONDITION B.



OBSOLETE	0.38µm[15µ"]	1734349-2
SUPERSEDED BY 2311766-1	GOLD-FLASH	1734349-1
	CONTACT FINISH MIN.	PART NO.

THIS DRAWING IS A CONTROLLED DOCUMENT.		DWN	17NOV2006		
		J. LEE			
		CHK	17NOV2006	NAME RECEPTACLE ASSEMBLY, 25 POSN, RIGHT ANGLE, 8.08mm[0.318in]	
		S. HOU			
		APVD	17NOV2006	SIZE A3	
		W.J. KE			
DIMENSIONS: MM 		TOLERANCES UNLESS OTHERWISE SPECIFIED: 0 PLC ± - 1 PLC ± 0.38 2 PLC ± 0.25 3 PLC ± 0.15 4 PLC ± - ANGLES ± -		PRODUCT SPEC 108-57541 QUALIFICATION TEST REPORT 501-57623	
MATERIAL SEE NOTE		FINISH SEE NOTE		WEIGHT SEE NOTE	
CUSTOMER DRAWING				CAGE CODE 00779	DRAWING NO C=1734349
				SCALE -	SHEET 1 OF 2
				RESTRICTED TO -	REV B

4

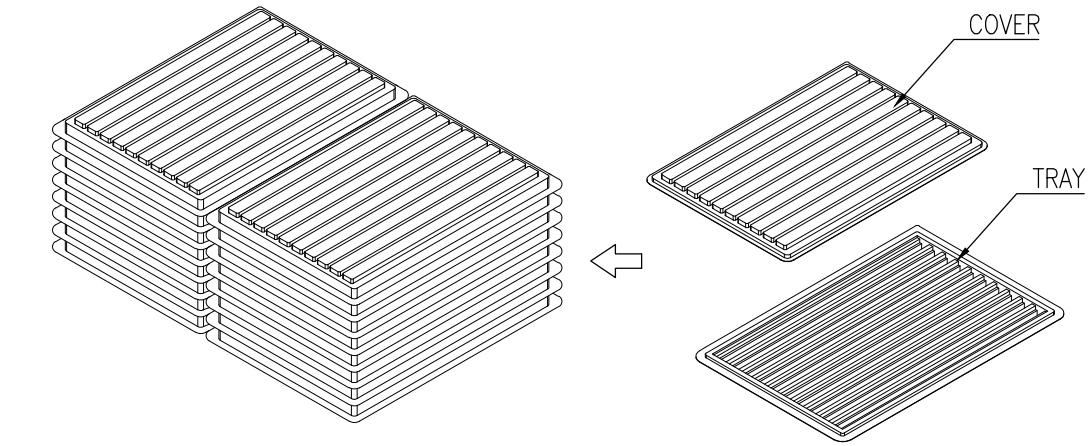
3

2

1

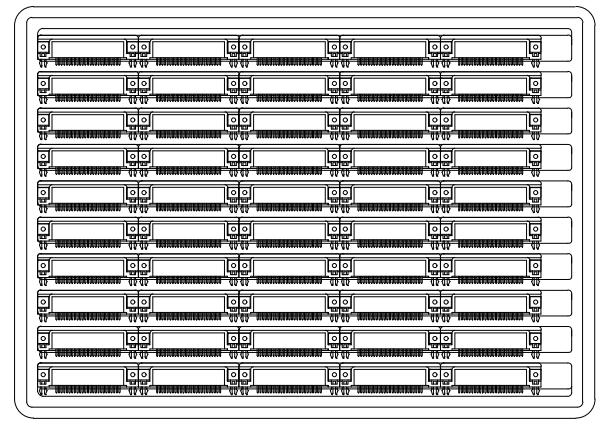
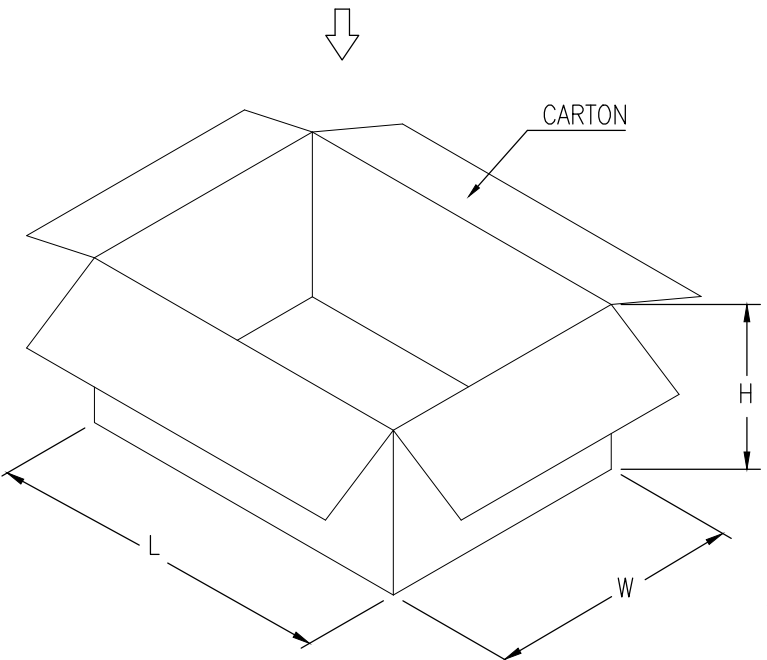
THIS DRAWING IS UNPUBLISHED.      RELEASED FOR PUBLICATION      - - -  
 © COPYRIGHT - BY -      ALL RIGHTS RESERVED.

LOC DW	DIST /	REVISIONS			DATE	DWN	APVD
P	LTR	DESCRIPTION					
		SEE SHEET 1.					



NOTES:

1. MATERIAL:
  - 1.1 TRAY: PVC
  - 1.2 SHIPPING CARTON: CORRUGATED FIBERBOARD
2. DIMENSION:
  - 2.1 TRAY: L=306, W=217, H=15
  - 2.2 SHIPPING CARTON: L=440, W=321, H=210
3. QUANTITY:
  - 3.1 PRIMARY PACKING: 50 PCS/TRAY
  - 3.2 SECONDARY PACKING: 16 TRAY/CARTON (800PCS)
4. CARTON WEIGHT:
  - 4.1 NET WEIGHT: 11.3 KG
  - 4.2 GROSS WEIGHT: 12.8 KG



THIS DRAWING IS A CONTROLLED DOCUMENT.		DWN			
		CHK			
		APVD	NAME		
DIMENSIONS:		TOLERANCES UNLESS OTHERWISE SPECIFIED:		PRODUCT SPEC	
MM				APPLICATION SPEC	
	0 PLC	±	-		
	1 PLC	±	-		
	2 PLC	±	-		
	3 PLC	±	-		
	4 PLC	±	-		
	ANGLES	±	-		
MATERIAL	FINISH			SIZE	CAGE CODE
				A3	00779
				DRAWING NO	RESTRICTED TO
				C=1734349	-
		CUSTOMER DRAWING		SCALE	SHEET
				-	2 OF 2
				REV	B

## X-ON Electronics

Largest Supplier of Electrical and Electronic Components

*Click to view similar products for [D-Sub Standard Connectors](#) category:*

*Click to view products by [TE Connectivity](#) manufacturer:*

Other Similar products are found below :

[56F711-015](#) [012-9507-004](#) [LV242999-142T12](#) [015-0341-000](#) [015-0372-005](#) [015-0372-008](#) [015-8755-001](#) [020419-0104](#) [012-0467-000](#) [012-0515-000](#) [012-9507-034](#) [012-9507-114](#) [020745-0008](#) [609-25P](#) [M24308/2-23Z](#) [CT2-14S-2PCA34](#) [CT2-18-11PCAU](#) [CT6-10SL-3SC](#) [CT6-10SL-4SC](#) [CT6-14S-2SC](#) [CT6E14SA7SC](#) [M83513/01-FC](#) [M83723/76W24619 L/C](#) [M85049/48-3-2F](#) [6STD09PCM99B70X](#) [6STD09SCM99B30X](#) [6STD09SCT99S40X](#) [6STD15PCT99S40X](#) [6STD15SCM99B30X](#) [6STD15SCT99S40X](#) [6STF09PCM05B70X](#) [7-135760-9](#) [MC11E-10-6SN](#) [747552-3](#) [MD1-21PS](#) [MDM-15SCBRM7-F222](#) [MDM96517-699](#) [MDM96521-744](#) [MDVB1-21SL1](#) [MIK0-1-7SH003](#) [MIKQ6-7SH076](#) [MIKQ7-7PH077](#) [MIKQ7-7PH11](#) [MIKQ7-7PH32](#) [MJSV-28SL61](#) [MKJ4A1F14-55S](#) [8-135760-3](#) [8STD09PCM99B30X](#) [PG-KV/PV-16-GROM-SEALING](#) [GDA15P](#)