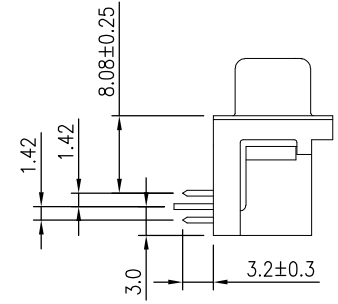
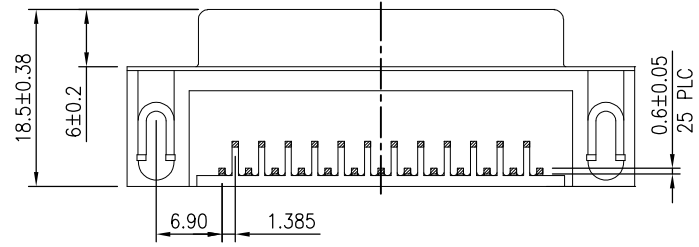
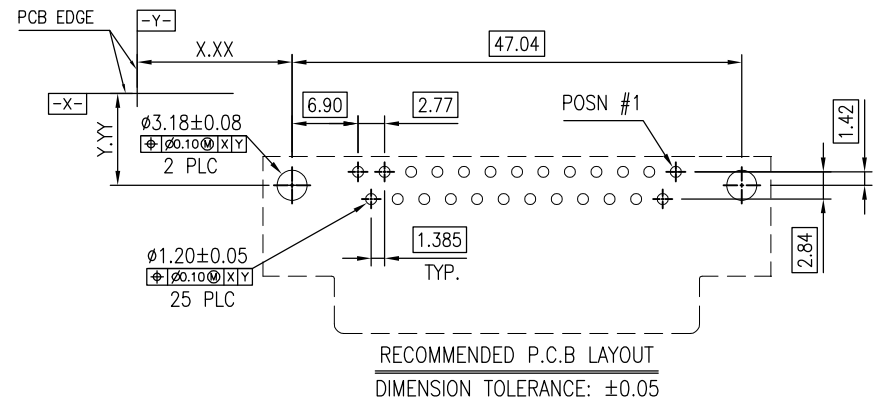
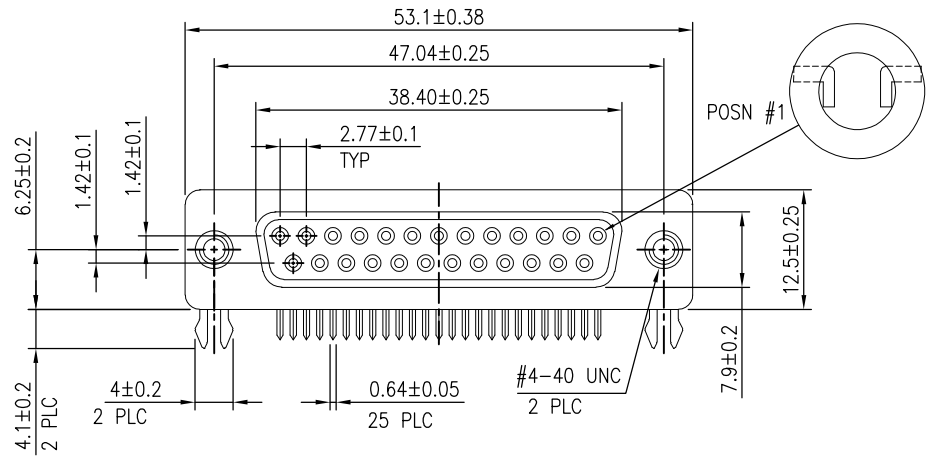
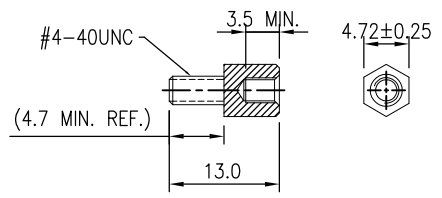
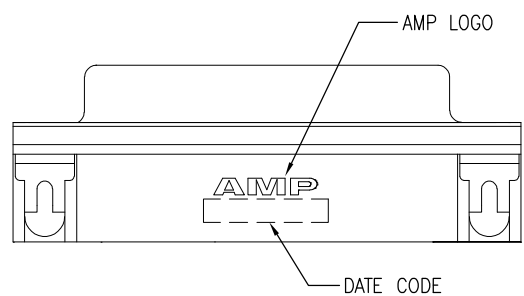
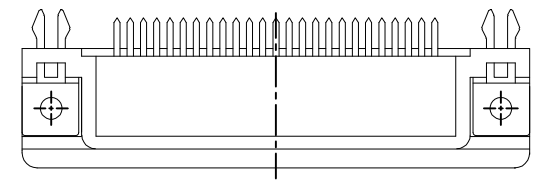


THIS DRAWING IS UNPUBLISHED. RELEASED FOR PUBLICATION
 © COPYRIGHT BY ALL RIGHTS RESERVED.

LOC		DIST		REVISIONS			
P	LTR	DESCRIPTION		DATE	DWN	APVD	
DW		B		REVISED PER ECO-17-013750	16FEB18	AP	DG



- NOTES:
- MATERIAL:
 - HOUSING: PBT OR NY9T, UL 94V-0 RATED, COLOR: SEE TABLE
 - CONTACTS: PHOSPHOR BRONZE
 - SHELL: SPCC
 - BOARDLOCKS: BRASS
 - RIVET: BRASS
 - FINISH:
 - CONTACT:
 - GOLD PLATING ON CONTACT AREA. (SEE TABLE)
 - 100µ" MIN. MATTE TIN PLATING ON SOLDER TAIL AREA,
 - 50µ" MIN. NICKEL UNDERPLATED OVERALL,
 - BOARDLOCK:
 - 100µ" MIN MATTE TIN PLATING
 - 50µ" MIN NICKEL UNDERPLATED OVERALL,
 - SHELL: NICKEL PLATING OVERALL
 - RIVET: NICKEL PLATING OVERALL
 - RECOMMENDED PCB THICKNESS: 1.6 mm
 - WAVE SOLDER CAPABLE TO 265°C,
PER TE CONNECTIVITY SPEC. 109-202, CONDITION B.
 - THREADED INSERTS MUST WITHSTAND 6 IN-LBS TORQUE.



THIS PRODUCT EQUIPPED WITH NO SCREW
 RECOMMENDED OUTSOURCING SCREW TYPE

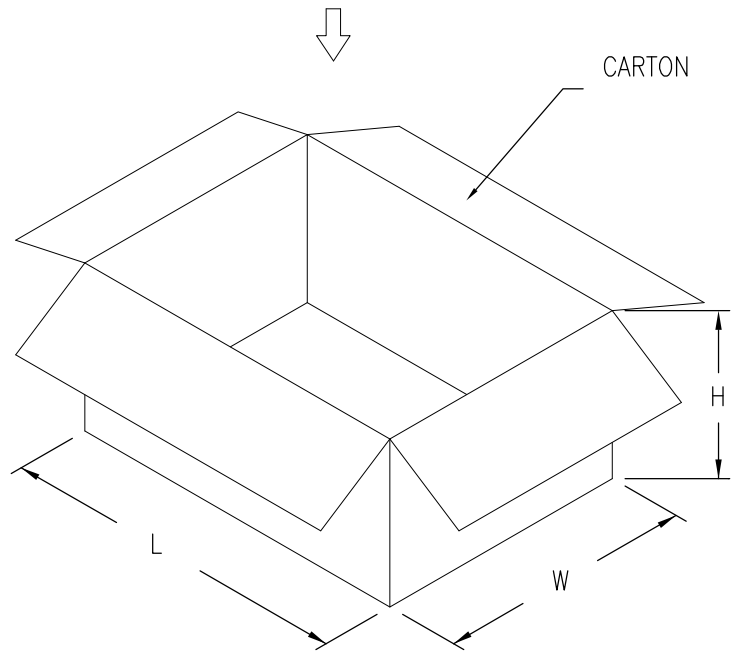
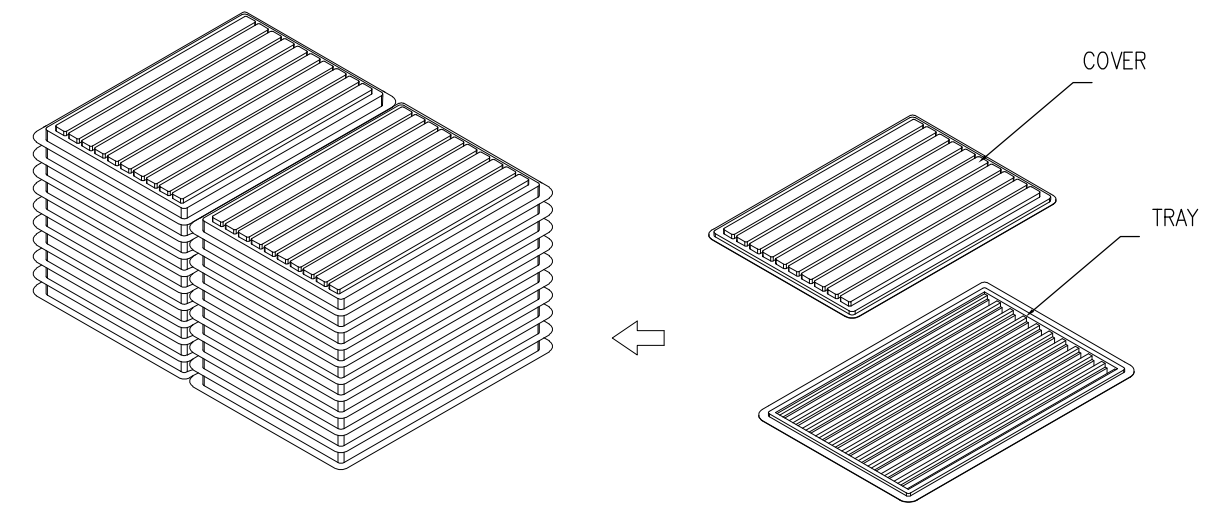
OBSOLETE	BURGUNDY 235C	NY9T	15µ"	2-	-6
			G/F	2-	-5
BLACK	PBT	NY9T	15µ"	2-	-1
			G/F	2-	-0
PBT	PBT	NY9T	15µ"	1-	-2
			G/F	1-	-1
PBT	PBT	NY9T	15µ"	1-	-2
			G/F	1-	-2
SUPERSEDED BY 2311762-1					
COLOR	HSG MATERIAL	COLD FINISH	PART NO.		

THIS DRAWING IS A CONTROLLED DOCUMENT.

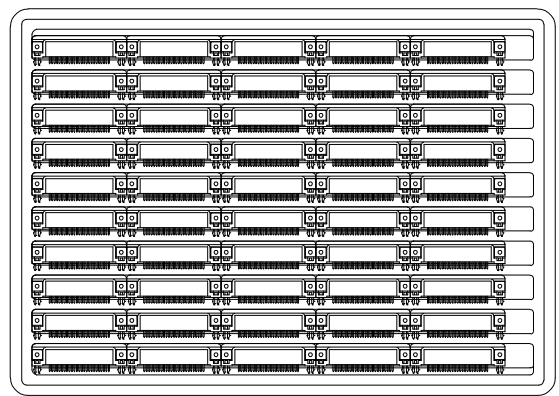
DIMENSIONS: MM	TOLERANCES UNLESS OTHERWISE SPECIFIED:	DWN J. LEE 09MAR2007	TE Connectivity NAME AMPLIMITE 8.08mm[0.318in] SERIES, R/A, RCPT, 25 POS
		CHK S. HOU 09MAR2007	
		APVD W.J. KE 09MAR2007	
		PRODUCT SPEC 108-57541	
		QUALIFICATION TEST REPORT 501-57623	SIZE A3
MATERIAL SEE NOTE	FINISH SEE NOTE	WEIGHT 7.0 GRAMS	CAGE CODE 00779
		CUSTOMER DRAWING	DRAWING NO C=1734350
			RESTRICTED TO
		SCALE -	SHEET 1 OF 2
			REV B

THIS DRAWING IS UNPUBLISHED. RELEASED FOR PUBLICATION
 © COPYRIGHT - BY - ALL RIGHTS RESERVED.

LOC		DIST		REVISIONS			
P	LTR	DESCRIPTION		DATE	DWN	APVD	
		SEE SHEET 1.					



- NOTES:
- MATERIAL:
 - TRAY: PVC
 - SHIPPING CARTON: CORRUGATED FIBERBOARD
 - DIMENSION:
 - TRAY: L=306, W=217, H=15
 - SHIPPING CARTON: L=440, W=321, H=210
 - QUANTITY:
 - PRIMARY PACKING: 50 PCS/TRAY
 - THIRD PACKING: 20 TRAY/CARTON(1,000PCS)
 - WEIGHT:
 - NET WEIGHT: 7.0 Kg
 - GROSS WEIGHT: 8.0 Kg



THIS DRAWING IS A CONTROLLED DOCUMENT.		DWN	-		
		CHK	-		
		APVD	-		NAME
DIMENSIONS:		TOLERANCES UNLESS OTHERWISE SPECIFIED:		PRODUCT SPEC	
MM				-	
	0 PLC	±	-	APPLICATION SPEC	
	1 PLC	±	-	-	
	2 PLC	±	-	WEIGHT	
	3 PLC	±	-	-	
	4 PLC	±	-	CUSTOMER DRAWING	
	ANGLES	±	-	SCALE	
	FINISH	-	-	SHEET 2 OF 2	
MATERIAL		-		REV B	

SIZE	CAGE CODE	DRAWING NO	RESTRICTED TO
A3	00779	C=1734350	-

TE TE Connectivity

AMPLIMITE 8.08mm[0.318in] SERIES,
R/A, RCPT, 25 POS

X-ON Electronics

Largest Supplier of Electrical and Electronic Components

Click to view similar products for [D-Sub Standard Connectors](#) category:

Click to view products by [TE Connectivity](#) manufacturer:

Other Similar products are found below :

[56F711-015](#) [012-9507-004](#) [LV242999-142T12](#) [015-0341-000](#) [015-0372-005](#) [015-0372-008](#) [015-8755-001](#) [020419-0104](#) [012-0467-000](#) [012-0515-000](#) [012-9507-034](#) [012-9507-114](#) [020745-0008](#) [609-25P](#) [M24308/2-23Z](#) [CT2-14S-2PCA34](#) [CT2-18-11PCAU](#) [CT6-10SL-3SC](#) [CT6-10SL-4SC](#) [CT6-14S-2SC](#) [CT6E14SA7SC](#) [M83513/01-FC](#) [M83723/76W24619 L/C](#) [M85049/48-3-2F](#) [6STD09PCM99B70X](#) [6STD09SCM99B30X](#) [6STD09SCT99S40X](#) [6STD15PCT99S40X](#) [6STD15SCM99B30X](#) [6STD15SCT99S40X](#) [6STF09PCM05B70X](#) [7-135760-9](#) [MC11E-10-6SN](#) [747552-3](#) [MD1-21PS](#) [MDM-15SCBRM7-F222](#) [MDM96517-699](#) [MDM96521-744](#) [MDVB1-21SL1](#) [MIK0-1-7SH003](#) [MIKQ6-7SH076](#) [MIKQ7-7PH077](#) [MIKQ7-7PH11](#) [MIKQ7-7PH32](#) [MJSV-28SL61](#) [MKJ4A1F14-55S](#) [8-135760-3](#) [8STD09PCM99B30X](#) [PG-KV/PV-16-GROM-SEALING](#) [GDA15P](#)