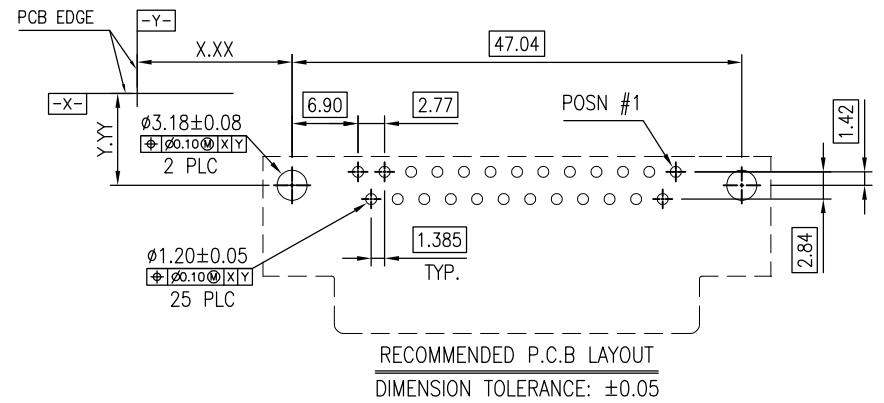
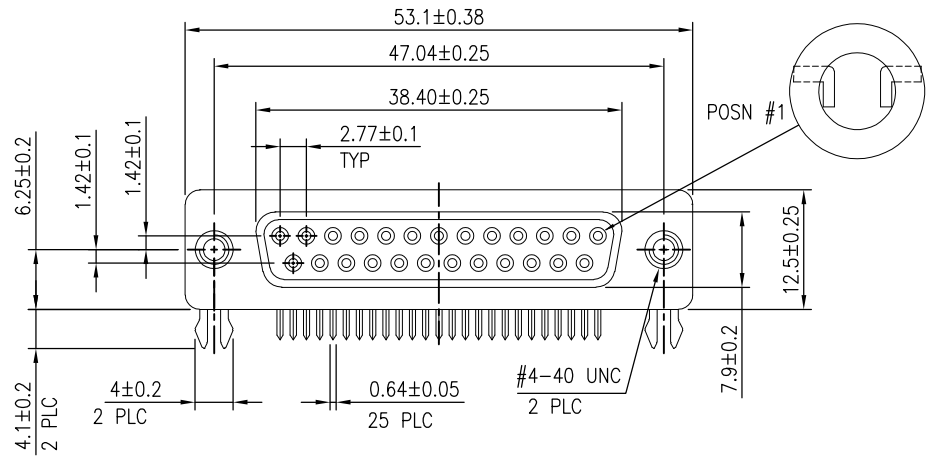
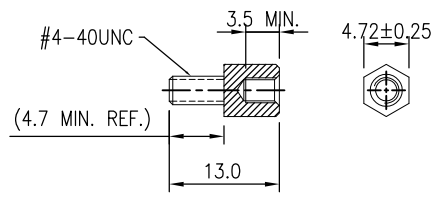
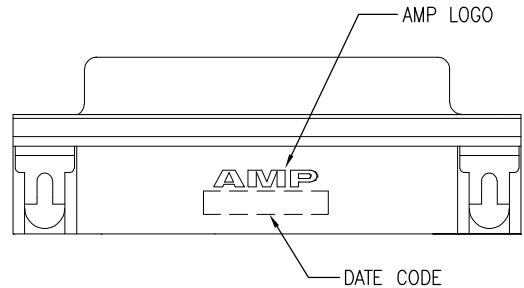
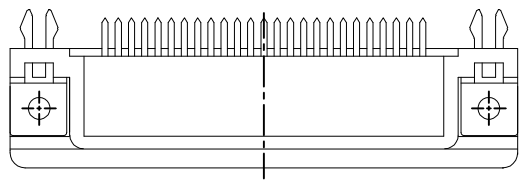
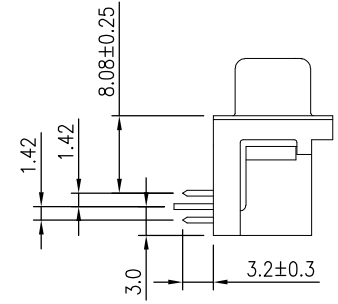
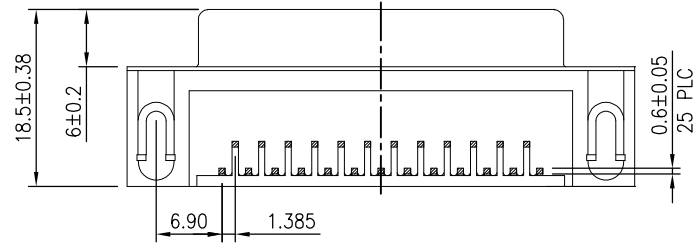


THIS DRAWING IS UNPUBLISHED. RELEASED FOR PUBLICATION
 © COPYRIGHT BY ALL RIGHTS RESERVED.

LOC		DIST		REVISIONS			
P	LTR	DESCRIPTION		DATE	DWN	APVD	
DW		B		REVISED PER ECO-17-013750	16FEB18	AP	DG



- NOTES:
- MATERIAL:
 - HOUSING: PBT OR NY9T, UL 94V-0 RATED, COLOR: SEE TABLE
 - CONTACTS: PHOSPHOR BRONZE
 - SHELL: SPCC
 - BOARDLOCKS: BRASS
 - RIVET: BRASS
 - FINISH:
 - CONTACT:
 - GOLD PLATING ON CONTACT AREA. (SEE TABLE)
 - 100µ" MIN. MATTE TIN PLATING ON SOLDER TAIL AREA,
 - 50µ" MIN. NICKEL UNDERPLATED OVERALL,
 - BOARDLOCK:
 - 100µ" MIN MATTE TIN PLATING
 - 50µ" MIN NICKEL UNDERPLATED OVERALL,
 - SHELL: NICKEL PLATING OVERALL
 - RIVET: NICKEL PLATING OVERALL
 - RECOMMENDED PCB THICKNESS: 1.6 mm
 - WAVE SOLDER CAPABLE TO 265°C,
 PER TE CONNECTIVITY SPEC. 109-202, CONDITION B.
 - THREADED INSERTS MUST WITHSTAND 6 IN-LBS TORQUE.



THIS PRODUCT EQUIPPED WITH NO SCREW
 RECOMMENDED OUTSOURCING SCREW TYPE

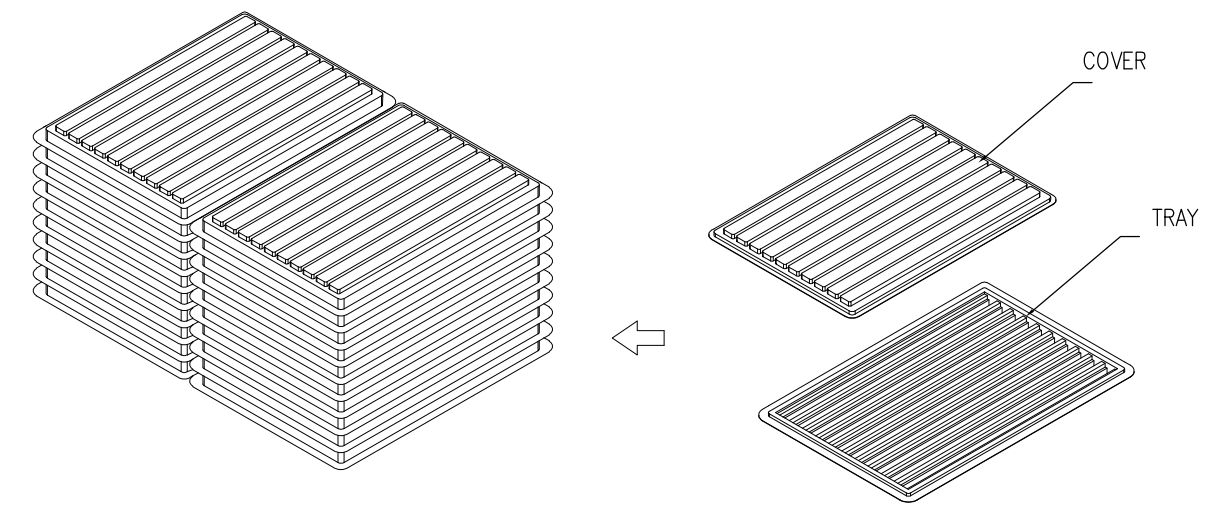
OBSOLETE	BURGUNDY 235C	NY9T	15µ"	2-	-6
			G/F	2-	-5
BLACK	PBT	NY9T	15µ"	2-	-1
			G/F	2-	-0
SUPERSEDED BY 2311762-1	COLOR	HSG MATERIAL	15µ"	1-	-2
			G/F	1-	-1
			G/F		1734350-1
			COLD FINISH		PART NO.

THIS DRAWING IS A CONTROLLED DOCUMENT.

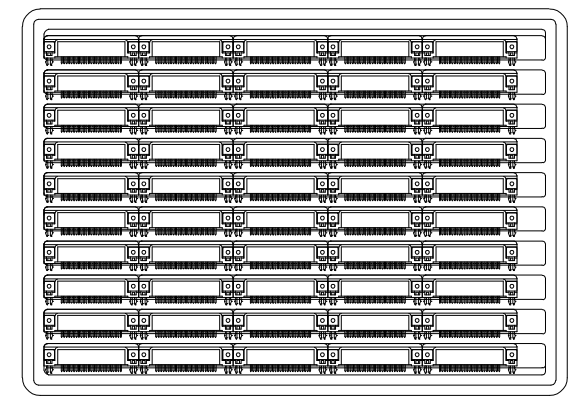
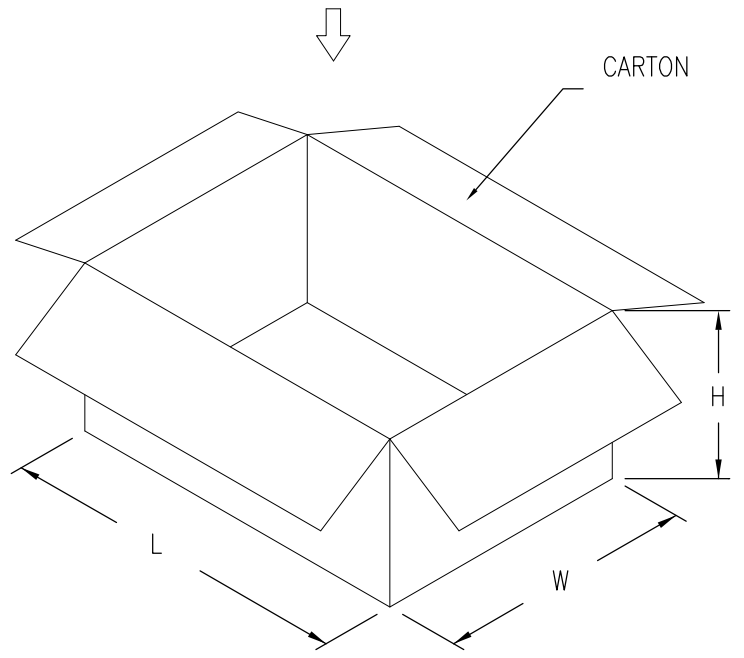
DIMENSIONS: MM	TOLERANCES UNLESS OTHERWISE SPECIFIED:	DWN J. LEE 09MAR2007	TE Connectivity NAME AMPLIMITE 8.08mm[0.318in] SERIES, R/A, RCPT, 25 POS
		CHK S. HOU 09MAR2007	
		APVD W.J. KE 09MAR2007	
		PRODUCT SPEC 108-57541	
		QUALIFICATION TEST REPORT 501-57623	SIZE A3
MATERIAL SEE NOTE	FINISH SEE NOTE	WEIGHT 7.0 GRAMS	CAGE CODE 00779
		CUSTOMER DRAWING	DRAWING NO C=1734350
			RESTRICTED TO
		SCALE	SHEET 1 OF 2
			REV B

THIS DRAWING IS UNPUBLISHED. RELEASED FOR PUBLICATION
 © COPYRIGHT - BY - ALL RIGHTS RESERVED.

LOC		DIST		REVISIONS			
P	LTR	DESCRIPTION		DATE	DWN	APVD	
		SEE SHEET 1.					



- NOTES:
- MATERIAL:
 - TRAY: PVC
 - SHIPPING CARTON: CORRUGATED FIBERBOARD
 - DIMENSION:
 - TRAY: L=306, W=217, H=15
 - SHIPPING CARTON: L=440, W=321, H=210
 - QUANTITY:
 - PRIMARY PACKING: 50 PCS/TRAY
 - THIRD PACKING: 20 TRAY/CARTON(1,000PCS)
 - WEIGHT:
 - NET WEIGHT: 7.0 Kg
 - GROSS WEIGHT: 8.0 Kg



THIS DRAWING IS A CONTROLLED DOCUMENT.		DWN	-		
		CHK	-		
		APVD	-		NAME
DIMENSIONS:		TOLERANCES UNLESS OTHERWISE SPECIFIED:		PRODUCT SPEC	
MM				APPLICATION SPEC	
		0 PLC	±	-	SIZE
		1 PLC	±	-	CAGE CODE
		2 PLC	±	-	DRAWING NO
		3 PLC	±	-	RESTRICTED TO
		4 PLC	±	-	
		ANGLES	±	-	
MATERIAL		FINISH		WEIGHT	
				-	
CUSTOMER DRAWING				SCALE	-
				SHEET	2 OF 2
				REV	B

TE TE Connectivity

AMPLIMITE 8.08mm[0.318in] SERIES,
R/A, RCPT, 25 POS

A3 00779 C=1734350

X-ON Electronics

Largest Supplier of Electrical and Electronic Components

Click to view similar products for [D-Sub Standard Connectors](#) category:

Click to view products by [TE Connectivity](#) manufacturer:

Other Similar products are found below :

[DCM37S732N](#) [DAM15P500](#) [DEV09S364GTLF](#) [DEM09P032N](#) [DDM50P732N](#) [DAM15S332N](#) [173109-2218](#) [173109-2466](#) [173109-2469](#)
[173109-2435](#) [56F706-005-LI](#) [56F711-015](#) [015-0341-000](#) [017041-0005](#) [012-9507-114](#) [012-9534-001](#) [609-25P](#) [M24308/2-23Z](#) [M243082310F](#)
[M24308/2-36Z](#) [M243082411F](#) [M24308315F](#) [M24308/4-21](#) [M243084437F](#) [CT0M22-23SS](#) [CT1N36-5SC](#) [CT2-16S-17PS](#) [CT2-20-15PCAU](#)
[CT2-24-12PS](#) [CT2-24-28PSF127A206](#) [CT6F9767-14-4-14S-5PC](#) [CT7-18-10SC](#) [CT7-18-10SCAU](#) [CT7-18-12SCAU](#) [CT7-18-1PC](#) [CT7-18-](#)
[1PCAU](#) [CT7-18-1SC](#) [CT7-18-21SCAU](#) [CT9-16-12PS](#) [M83513/01-FC](#) [M83723/76W24619 L/C](#) [M85049/48-3-2F](#) [69001-865](#)
[6STD09PCM99B70X](#) [6STD09SCM99B30X](#) [6STD09SCT99S40X](#) [6STD15PCT99S40X](#) [6STD15SCM99B30X](#) [6STD15SCT99S40X](#)
[6STF09PCM05B70X](#)