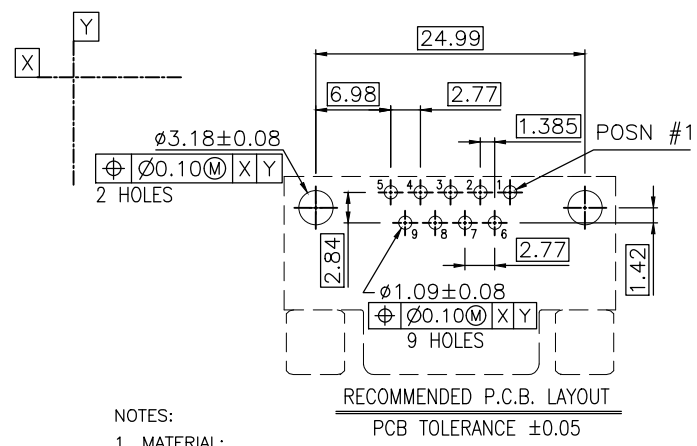
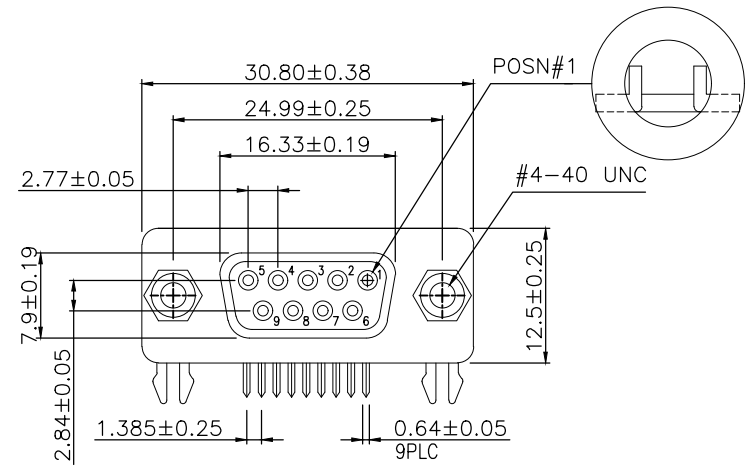
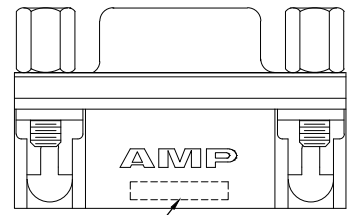
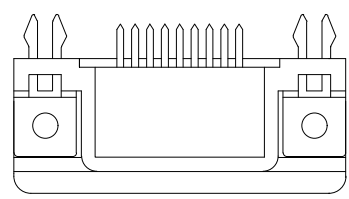
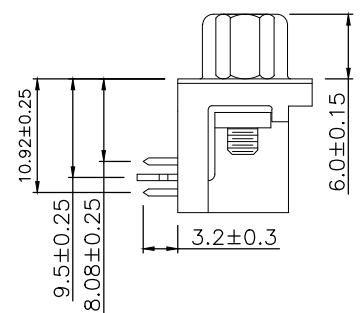
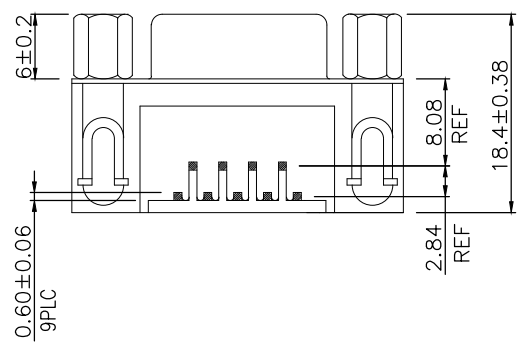


THIS DRAWING IS UNPUBLISHED. RELEASED FOR PUBLICATION
 © COPYRIGHT BY ALL RIGHTS RESERVED.

LOC		DIST		REVISIONS				
P	LTR	DESCRIPTION			DATE	DWN	APVD	
DW	-	B	REVISED PER ECO-17-013750			16FEB2018	AP	DG



- NOTES:
- MATERIAL:
 - HOUSING: NY9T WITH 30% G.F. UL 94V-0, COLOR: BLACK
 - CONTACTS: PHOSPHOR BRONZE
 - SHELL: SPCC
 - BOARDLOCKS: BRASS
 - RIVET: BRASS
 - SCREWLOCKS: BRASS, THREAD LENGTH OF SCREW: 6.0 MIN.
 - FINISH:
 - CONTACT: GOLD PLATING ON CONTACT AREA. (SEE TABLE) 2.54µm[100µ"] MIN. MATTE-TIN PLATING ON SOLDER TAIL, 1.27µm[50µ"] MIN. NICKEL UNDERPLATED ON ENTIRE CONTACT.
 - BOARDLOCK: 2.54µm[100µ"] MIN. MATTE-TIN PLATING OVER 1.27µm[50µ"] MIN. NICKEL UNDERPLATED ON ENTIRE CONTACT.
 - SHELL: NICKEL PLATED
 - RIVET: NICKEL PLATED
 - SCREWLOCKS: NICKEL PLATED
 - NET WEIGHT: 8.9 gram/PC.
 - THREADED INSERTS AND SCREWLOCKS MUST WITHSTAND 6 IN-LBS TORQUE.
 - DAET CODE: YYWW
 - REFLOW SOLDER CAPABLE TO 260°C PER TE CONNECTIVITY SPEC. 109-201, CONDITION B.

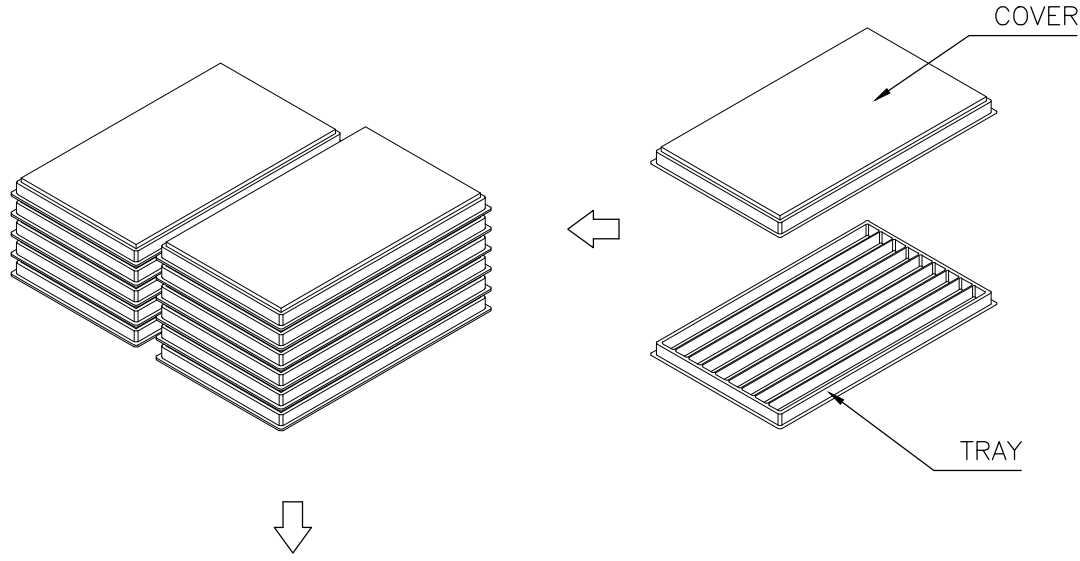


SUPERSEDED BY 2311765-2	0.38um[15u"]	1734354-2
SUPERSEDED BY 2311765-1	GOLD-FLASH	1734354-1
	CONTACT FINISH MIN.	PART NO.

THIS DRAWING IS A CONTROLLED DOCUMENT.		DWN	J. LEE	17NOV2006			
DIMENSIONS: MM		CHK	S. HOU	17NOV2006			
TOLERANCES UNLESS OTHERWISE SPECIFIED:		APVD	W.J. KE	17NOV2006	NAME		
0 PLC ±	±	PRODUCT SPEC		RECEPTACLE ASSEMBLY, 9 POSN, RIGHT ANGLE, 8.08mm[0.318in] SERIES, AMPLIMITE, WITH SCREWLOCKS			
1 PLC ±0.38		QUALIFICATION TEST REPORT		SIZE			
2 PLC ±0.25		501-57623		CAGE CODE			
3 PLC ±0.15		WEIGHT		DRAWING NO			
4 PLC ±		SEE NOTE		RESTRICTED TO			
4 ANGLES ±		CUSTOMER DRAWING		SCALE			
MATERIAL SEE NOTE	FINISH SEE NOTE	A3		00779		C=1734354	
		SHEET		1 OF 2		REV B	

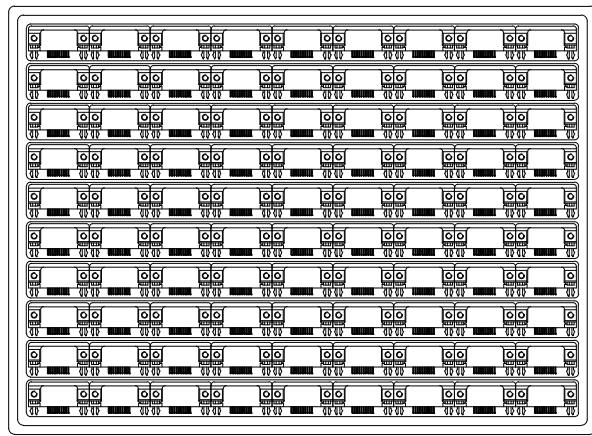
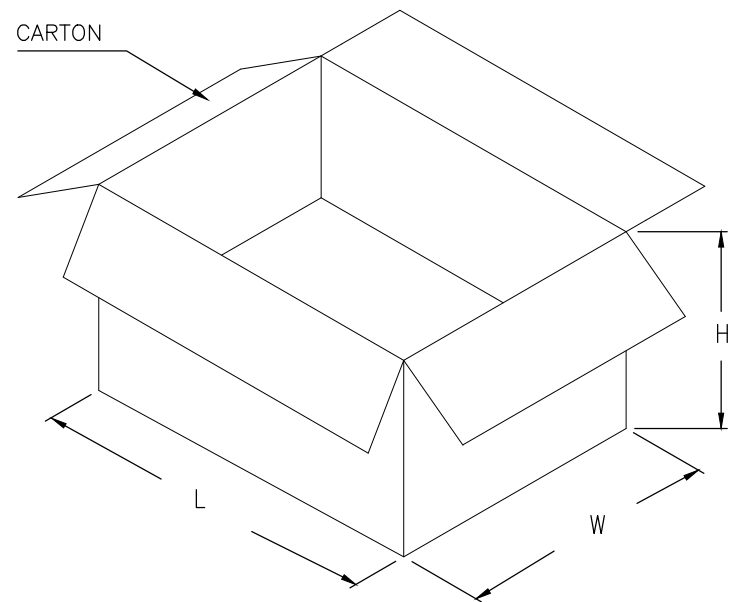
THIS DRAWING IS UNPUBLISHED. RELEASED FOR PUBLICATION
 © COPYRIGHT - BY - ALL RIGHTS RESERVED.


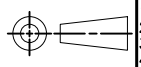
LOC	DIST	REVISIONS				
P	LTR	DESCRIPTION	DATE	DWN	APVD	
-	-	SEE SHEET 1.	-	-	-	



NOTES:

1. MATERIAL:
 - 1.1 TRAY: PVC
 - 1.2 SHIPPING CARTON: CORRUGATED FIBERBOARD
2. DIMENSION:
 - 2.1 TRAY: L=306, W=217, H=15.8
 - 2.2 SHIPPING CARTON: L=440, W=321, H=153
3. QUANTITY:
 - 3.1 PRIMARY PACKING: 90 PCS/TRAY
 - 3.2 SECONARY PACKING: 11 TRAY/CARTON(990PCS)
4. CARTON WEIGHT:
 - 4.1 NET WEIGHT: 8.9 KG
 - 4.2 GROSS WEIGHT: 9.9 KG



THIS DRAWING IS A CONTROLLED DOCUMENT.		DWN J. LEE 17NOV2006	 TE Connectivity	NAME RECEPTACLE ASSEMBLY, 9 POSN, RIGHT ANGLE, 8.08mm[0.318in] SERIES, AMPLIMITE, WITH SCREWLOCKS
DIMENSIONS: MM 		CHK S. HOU 17NOV2006		
TOLERANCES UNLESS OTHERWISE SPECIFIED: 0 PLC ± - 1 PLC ± - 2 PLC ± - 3 PLC ± - 4 PLC ± - ANGLES ± - FINISH -		APVD W.J. KE 17NOV2006	DRAWING NO C=1734354	RESTRICTED TO -
MATERIAL		PRODUCT SPEC -	CAGE CODE 00779	SCALE -
		APPLICATION SPEC -	WEIGHT -	SHEET 2 OF 2
		CUSTOMER DRAWING		REV B

X-ON Electronics

Largest Supplier of Electrical and Electronic Components

Click to view similar products for [D-Sub Standard Connectors](#) category:

Click to view products by [TE Connectivity](#) manufacturer:

Other Similar products are found below :

[56F711-015](#) [012-9507-004](#) [LV242999-142T12](#) [015-0341-000](#) [015-0349-000](#) [015-0372-005](#) [015-0372-008](#) [015-8755-001](#) [020419-0104](#) [012-0467-000](#) [012-0515-000](#) [012-9507-034](#) [012-9507-114](#) [020745-0008](#) [609-25P](#) [M24308/2-23Z](#) [CT2-14S-2PCA34](#) [CT2-18-11PCAU](#) [CT2-36-15SC](#) [CT6-14S-2SC](#) [CT6E14SA7SC](#) [CT6E22-14PC](#) [CT6E22-14PS](#) [CT6E22-22PS](#) [M83513/01-FC](#) [M85049/48-3-2F](#) [6STD09PCM99B70X](#) [6STD09SCM99B30X](#) [6STD09SCT99S40X](#) [6STD15PCT99S40X](#) [6STD15SCM99B30X](#) [6STD15SCT99S40X](#) [6STF09PCM05B70X](#) [7-135760-9](#) [MC11E-10-6SN](#) [747552-3](#) [MD1-21PS](#) [MDM-15SCBRM7-F222](#) [MDM96517-699](#) [MDM96521-744](#) [MDVB1-21SL1](#) [MIK0-1-7SH003](#) [MIKQ6-7SH076](#) [MIKQ7-7PH077](#) [MIKQ7-7PH11](#) [MIKQ7-7PH32](#) [MIKQ9-7PH003](#) [MJSV-28SL61](#) [MKJ4A1F14-55S](#) [8-135760-3](#)