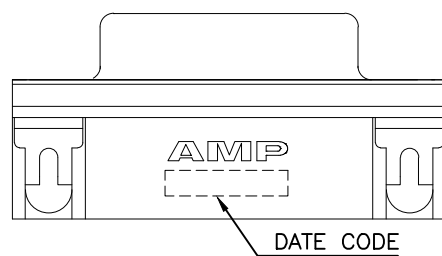
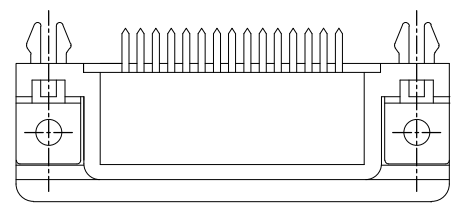
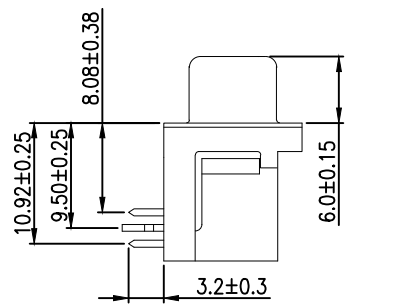
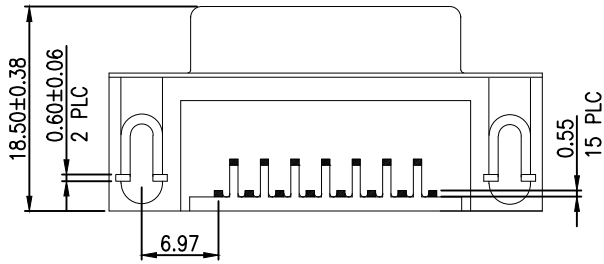
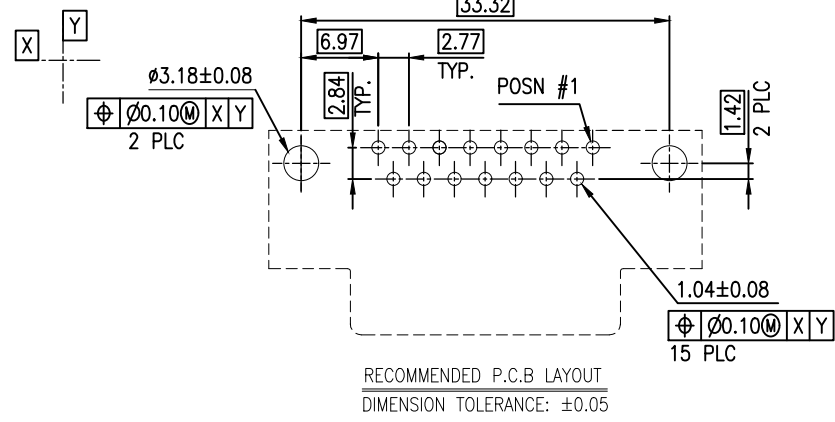
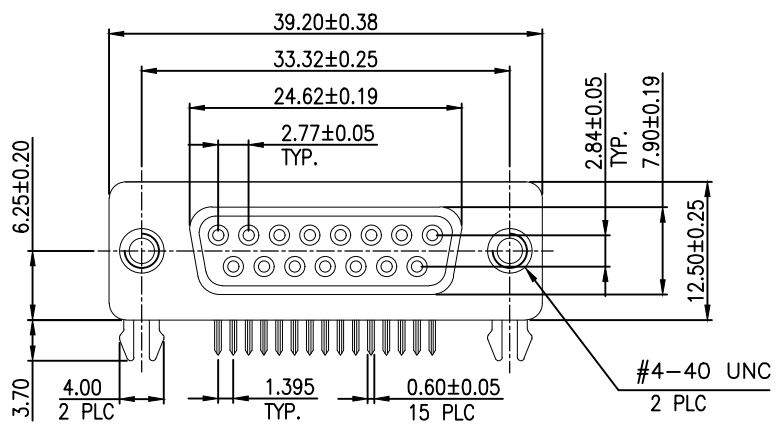


THIS DRAWING IS UNPUBLISHED. RELEASED FOR PUBLICATION AUG, 2006.
 © COPYRIGHT - BY TYCO ELECTRONICS CORPORATION. ALL RIGHTS RESERVED.

LOC		DIST		REVISIONS			
P	LTR	DESCRIPTION		DATE	DWN	APVD	
	D	REVISED PER ECO-17-013750		16FEB2018	AP	DG	



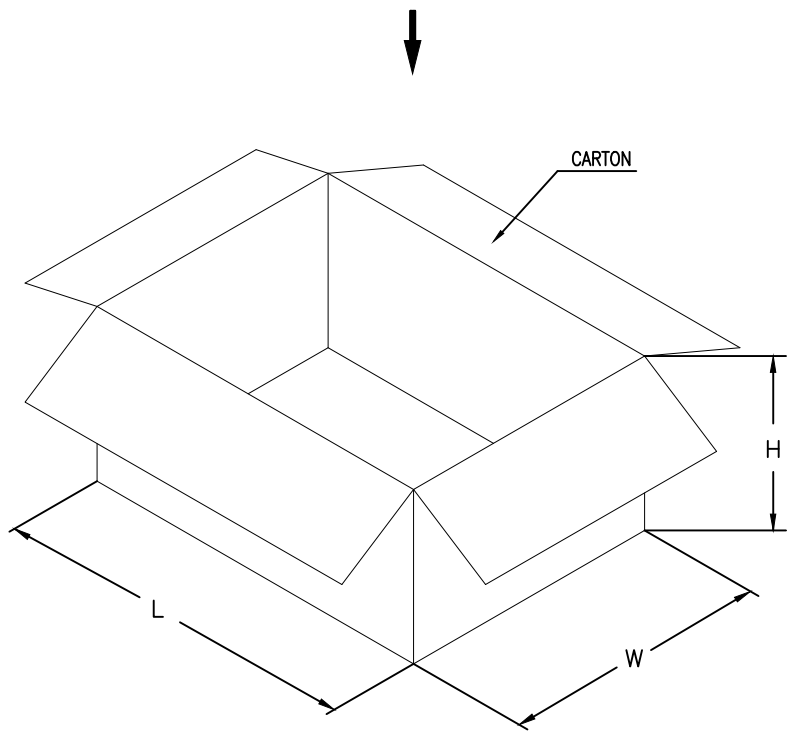
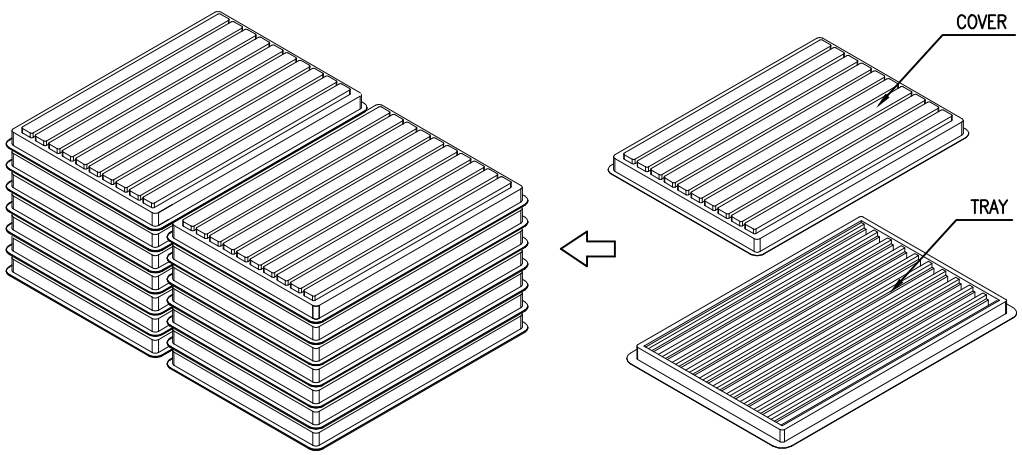
- NOTES:
- MATERIAL:
 - HOUSING: THERMOPLASTIC(PBT)
UL 94V-0, COLOR: BLACK
 - CONTACTS: PHOSPHOR BRONZE
 - SHELL: SPCC
 - BOARDLOCKS: BRASS
 - RIVET: BRASS
 - FINISH:
 - CONTACT:
GOLD PLATING ON CONTACT AREA. (SEE TABLE)
2.54um[100u"] MIN. MATTE TIN PLATING ON SOLDER TAIL AREA
1.27um[50u"] MIN. NICKEL UNDERPLATED OVERALL
 - BOARDLOCK:
2.54um[100u"] MIN MATTE TIN PLATING ON
1.27um[50u"] MIN NICKEL UNDERPLATED OVERALL
 - SHELL: 1.27um[50u"] MIN. NICKEL PLATED
 - RIVET: 1.27um[50u"] MIN. NICKEL PLATED
 - NET WEIGHT: 10.7 gram/pc.
 - WAVE SOLDER CAPABLE TO 265°C
PER TE SPEC. 109-202, CONDITION B
 - DATE CODE: YYWW

OBSOLETE	15u"	1734355-2
SUPERSEDED BY 2311767-1	G/F	1734355-1
	GOLD FLASH	PART NO.

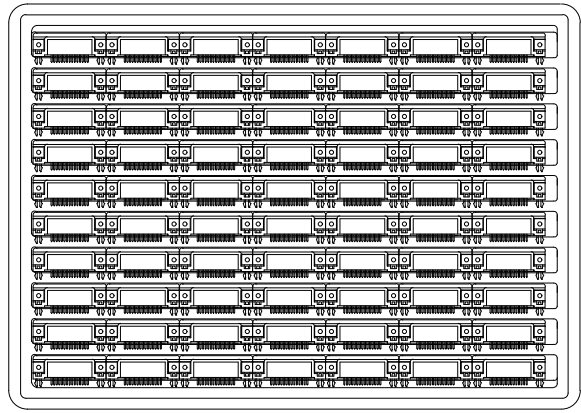
THIS DRAWING IS A CONTROLLED DOCUMENT.		DWN J. LEE 09-MAY-2006	TE Connectivity RECEPTACLE ASSEMBLY, 15 POSN RIGHT ANGLE, 8.08mm[0.318in] SERIES, AMPLIMITE	
DIMENSIONS: MM		CHK S. HOU 09-MAY-2006		
TOLERANCES UNLESS OTHERWISE SPECIFIED:		APVD W.J. KE 09-MAY-2006	NAME	
0 PLC ± 0.5 1 PLC ± 0.3 2 PLC ± 0.2 3 PLC ± 0.15 4 PLC ± - ANGLES ± 3°		PRODUCT SPEC 108-57541	SIZE	
MATERIAL SEE NOTE		QUALIFICATION TEST REPORT 501-57623	CAGE CODE A3 00779	DRAWING NO C=1734355
FINISH SEE NOTE		WEIGHT SEE NOTES	RESTRICTED TO	
CUSTOMER DRAWING			SCALE	SHEET 1 OF 2

THIS DRAWING IS UNPUBLISHED. RELEASED FOR PUBLICATION AUG ,2006.
 © COPYRIGHT BY TYCO ELECTRONICS CORPORATION. ALL RIGHTS RESERVED.

LOC	DIST	REVISIONS					
DW		P	LTR	DESCRIPTION	DATE	DWN	APVD
				SEE SHEET 1.			



- NOTES:
- MATERIAL:
 - 1.1 TRAY: PVC
 - 1.2 SHIPPING CARTON: CORRUGATED FIBERBOARD
 - DIMENSION:
 - 2.1 TRAY: L=306, W=217, H=15
 - 2.2 SHIPPING CARTON: L=440, W=321, H=170
 - QUANTITY:
 - 3.1 PRIMARY PACKING: 70 PCS/TRAY
 - 3.2 SECONDARY PACKING: 14 TRAY/CARTON(980PCS)
 - CARTON WEIGHT:
 - 4.1 NET WEIGHT: 10.5 KG
 - 4.2 GROSS WEIGHT: 11.5 KG



THIS DRAWING IS A CONTROLLED DOCUMENT.		DWN																						
<table border="1"> <tr> <th>DIMENSIONS:</th> <th>TOLERANCES UNLESS OTHERWISE SPECIFIED:</th> </tr> <tr> <td>MM</td> <td></td> </tr> <tr> <td>0 PLC</td> <td>± -</td> </tr> <tr> <td>1 PLC</td> <td>± -</td> </tr> <tr> <td>2 PLC</td> <td>± -</td> </tr> <tr> <td>3 PLC</td> <td>± -</td> </tr> <tr> <td>4 PLC</td> <td>± -</td> </tr> <tr> <td>ANGLES</td> <td>± -</td> </tr> <tr> <th>MATERIAL</th> <th>FINISH</th> </tr> <tr> <td>-</td> <td>-</td> </tr> </table>		DIMENSIONS:			TOLERANCES UNLESS OTHERWISE SPECIFIED:	MM		0 PLC	± -	1 PLC	± -	2 PLC	± -	3 PLC	± -	4 PLC	± -	ANGLES	± -	MATERIAL	FINISH	-	-	CHK
DIMENSIONS:	TOLERANCES UNLESS OTHERWISE SPECIFIED:																							
MM																								
0 PLC	± -																							
1 PLC	± -																							
2 PLC	± -																							
3 PLC	± -																							
4 PLC	± -																							
ANGLES	± -																							
MATERIAL	FINISH																							
-	-																							
		APVD	RECEPTACLE ASSEMBLY, 15 POSN RIGHT ANGLE, 8.08mm[0.318in] SERIES, AMPLIMITE																					
MATERIAL		PRODUCT SPEC	SIZE	CAGE CODE	DRAWING NO	RESTRICTED TO																		
-		APPLICATION SPEC	A3	00779	C=1734355	-																		
-		WEIGHT	CUSTOMER DRAWING		SCALE	SHEET 2 OF 2																		
-						REV D																		

X-ON Electronics

Largest Supplier of Electrical and Electronic Components

Click to view similar products for [D-Sub Standard Connectors](#) category:

Click to view products by [TE Connectivity](#) manufacturer:

Other Similar products are found below :

[56F711-015](#) [012-9507-004](#) [LV242999-142T12](#) [015-0341-000](#) [015-0372-005](#) [015-0372-008](#) [015-8755-001](#) [020419-0104](#) [012-0467-000](#) [012-0515-000](#) [012-9507-034](#) [012-9507-114](#) [020745-0008](#) [609-25P](#) [M24308/2-23Z](#) [CT2-14S-2PCA34](#) [CT2-18-11PCAU](#) [CT6-10SL-3SC](#) [CT6-10SL-4SC](#) [CT6-14S-2SC](#) [CT6E14SA7SC](#) [M83513/01-FC](#) [M83723/76W24619 L/C](#) [M85049/48-3-2F](#) [6STD09PCM99B70X](#) [6STD09SCM99B30X](#) [6STD09SCT99S40X](#) [6STD15PCT99S40X](#) [6STD15SCM99B30X](#) [6STD15SCT99S40X](#) [6STF09PCM05B70X](#) [7-135760-9](#) [MC11E-10-6SN](#) [747552-3](#) [MD1-21PS](#) [MDM-15SCBRM7-F222](#) [MDM96517-699](#) [MDM96521-744](#) [MDVB1-21SL1](#) [MIK0-1-7SH003](#) [MIKQ6-7SH076](#) [MIKQ7-7PH077](#) [MIKQ7-7PH11](#) [MIKQ7-7PH32](#) [MJSV-28SL61](#) [MKJ4A1F14-55S](#) [8-135760-3](#) [8STD09PCM99B30X](#) [PG-KV/PV-16-GROM-SEALING](#) [GDA15P](#)