

4

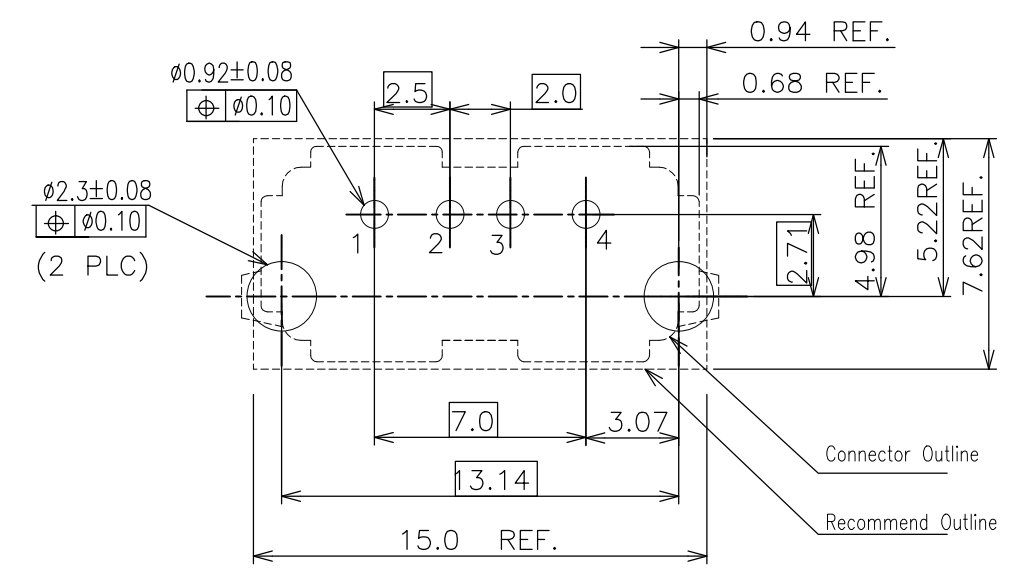
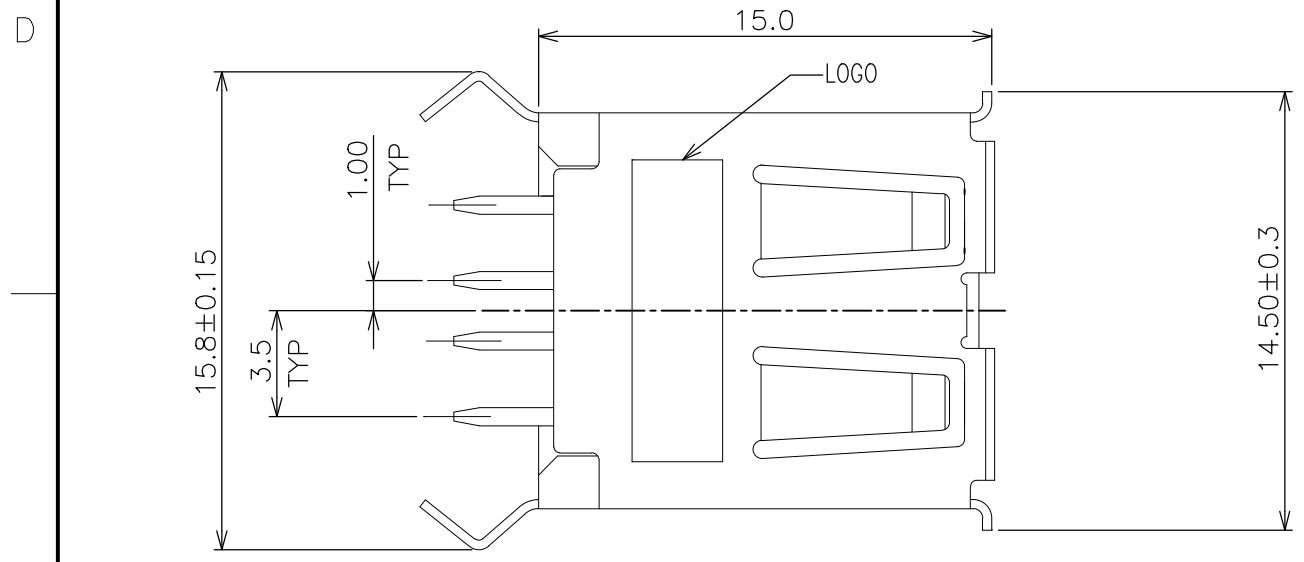
3

2

1

THIS DRAWING IS UNPUBLISHED. RELEASED FOR PUBLICATION  
 © COPYRIGHT BY TYCO ELECTRONICS CORPORATION. ALL RIGHTS RESERVED.

LOC DW	DIST /	REVISIONS			
P	LTR	DESCRIPTION	DATE	DWN	APVD
	C5	REVISED PER E-17-008108	6JUN17	A.X	H.W

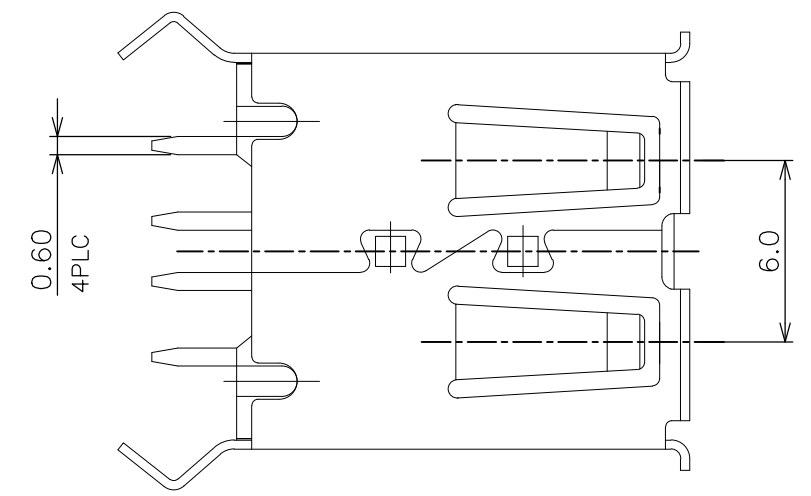
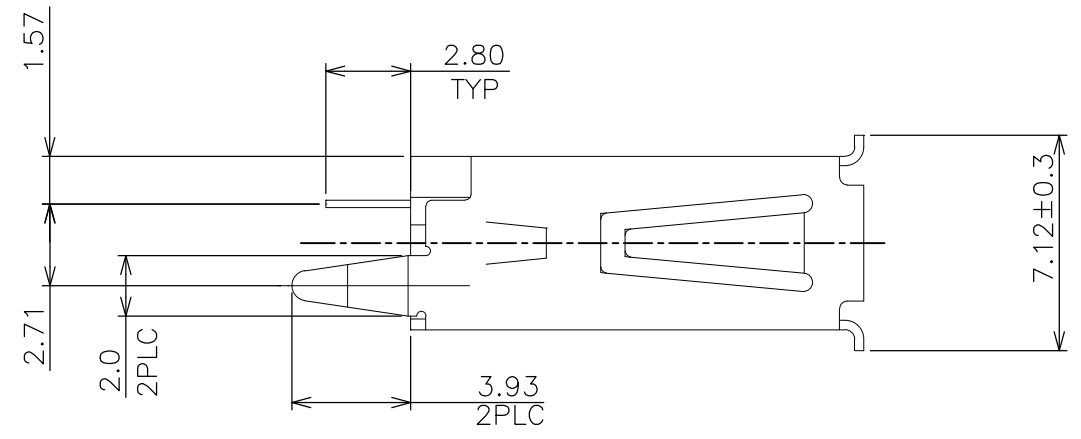
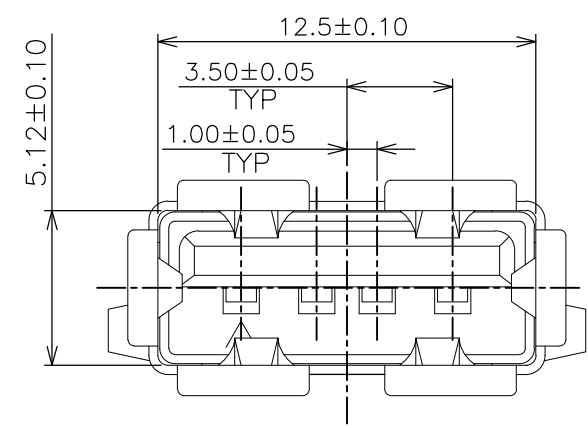


RECOMMENDED P.C. BOARD LAYOUT (T=1.6)

(TOP VIEW) (TOLERANCE: ±0.05)

NOTE:

- MATERIAL:
  - HOUSING: PBT (SOLDER CAPABLE, UL 94-V0, COLOR: SEE TABLE.)
  - HOUSING: PA9T (REFLOW CAPABLE, UL 94-V0, COLOR: SEE TABLE.)
  - CAP: LCP (REFLOW CAPABLE, UL 94-V0, COLOR: BLACK.)
  - BACK STOPPER: PBT (SOLDER CAPABLE, UL 94-V0, COLOR: BLACK.)
  - CONTACT: PHOSPHOR BRONZE, THICKNESS = 0.25mm.
  - SHIELD: BRASS, THICKNESS = 0.30mm.
- FINISH:
  - CONTACT: GOLD FLASH OVER
  - 0.762um [30u"] MIN. PALLADIUM-NICKEL PLATED ON CONTACT
  - 2.54um [100u"] MIN. MATTE-TIN ON SOLDER TAILS,
  - 1.27um [50u"] MIN. NICKEL UNDERPLATED ALL OVER.
  - SHIELD: 2.54um [100u"] MIN. TIN PLATED OVER
  - 1.27um [50u"] MIN. NICKEL UNDERPLATED
  - SHIELD: 0.762-2.03um [30-80u"] SOLDERABLE NICKEL OVER 0.762-2.03um [30-80u"] COPPER

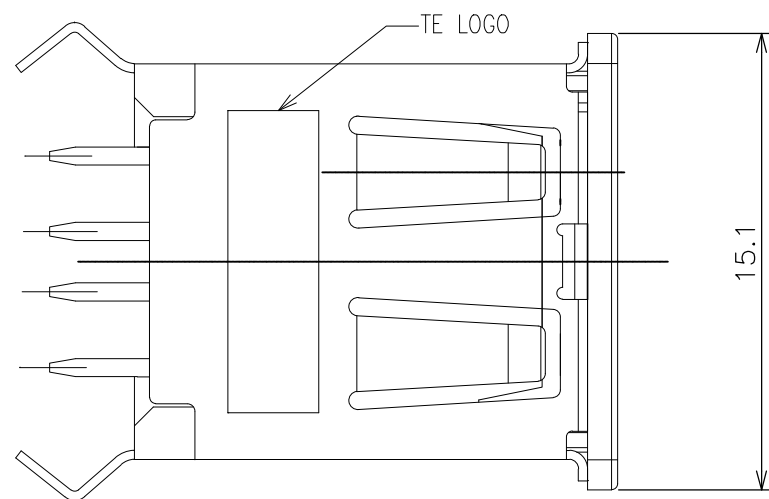


SEE SHEET 4	BLACK	1734366-5	△	△
SEE SHEET 5	BLACK	1734366-4	△	△
	BLUE	1734366-3		
SEE SHEET 4	WHITE	1734366-2	△	△
	BLACK	1734366-1		
PACKING	HSG'S COLOR	PART NUMBER	HOUSING MATERIAL	SHIELD FINISH

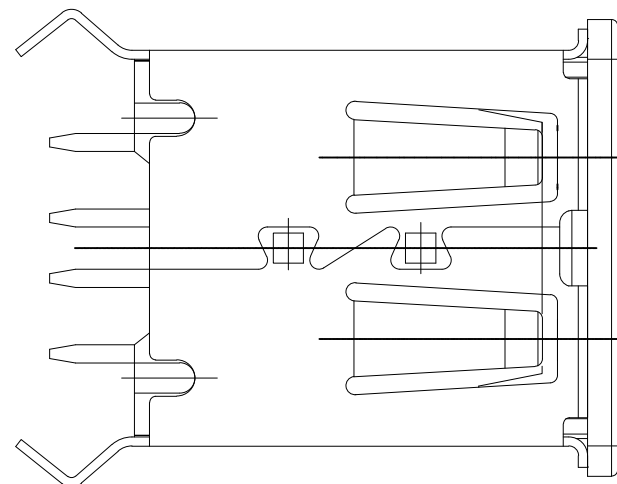
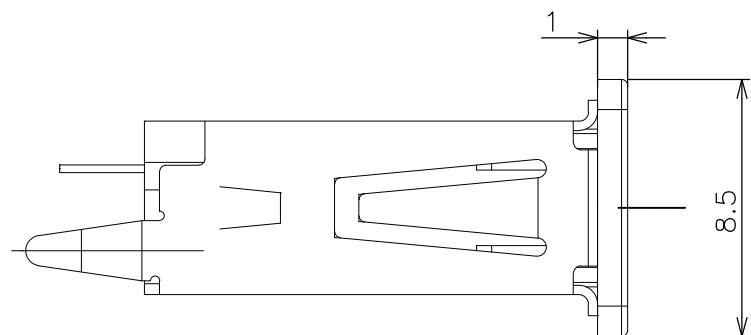
THIS DRAWING IS A CONTROLLED DOCUMENT.		DWN S. CHIEN 19SEP2008	TE Connectivity			
		CHK S. CHIEN 19SEP2008				
		APVD W.KODAMA 19SEP2008	NAME			
DIMENSIONS: mm 		PRODUCT SPEC 108-57547	RECEIPT ASSY, VERTICAL, 4 POSITION THRU-HOLE, TYPE A USB			
TOLERANCES UNLESS OTHERWISE SPECIFIED: 0 PLC ± 0.38 1 PLC ± 0.25 2 PLC ± 0.13 3 PLC ± 0.05 ANGLES ± 2° FINISH SEE NOTE		APPLICATION SPEC 501-57635				
MATERIAL SEE NOTE		WEIGHT 1.82 GRAMS	SIZE A3	CAGE CODE 00779	DRAWING NO C=1734366	RESTRICTED TO
CUSTOMER DRAWING			SCALE -	SHEET 1 OF 6	REV C5	

THIS DRAWING IS UNPUBLISHED. RELEASED FOR PUBLICATION  
 © COPYRIGHT BY TYCO ELECTRONICS CORPORATION. ALL RIGHTS RESERVED.

LOC		DIST		REVISIONS			
P	LTR	DESCRIPTION		DATE	DWN	APVD	



1734366-6 AS SHOW  
 OTHER DIMENSIONS ARE THE SAME AS SHEET1



SEE SHEET 6	BLACK	1734366-6	△	△
PACKING	HSG'S COLOR	PART NUMBER	HOUSING MATERIAL	SHIELD FINISH

THIS DRAWING IS A CONTROLLED DOCUMENT.		DWN				
DIMENSIONS: mm		CHK				
TOLERANCES UNLESS OTHERWISE SPECIFIED:		APVD	NAME			
0 PLC ± 0.38 1 PLC ± 0.25 2 PLC ± 0.13 3 PLC ± 0.05		PRODUCT SPEC	RECEPT ASSY,VERTICAL,4POSITION THRU-HOLE,TYPE A USB			
ANGLES ± 2° FINISH		APPLICATION SPEC	SIZE	CAGE CODE	DRAWING NO	RESTRICTED TO
MATERIAL		WEIGHT	A3	00779	C=1734366	
CUSTOMER DRAWING			SCALE	SHEET	REV	
				2 OF 6	C5	

4

3

2

1

THIS DRAWING IS UNPUBLISHED.

RELEASED FOR PUBLICATION

---

© COPYRIGHT

BY TYCO ELECTRONICS CORPORATION.

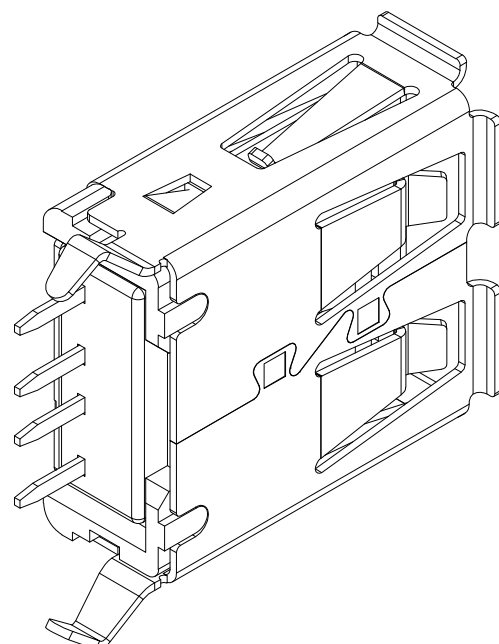
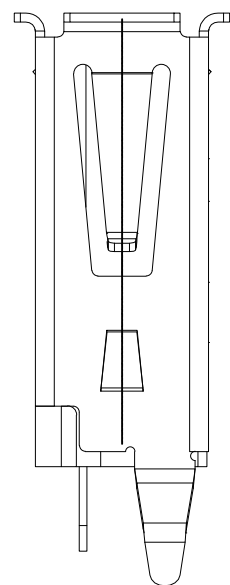
ALL RIGHTS RESERVED.

LOC  
DW

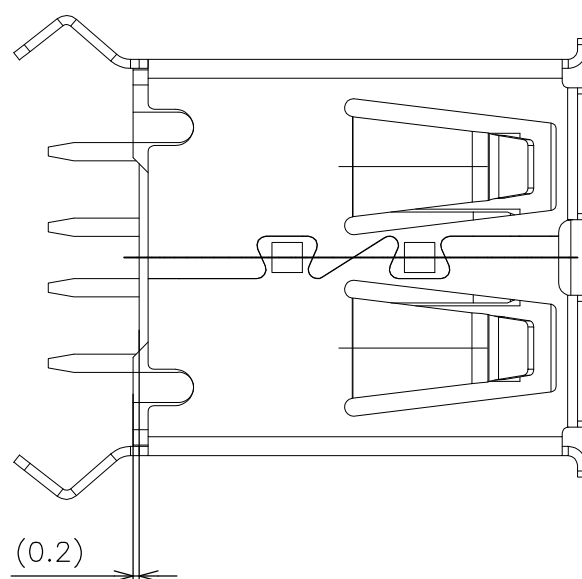
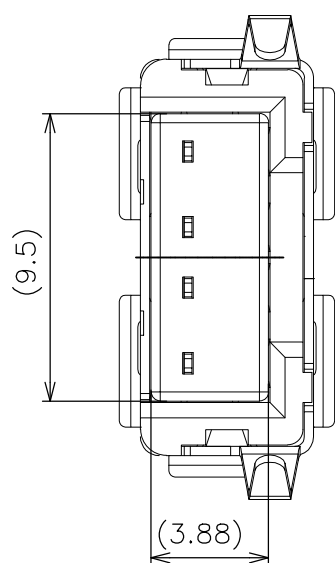
DIST  
/

REVISIONS


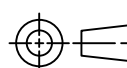
P	LTR	DESCRIPTION	DATE	DWN	APVD



1734366-7 AS SHOW  
OTHER DIMENSIONS ARE THE SAME AS SHEET1

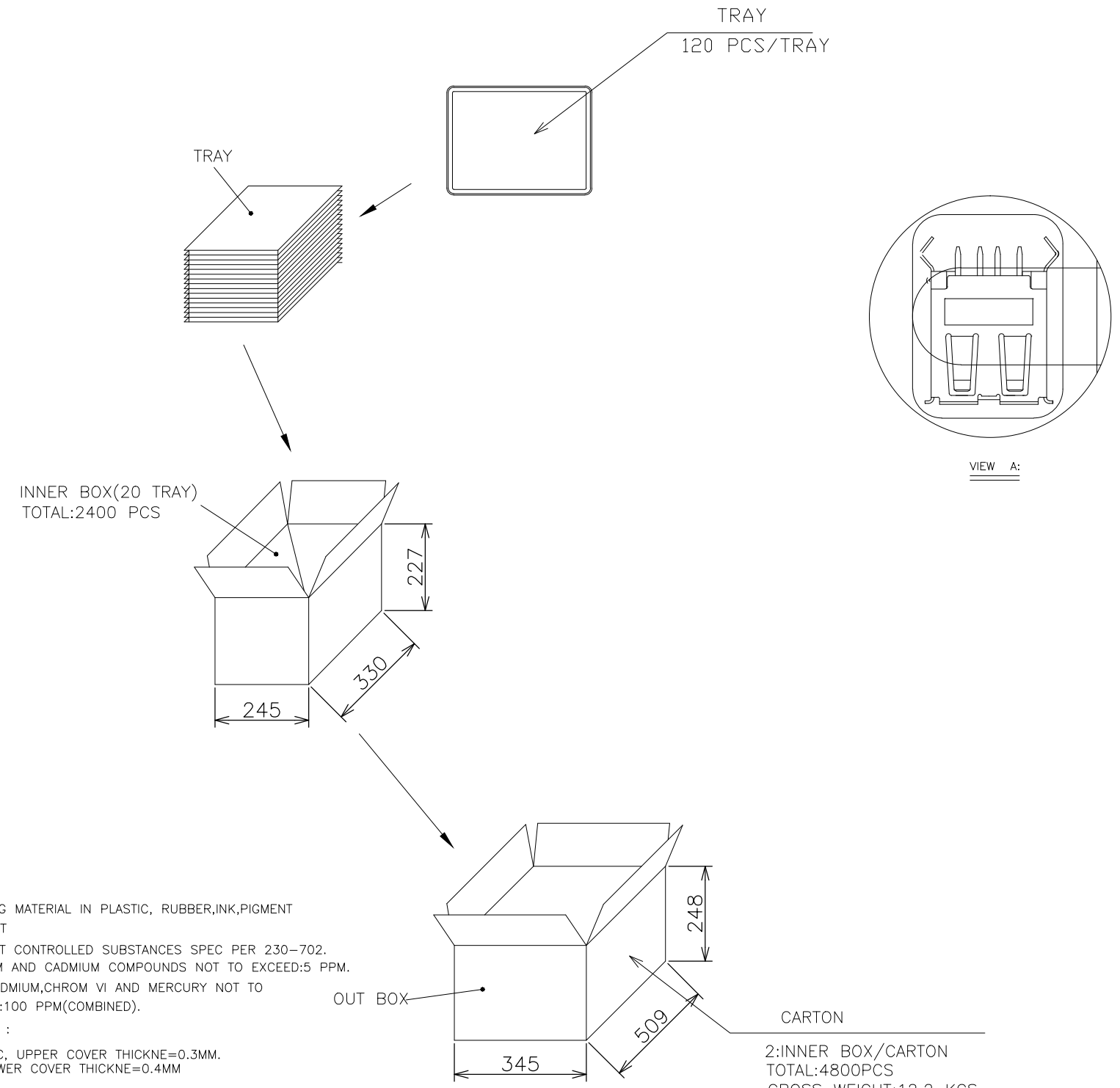


SEE SHEET 4	BLACK	1734366-7	△	△
PACKING	HSG'S COLOR	PART NUMBER	HOUSING MATERIAL	SHIELD FINISH

THIS DRAWING IS A CONTROLLED DOCUMENT.		DWN	 <b>TE Connectivity</b>					
DIMENSIONS: mm		CHK				NAME RECEPT ASSY,VERTICAL,4POSITION THRU-HOLE,TYPE A USB		
		APVD						
TOLERANCES UNLESS OTHERWISE SPECIFIED: 0 PLC ± 0.38 1 PLC ± 0.25 2 PLC ± 0.13 3 PLC ± 0.05 ANGLES ± 2° MATERIAL FINISH		PRODUCT SPEC				SIZE	CAGE CODE	DRAWING NO
MATERIAL		APPLICATION SPEC	A300779		C=1734366	—		
CUSTOMER DRAWING			WEIGHT	SCALE	SHEET	REV		
			—	3 OF 6	C5			

THIS DRAWING IS UNPUBLISHED. RELEASED FOR PUBLICATION  
 © COPYRIGHT BY TYCO ELECTRONICS CORPORATION. ALL RIGHTS RESERVED.

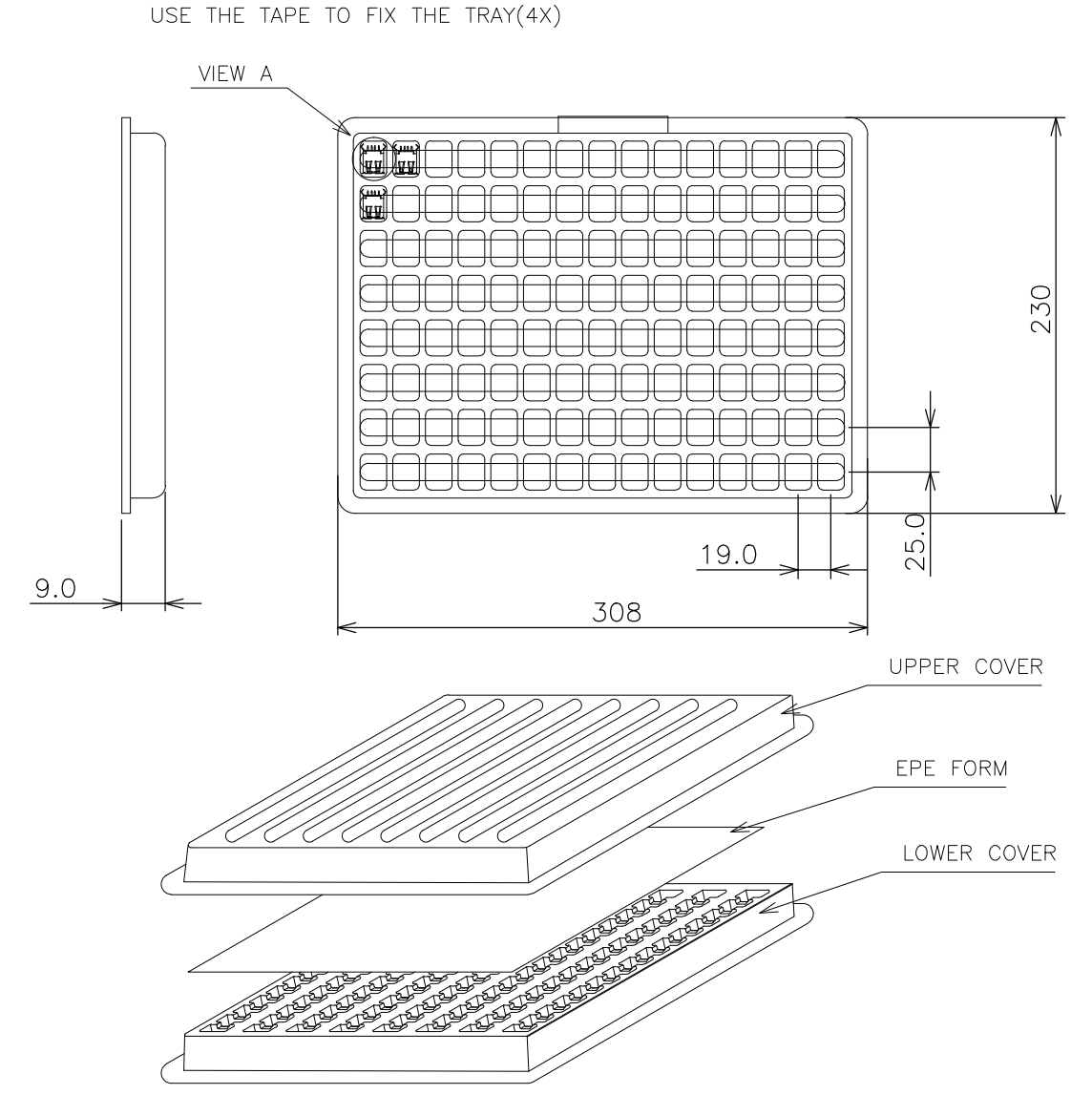
LOC		DIST		REVISIONS		
P	LTR	DESCRIPTION	DATE	DWN	APVD	



NOTE :

- PACKAGING MATERIAL IN PLASTIC, RUBBER,INK,PIGMENT AND PAINT  
 MUST MEET CONTROLLED SUBSTANCES SPEC PER 230-702.  
 \* CADMIUM AND CADMIUM COMPOUNDS NOT TO EXCEED:5 PPM.  
 \* LEAD,CADMIUM,CHROM VI AND MERCURY NOT TO EXCEED:100 PPM(COMBINED).
- MATERIAL :  
 TRAY: PVC, UPPER COVER THICKNE=0.3MM.  
 LOWER COVER THICKNE=0.4MM

2:INNER BOX/CARTON  
 TOTAL:4800PCS  
 GROSS WEIGHT:12.2 KGS  
 NET WEIGHT:11.2 KGS

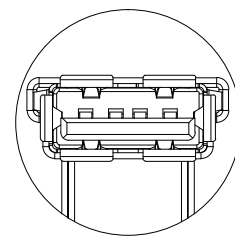
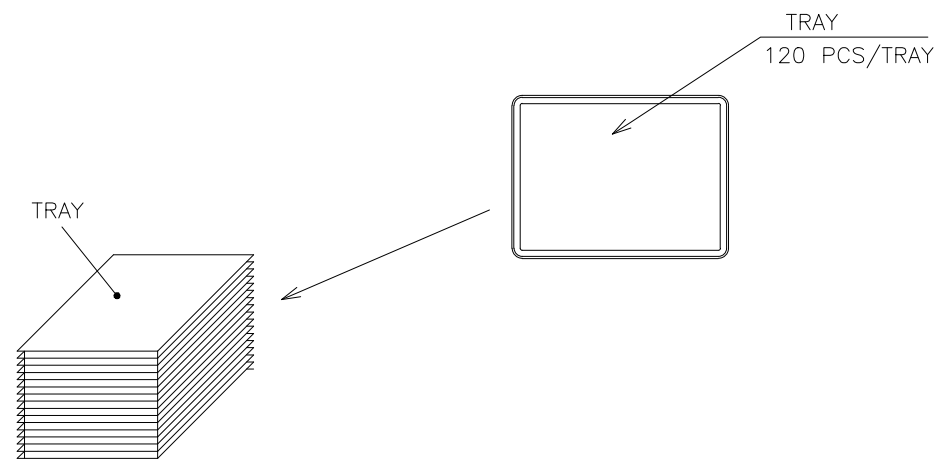


4800	1734366-7
4800	1734366-5
4800	1734366-2
4800	1734366-1
QTY	PART NUMBER

THIS DRAWING IS A CONTROLLED DOCUMENT.		DWN		<b>STE</b> TE Connectivity	
DIMENSIONS: mm		CHK			
TOLERANCES UNLESS OTHERWISE SPECIFIED:		APVD		NAME	
0 PLC ± -		PRODUCT SPEC		RECEIPT ASSY,VERTICAL,4POSITION THRU-HOLE,TYPE A USB	
1 PLC ± 0.3		APPLICATION SPEC			
2 PLC ± 0.2		WEIGHT		SIZE	CAGE CODE
3 PLC ± 0.15		CUSTOMER DRAWING		A3	00779
4 PLC ANGLES ± 3°		SCALE		DRAWING NO	RESTRICTED TO
MATERIAL		SHEET		C=1734366	
FINISH		4 OF 6		REV	C5

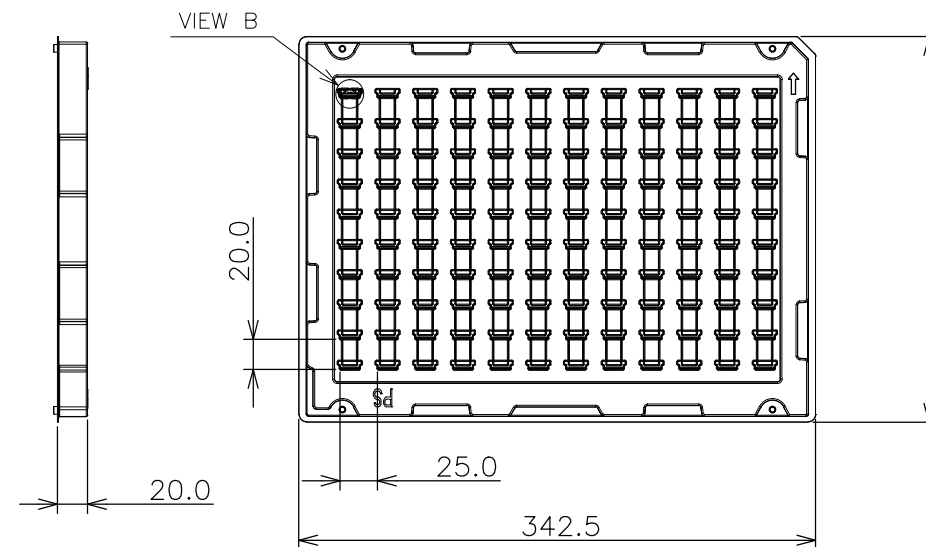
THIS DRAWING IS UNPUBLISHED. RELEASED FOR PUBLICATION  
 © COPYRIGHT BY TYCO ELECTRONICS CORPORATION. ALL RIGHTS RESERVED.

LOC	DIST	REVISIONS			
P	LTR	DESCRIPTION	DATE	DWN	APVD
DW					

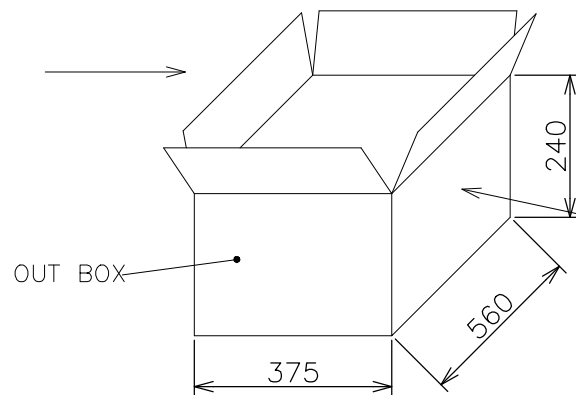
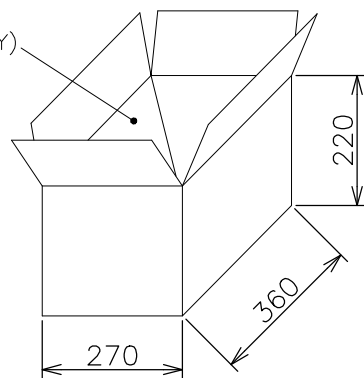


VIEW B:

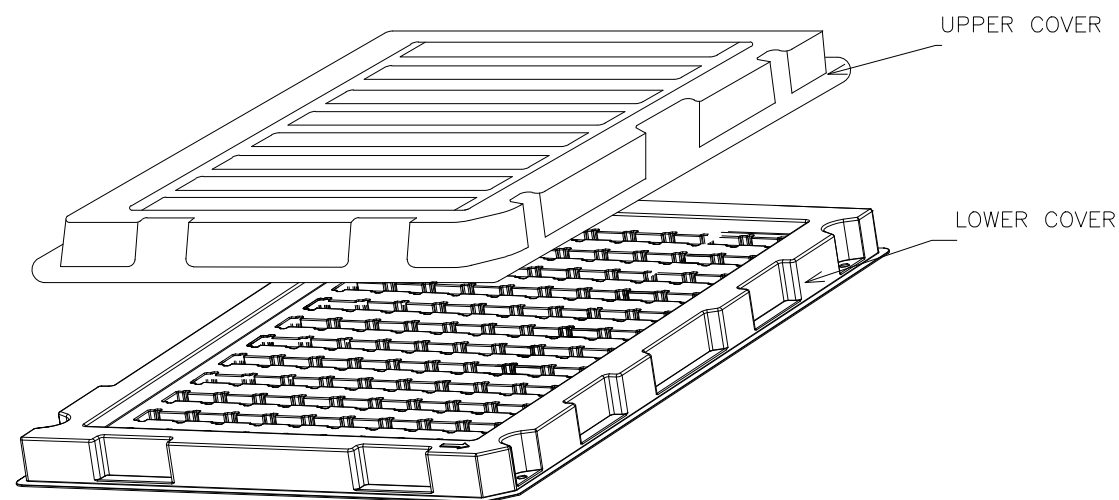
USE THE TAPE TO FIX THE TRAY(4X)



INNER BOX(10 TRAY)  
TOTAL:1200 PCS



CARTON  
20 TRAYS/CARTON  
TOTAL:2400PCS  
GROSS WEIGHT:7.2KGS  
NET WEIGHT:5.6KGS



- NOTE :
- PACKAGING MATERIAL IN PLASTIC, RUBBER,INK,PIGMENT AND PAINT  
MUST MEET CONTROLLED SUBSTANCES SPEC PER 230-702.  
\* CADMIUM AND CADMIUM COMPOUNDS NOT TO EXCEED:5 PPM.  
\* LEAD,CADMIUM,CHROM VI AND MERCURY NOT TO EXCEED:100 PPM(COMBINED).
  - MATERIAL :  
TRAY: PS, UPPER COVER THICKNE=0.5MM.  
LOWER COVER THICKNE=0.7MM

2400	1734366-4
2400	1734366-3
QTY	PART NUMBER

THIS DRAWING IS A CONTROLLED DOCUMENT.		DWN	TE Connectivity		
DIMENSIONS: mm		CHK	RECEIPT ASSY,VERTICAL,4POSITION THRU-HOLE,TYPE A USB		
TOLERANCES UNLESS OTHERWISE SPECIFIED:		APVD	NAME	SIZE CAGE CODE DRAWING NO RESTRICTED TO	
0 PLC ± -		PRODUCT SPEC	A3 00779 C=1734366		
1 PLC ± 0.3		APPLICATION SPEC	SCALE	SHEET	REV
2 PLC ± 0.2		WEIGHT	-	5 of 6	C5
3 PLC ± 0.15		CUSTOMER DRAWING			
4 PLC ± -					
ANGLES ± 3'					
MATERIAL	FINISH				

4

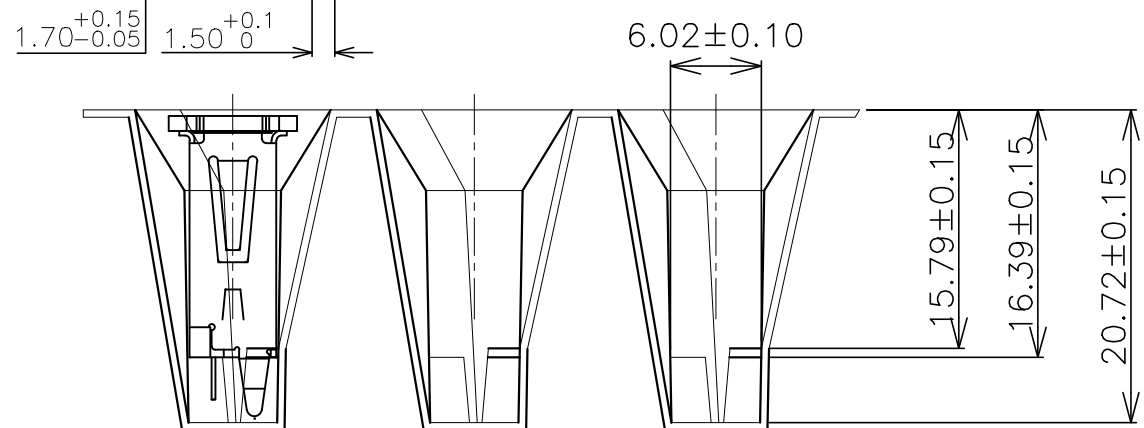
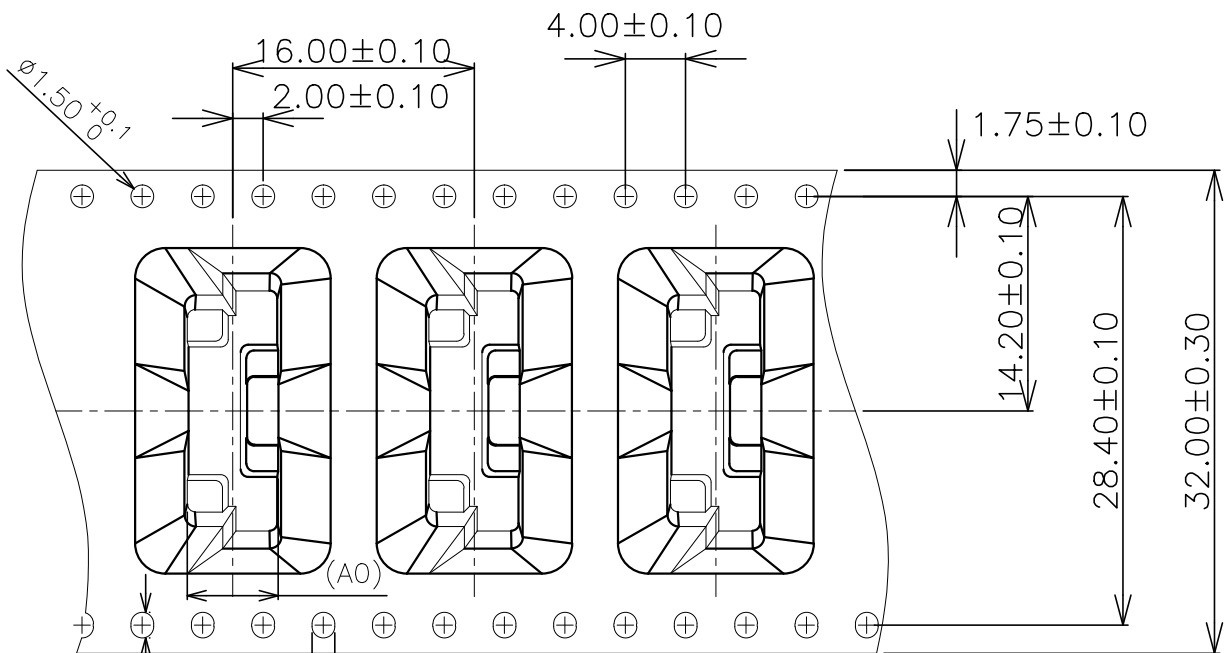
3

2

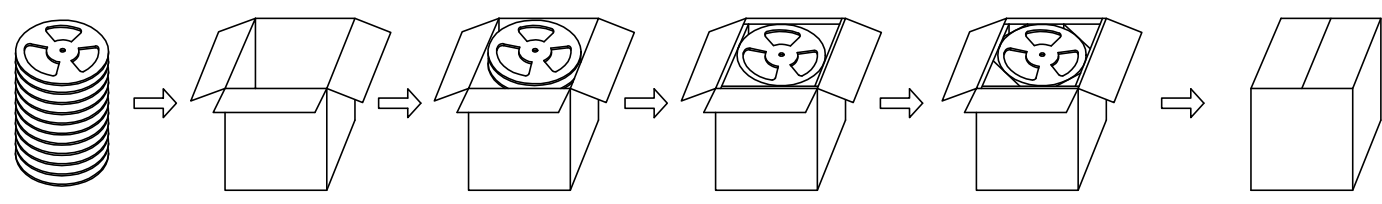
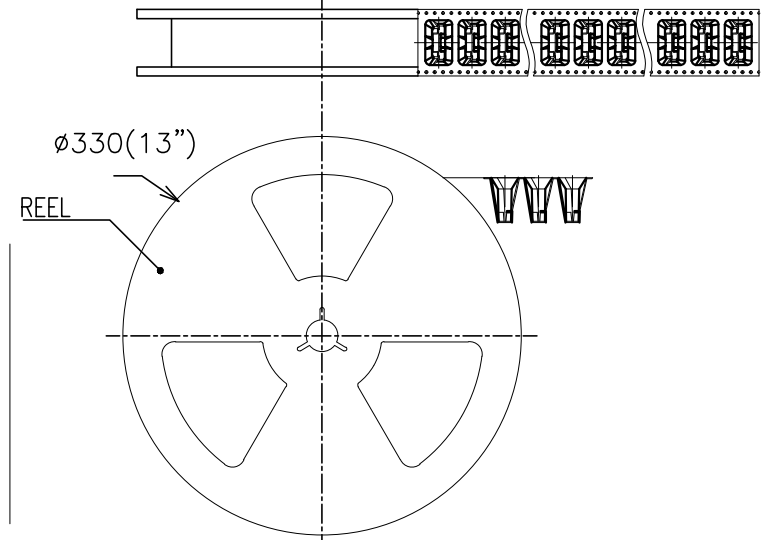
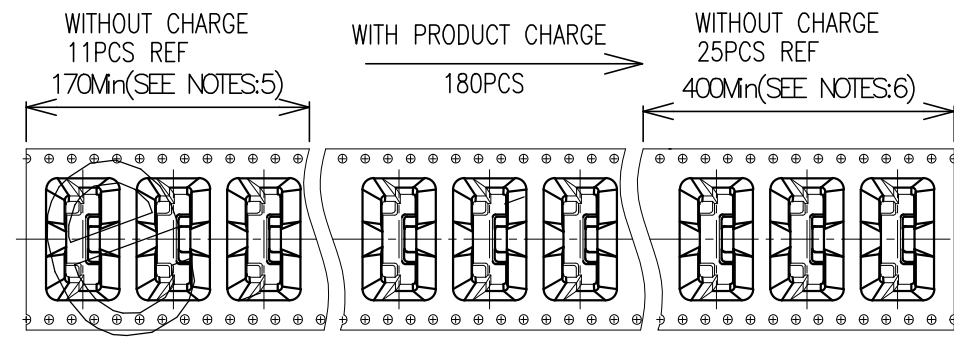
1

THIS DRAWING IS UNPUBLISHED. RELEASED FOR PUBLICATION  
 © COPYRIGHT BY TYCO ELECTRONICS CORPORATION. ALL RIGHTS RESERVED.

LOC		DIST		REVISIONS			
P	LTR	DESCRIPTION	DATE	DWN	APVD		
DW	/						



NOTE :  
 1. PACKAGING MATERIAL IN PLASTIC, RUBBER, INK, PIGMENT AND PAINT  
 MUST MEET CONTROLLED SUBSTANCES SPEC PER 230-702.  
 \* CADMIUM AND CADMIUM COMPOUNDS NOT TO EXCEED:5 PPM.  
 \* LEAD, CADMIUM, CHROM VI AND MERCURY NOT TO EXCEED:100 PPM (COMBINED).  
 2. MATERIAL :  
 REEL: BLACK CONDUCTIVE POLYSTYRENE ALLOY



OUT BOX PACKAGE DIAGRAM DRAWING

1440	1734366-6
QTY	PART NUMBER

THIS DRAWING IS A CONTROLLED DOCUMENT.		DWN	TE Connectivity	
DIMENSIONS: mm		CHK	RECEIPT ASSY, VERTICAL, 4 POSITION THRU-HOLE, TYPE A USB	
TOLERANCES UNLESS OTHERWISE SPECIFIED:		APVD	NAME	RESTRICTED TO
0 PLC ± -		PRODUCT SPEC	SIZE	CAGE CODE
1 PLC ± 0.3		APPLICATION SPEC	DRAWING NO	REV
2 PLC ± 0.2		WEIGHT	A3	00779
3 PLC ± 0.15		CUSTOMER DRAWING	C=1734366	
4 PLC ± -		SCALE	SHEET 6 of 6	
ANGLES ± 3'		REV C5		

## X-ON Electronics

Largest Supplier of Electrical and Electronic Components

*Click to view similar products for [USB Connectors](#) category:*

*Click to view products by [TE Connectivity](#) manufacturer:*

Other Similar products are found below :

[65-647-8-BK-BU](#) [950](#) [952](#) [E8144-B01021-L](#) [A-USB B-TOP-C](#) [MUSBA511N5](#) [MUSBD11135](#) [217450-1](#) [KMBVX-TH-5S-B30](#) [896-30-004-00-000000](#) [KUSBVX-BS1N-W30](#) [KUSBX-AP-KIT-SCBLK](#) [KUSBX-AS2N-W](#) [KUSBX-SMT2AP1S-W](#) [KUSBX-SMT2AP1S-W30](#) [935](#) [957](#) [30-498-6](#) [17-210051](#) [1734082-1](#) [30-1574](#) [30-470](#) [30-489](#) [30-541](#) [30-572-3](#) [A-USB A-2P-C](#) [MIKROE-1451](#) [USBFTV2PEM2G](#) [USBFTVC6ZN](#) [KUSBX-AS2N-W30](#) [KUSBX-SLAS1N-W](#) [KUSBX-SMT-AS1N-W30](#) [4689-1](#) [1-1734084-2](#) [E8110-001-01](#) [33UBARS1-04SW11](#) [33UBAR-04SW11](#) [USBF21ZNSCC](#) [USBBFTV6ZC](#) [10135326-001LF](#) [USB-A-S-F-B-VT](#) [925](#) [4198](#) [690-024-633-031](#) [KUSBEX-BSFS1N-W](#) [USBFTVC6MRG](#) [UA-20BMFA-SL8001](#) [17-250101](#) [USBFTVC7ZC](#) [USBFTV75NF459](#)