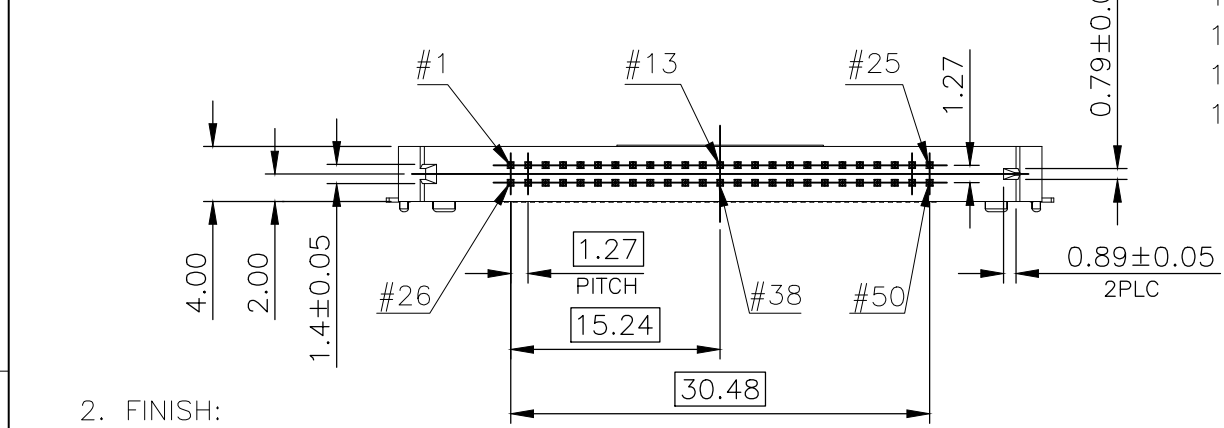
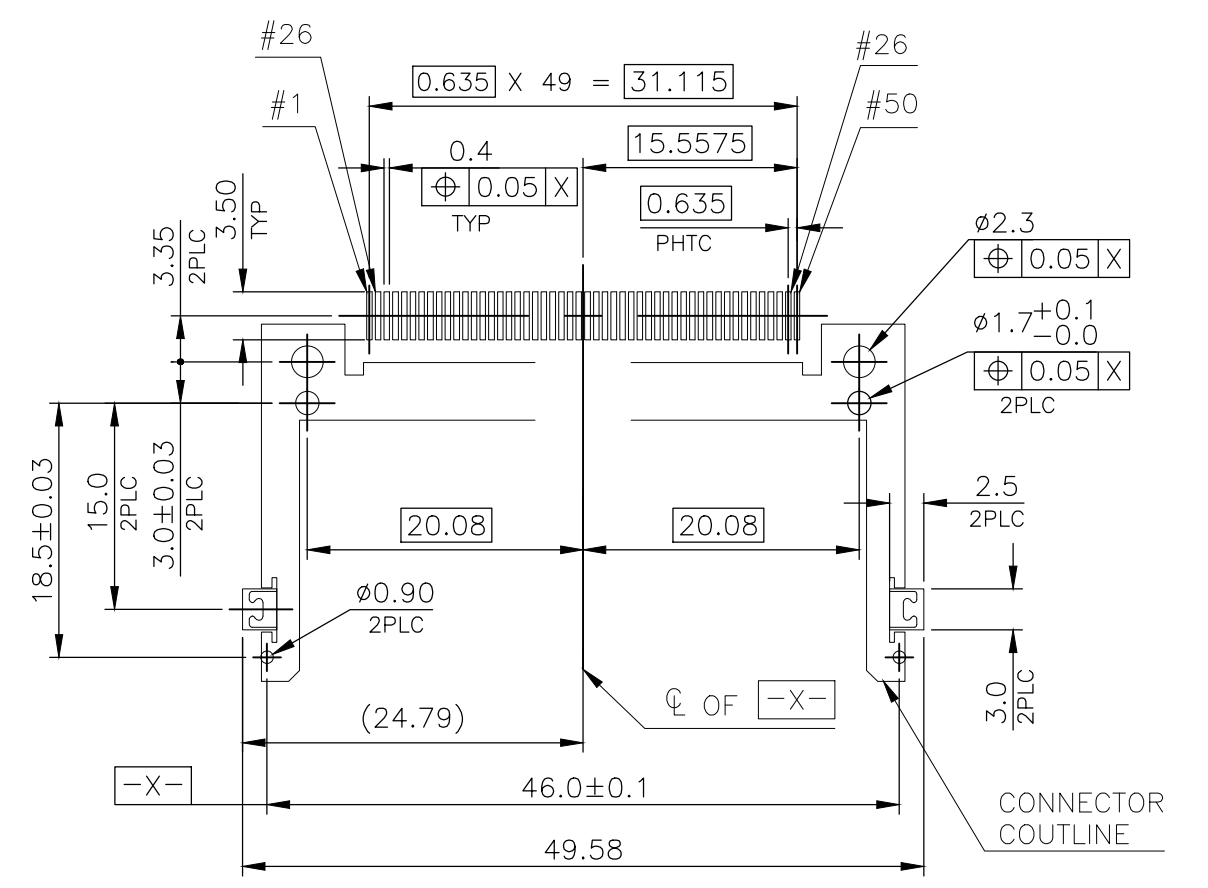
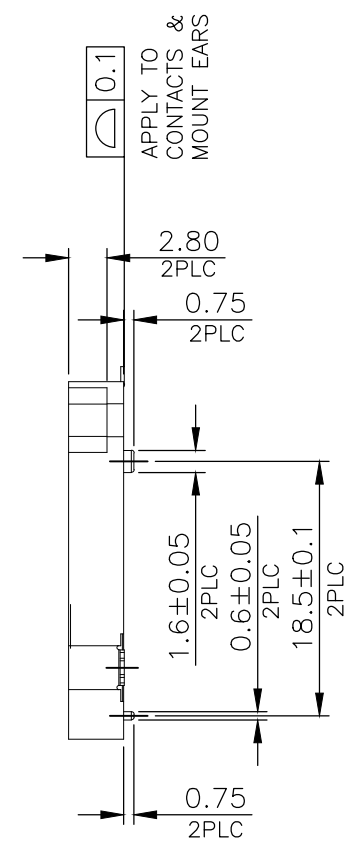
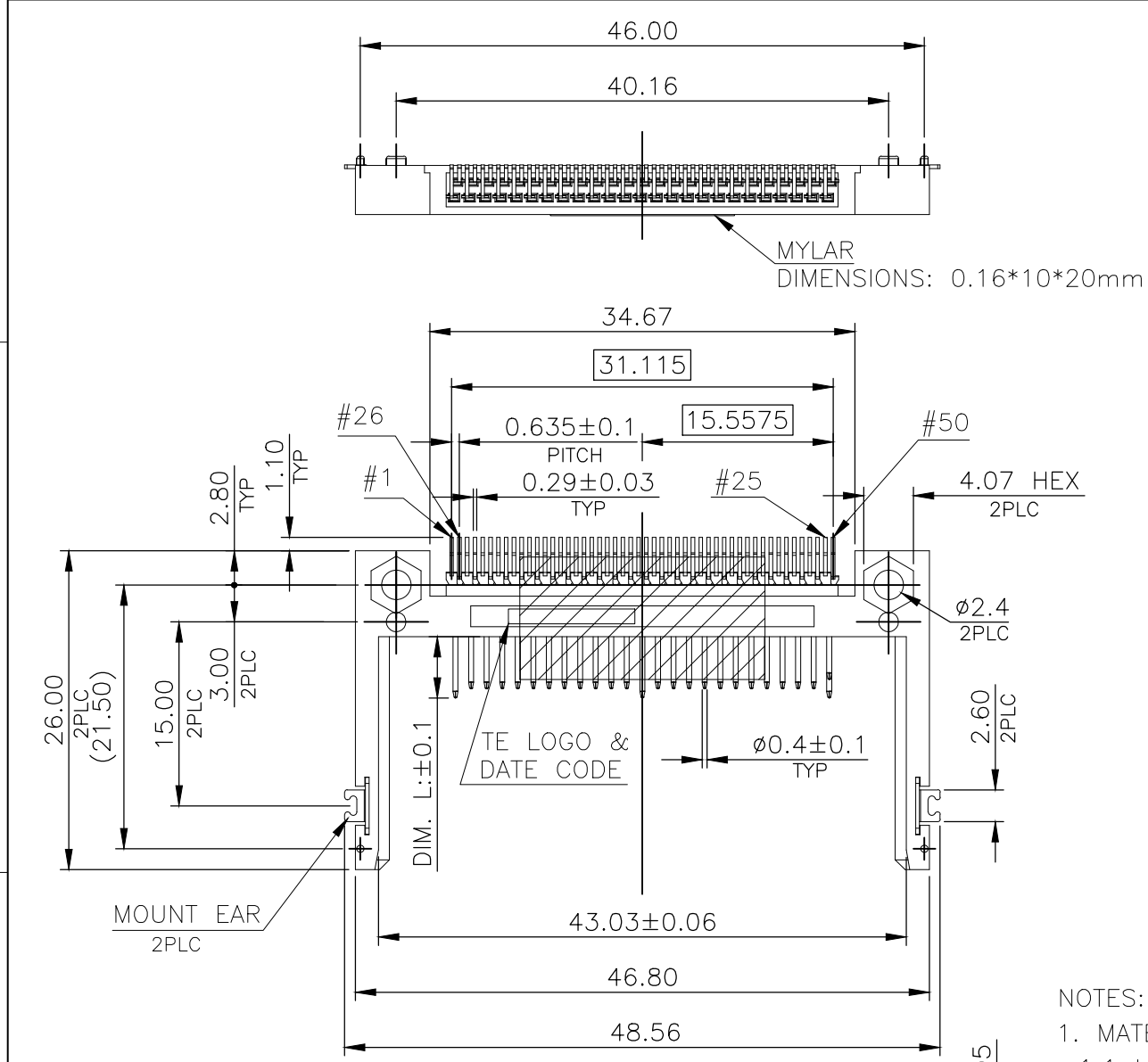


THIS DRAWING IS UNPUBLISHED. RELEASED FOR PUBLICATION
 © COPYRIGHT - TE Connectivity ALL RIGHTS RESERVED.

P	LTR	DESCRIPTION	DATE	DWN	APVD
F		REVISED PER ECR-17-016350	07NOV2017	R.Z	S.L



- NOTES:
 1. MATERIAL:
 1.1 HOUSING: THERMOPLASTIC, UL94 V-0, COLOR: NATURAL.
 1.2 CONTACT: BRASS, THICKNESS=0.45mm
 1.3 MOUNT EAR: BRASS, THICKNESS=0.3mm
 1.4 MYLAR: POLYETHYLENE, YELLOW COLOR.

POWER	5.00mm	1, 13, 38, 50
GENERAL	4.25mm	ALL OTHER PINS
DETECT	3.50mm	25, 26
PIN TYPE	INTERFACE DIM. L	PIN NO.

AVAILABLE	REEL		GOLD FLASH	0.381um [15u"]	3-1734451-1
AVAILABLE				0.381um [15u"]	2-1734451-1
OBSOLETE		WITH	GOLD FLASH		1-1734451-3
OBSOLETE			MATTE-TIN 2.54um [100u"] MIN	0.762um [30u"]	1-1734451-2
AVAILABLE	TRAY			0.381um [15u"]	1-1734451-1
OBSOLETE				0.762um [30u"]	1-1734451-2
AVAILABLE		W/O		0.381um [15u"]	1734451-1
STATUS	PACKAGE	MYLAR	PLATING ON SOLDER TAILS	MIN. GOLD THICKNESS	PART No.

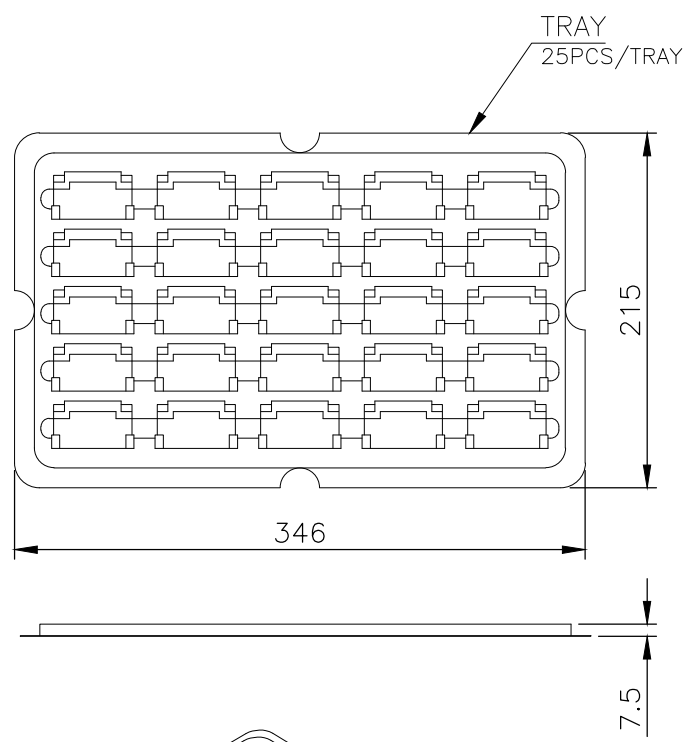
2. FINISH:
 2.1 CONTACT: GOLD PLATED (SEE TABLE) ON CONTACT AREA, GOLD OR MATTE-TIN PLATING (SEE TABLE) ON SOLDER TAILS, 1.27um[50u"] MIN. NICKEL UNDERPLATED OVERALL
 2.2 MOUNT EAR: 2.54um [100u"] MIN. MATTE-TIN PLATED OVERALL 1.27um [50u"] MIN. NICKEL UNDERPLATED OVERALL.
 3. CONNECTOR REQUIRES USE OF 2 - SIZE M2 SCREWS FOR FASTENING TO PRINTED CIRCUIT BOARD.
 4. REFLOW SOLDER CAPABLE TO 260° PER TE CONNECTIVITY SPEC 109-201, CPMDOTOPM B.

THIS DRAWING IS A CONTROLLED DOCUMENT.

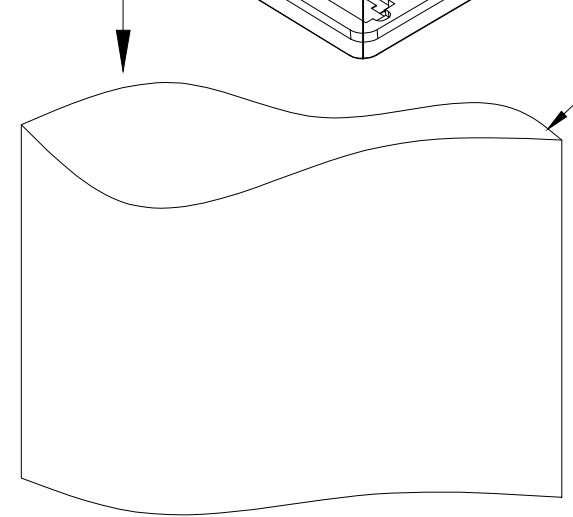
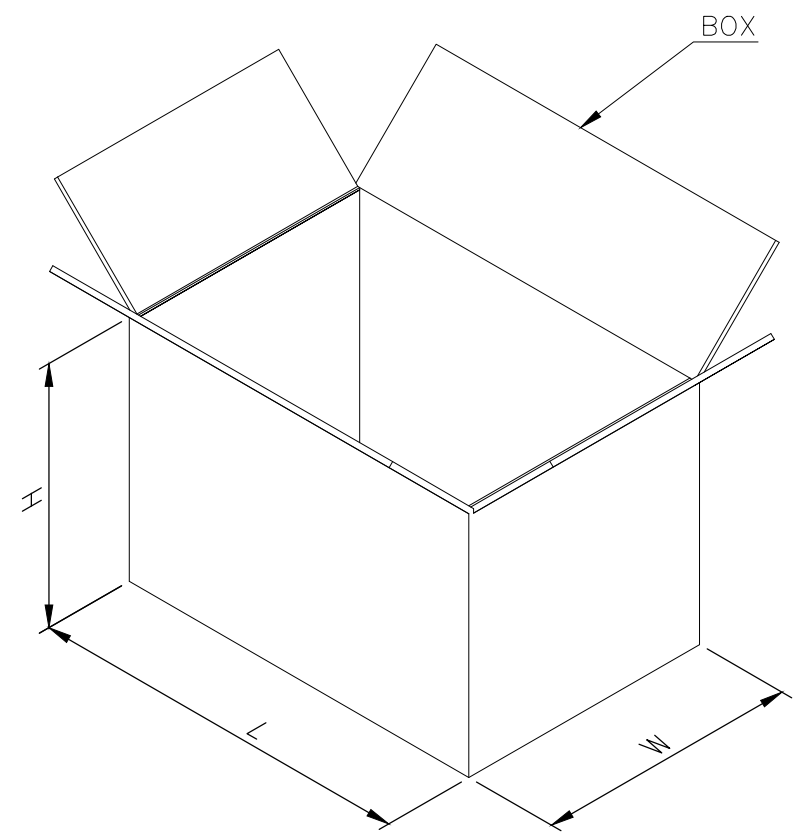
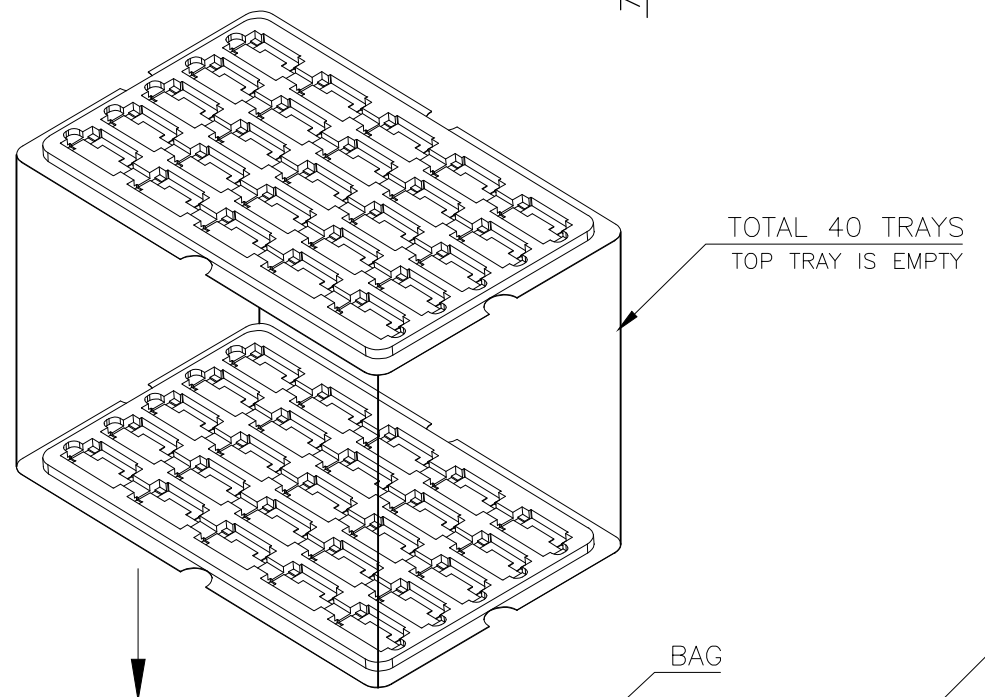
DWN S.CHIEEN	21JAN2017	 TE Connectivity	COMPACT FLASH CARD CONNECTOR HEADER ASSEMBLY, 50 POS TOP MOUNT, SMT TYPE, H=4.0mm		
CHK S.HOU	21JAN2017				
APVD W.KODAWA	21JAN2017				
PRODUCT SPEC					
108-57134		NAME			
APPLICATION SPEC		SIZE	CAGE CODE	DRAWING NO	RESTRICTED TO
MATERIAL SEE NOTE		WEIGHT 2.52 GRAMS	A300779	C-1734451	
FINISH SEE NOTE		CUSTOMER DRAWING		SCALE 1:1	SHEET 1 OF 3
				REV F	

THIS DRAWING IS UNPUBLISHED. RELEASED FOR PUBLICATION
 © COPYRIGHT - TE Connectivity ALL RIGHTS RESERVED.

REVISIONS					
P	LTR	DESCRIPTION	DATE	DWN	APVD
-	-	SEE SHEET 1	-	-	-



- NOTES :
- MATERIAL :
 TRAY : PS.
 BAG : PE
 BOX : CORRUGATED FIBERBOARD.
 - DIMENSION :
 TRAY : L=346mm, W=215mm, H=7.5mm
 BAG : L=600mm, W=550mm, THICKNESS=0.1mm
 BOX : L=356mm, W=225mm, H=292mm
 - EACH BAG SHALL BE INCLUDED:
 * DESICCANT



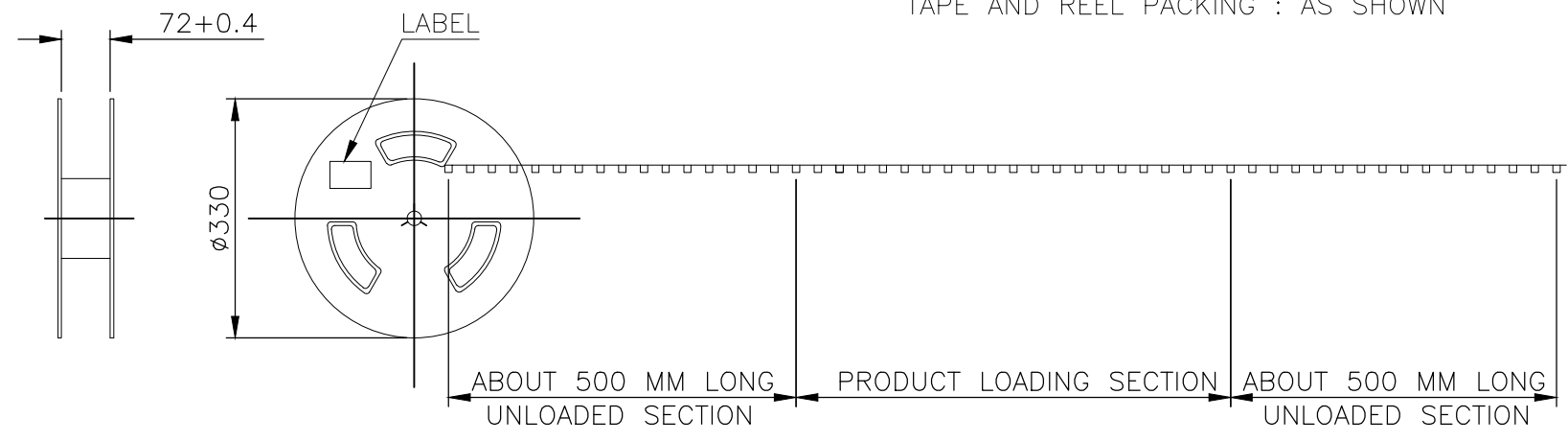
5.45 Kg	2.51 Kg	25	40	1000	1-1734451-1
					1734451-1
GROSS WEIGHT	NET WEIGHT	PCS/TRAY	TRAY/BOX	PCS/BOX	PART NUMBER

THIS DRAWING IS A CONTROLLED DOCUMENT.		DWN S.CH IEN 21JAN2017	STE TE Connectivity		
DIMENSIONS: mm		CHK S.HOU 21JAN2017			
TOLERANCES UNLESS OTHERWISE SPECIFIED:		APVD W.KODAWA 21JAN2017	NAME		
0 PLC ± -		PRODUCT SPEC	COMPACT FLASH CARD CONNECTOR		
1 PLC ± 0.3		108-57134	HEADER ASSEMBLY, 50 POS		
2 PLC ± 0.2		APPLICATION SPEC	TOP MOUNT, SMT TYPE, H=4.0mm		
3 PLC ± 0.15		-	SIZE	CAGE CODE	DRAWING NO
4 PLC ± -		WEIGHT 2.52 GRAMS	A3	00779	C=1734451
ANGLES ± 3°		CUSTOMER DRAWING	RESTRICTED TO	-	
MATERIAL SEE NOTE		FINISH SEE NOTE	SCALE 1:1	SHEET 2 OF 3	REV F

THIS DRAWING IS UNPUBLISHED. RELEASED FOR PUBLICATION
 © COPYRIGHT - TE Connectivity ALL RIGHTS RESERVED.

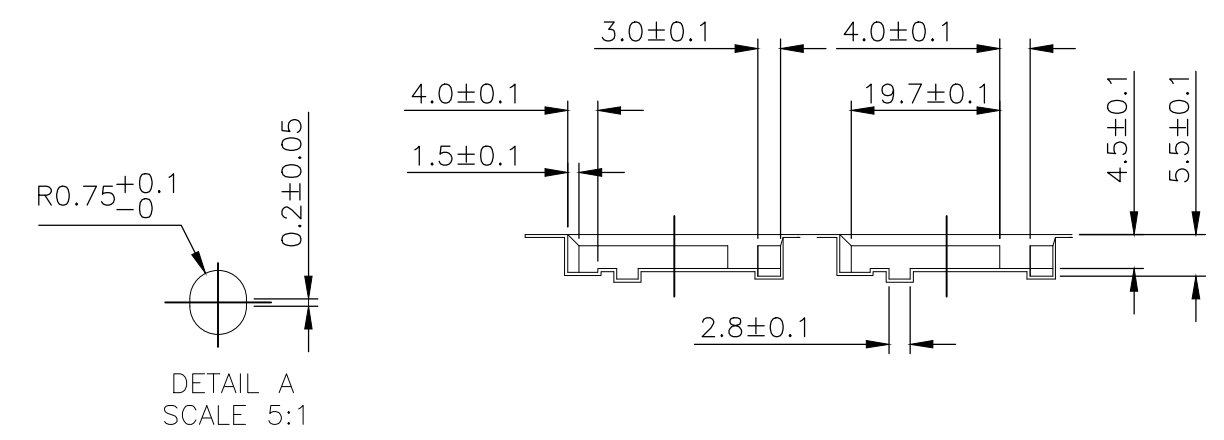
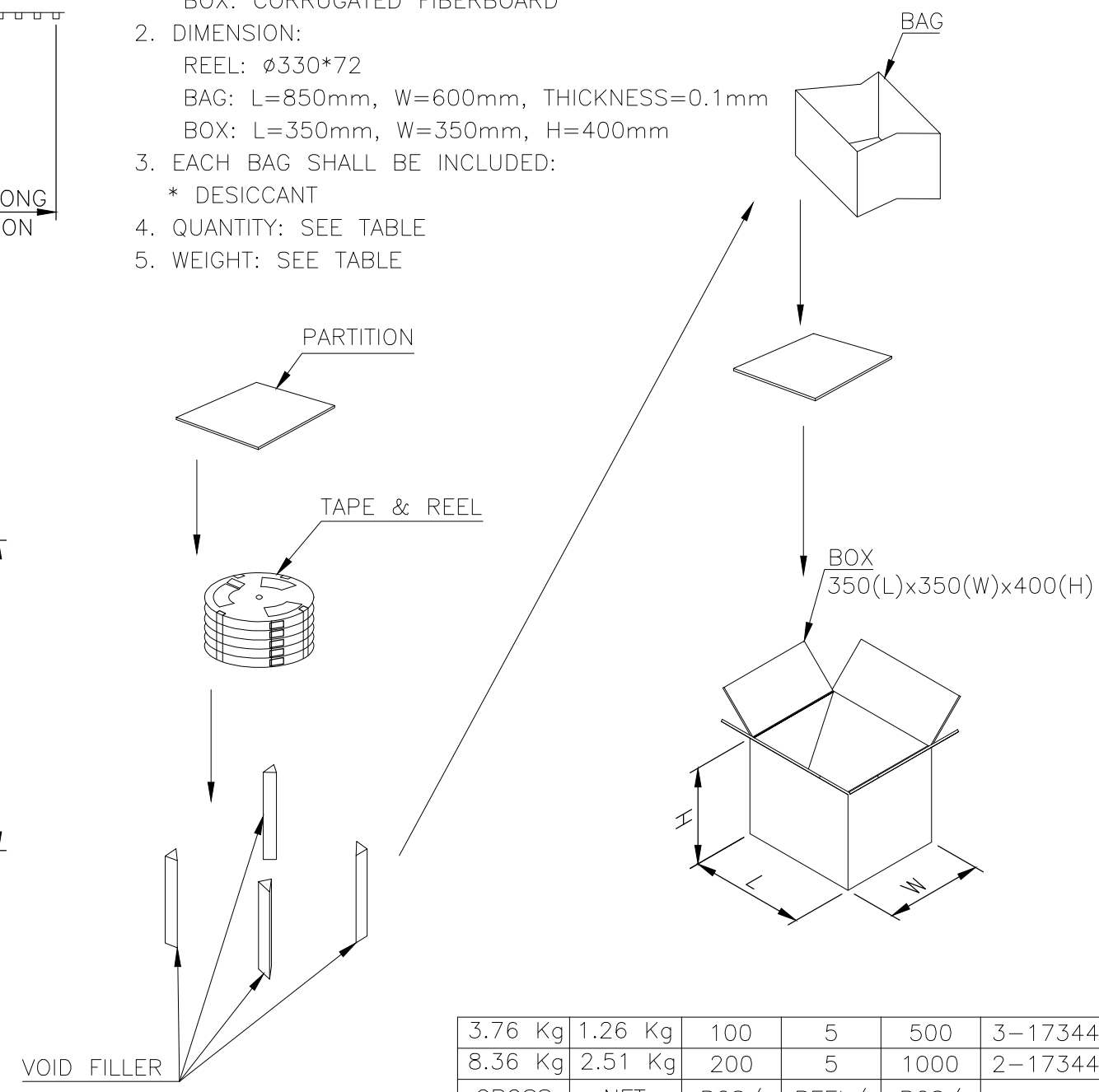
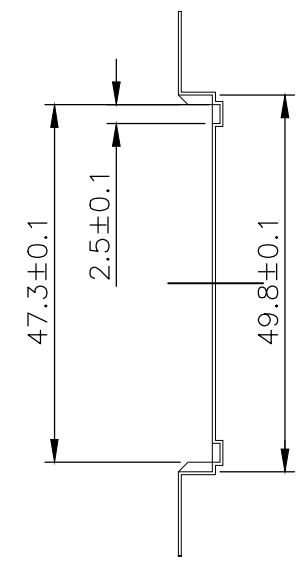
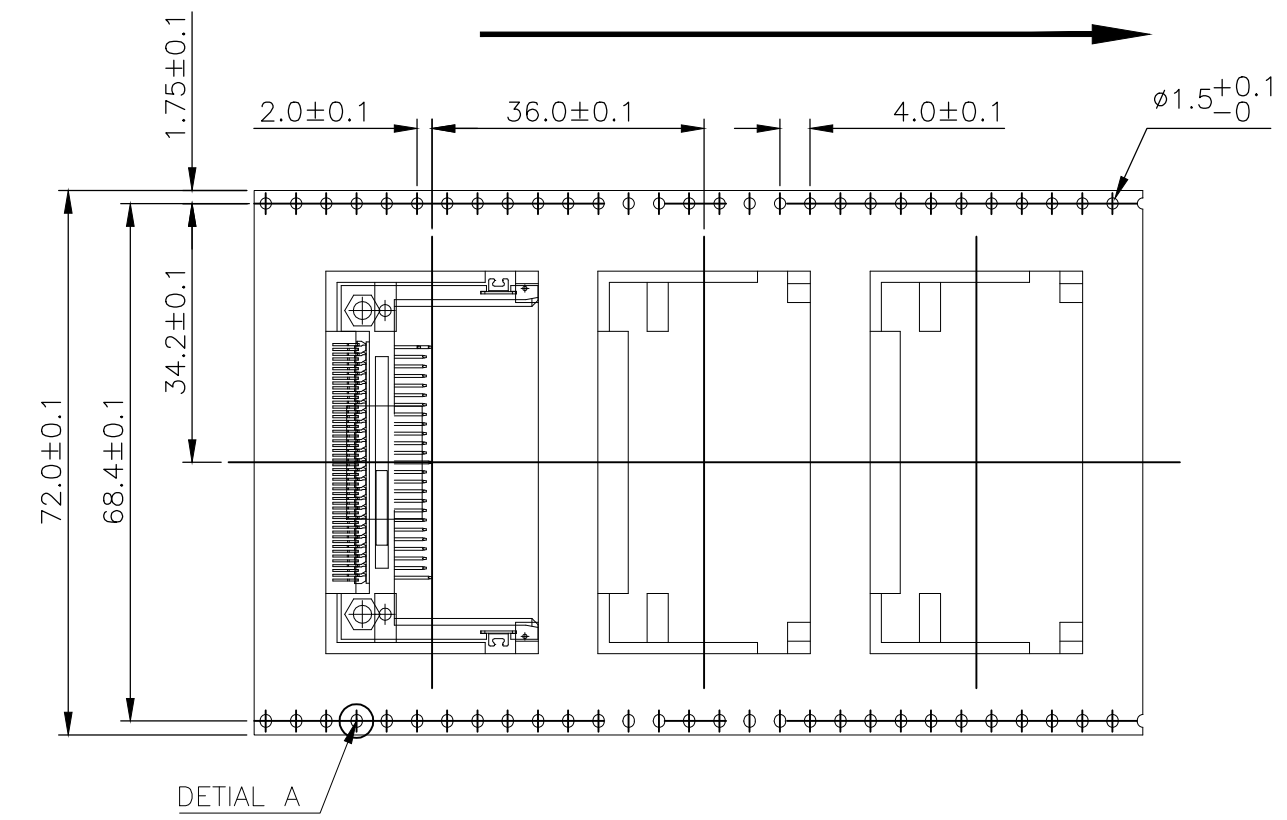
REVISIONS					
P	LTR	DESCRIPTION	DATE	DWN	APVD
-	-	SEE SHEET 1	-	-	-

TAPE AND REEL PACKING : AS SHOWN



NOTES:

- MATERIAL:
 REEL: PS.
 BAG: PE
 BOX: CORRUGATED FIBERBOARD
- DIMENSION:
 REEL: $\phi 330 \times 72$
 BAG: L=850mm, W=600mm, THICKNESS=0.1mm
 BOX: L=350mm, W=350mm, H=400mm
- EACH BAG SHALL BE INCLUDED:
 * DESICCANT
- QUANTITY: SEE TABLE
- WEIGHT: SEE TABLE



GROSS WEIGHT	NET WEIGHT	PCS/ REEL	REEL/ BOX	PCS/ BOX	PART NUMBER
3.76 Kg	1.26 Kg	100	5	500	3-1734451-1
8.36 Kg	2.51 Kg	200	5	1000	2-1734451-1

THIS DRAWING IS A CONTROLLED DOCUMENT.		DWN S.CH IEN 21JAN2017	TE Connectivity		
DIMENSIONS: mm		CHK S.HOU 21JAN2017			
TOLERANCES UNLESS OTHERWISE SPECIFIED:		APVD W.KODAWA 21JAN2017	NAME		
0 PLC ± -		PRODUCT SPEC	COMPACT FLASH CARD CONNECTOR		
1 PLC ± 0.3		108-57134	HEADER ASSEMBLY, 50 POS		
2 PLC ± 0.2		APPLICATION SPEC	TOP MOUNT, SMT TYPE, H=4.0mm		
3 PLC ± 0.15		-	SIZE	CAGE CODE	DRAWING NO
4 PLC ± -		WEIGHT 2.52 GRAMS	A3	00779	C-1734451
ANGLES ± 3°		CUSTOMER DRAWING	RESTRICTED TO	-	
FINISH SEE NOTE		SCALE 1:1	SHEET 3 OF 3	REV F	

X-ON Electronics

Largest Supplier of Electrical and Electronic Components

Click to view similar products for [Memory Card Connectors](#) category:

Click to view products by [TE Connectivity](#) manufacturer:

Other Similar products are found below :

[M21-033321-005](#) [6407-249V-25273P](#) [6407-249V-25343P](#) [6426-201-21343](#) [69.920.0553.0](#) [FCN-568P068-G/07-4V](#) [809180410000000](#)
[N7E50-7516PG-20-WF](#) [HMCAP001](#) [2041353-2](#) [33CFAE-DN](#) [502431-1011](#) [EN2997S61212BN](#) [EN2997SE61212BN](#) [NX1-32T-KT3K\(05\)](#)
[95622-003LF](#) [N7E50-U516RB-50-SIN0005](#) [95079-00CALF](#) [33DVIR-29S12R](#) [125A-78C00](#) [MI20A-50PD-SF-EJL\(71\)](#) [KP10S-SF-PEJ\(812\)](#)
[504536-0691](#) [504580-0691](#) [CCM03-3109 B LFT](#) [MI21-50PD-SF\(91\)](#) [2309923-1](#) [61126-050CAHLF](#) [IC1GA-68PD-1.27DS-EJ\(72\)](#)
[GTFP08432B1HR](#) [G85DT17001P1EU](#) [G85B21611142HHR](#) [GSD090144HR](#) [G85D1140022P1HR](#) [GMCB05801124EU](#) [G85C11101152HHR](#)
[G85B231021B1HR](#) [G85D1160022HHR](#) [112K-TAA0-RA1](#) [115S-ACA2](#) [115S-ACA3](#) [115S-BS00](#) [115S-BT00](#) [115V-AD00](#) [MCSP-Q1-08-](#)
[A-SG-T/R](#) [503960-0695](#) [101B-TAA0-R](#) [101D-TAAA-R01](#) [101D-TAAB-R01](#) [104D-TCA0-R06](#)