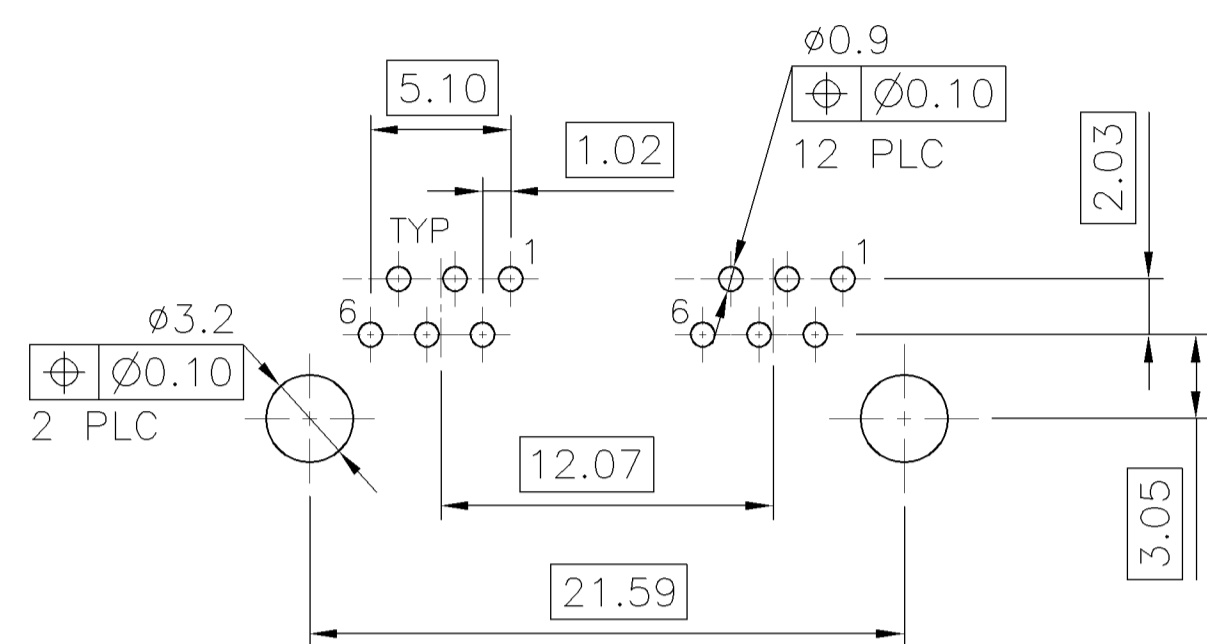
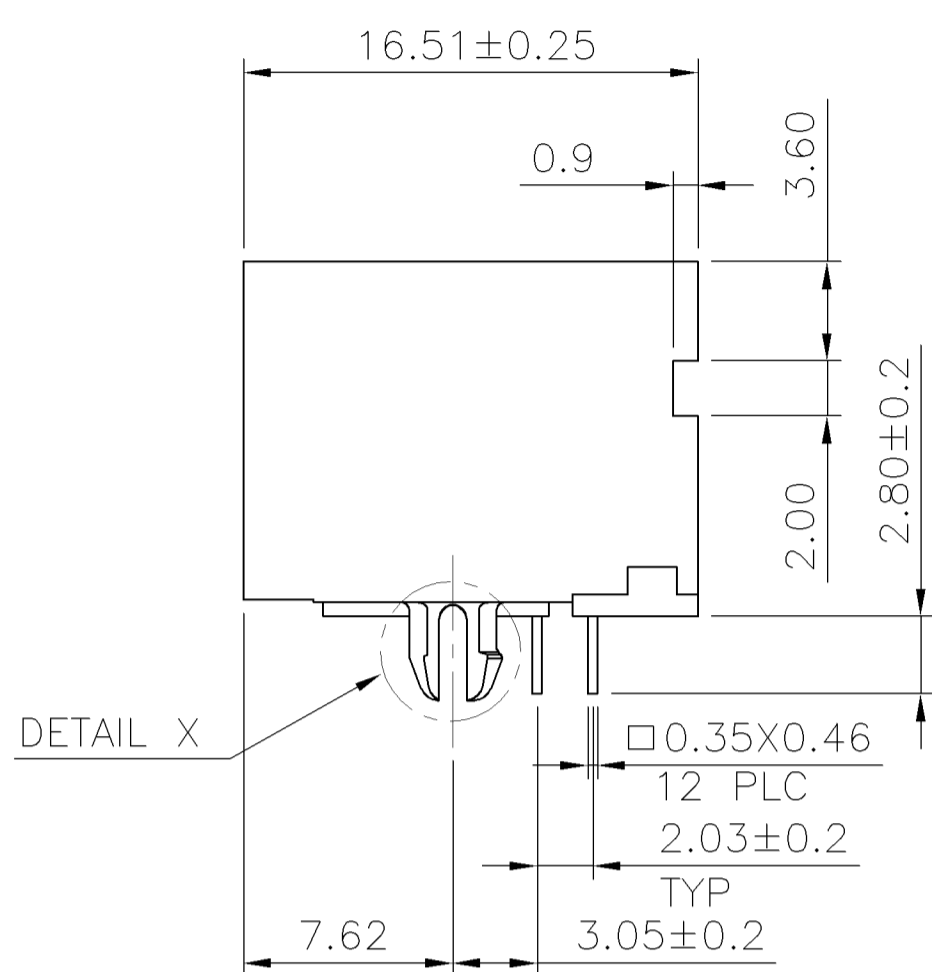
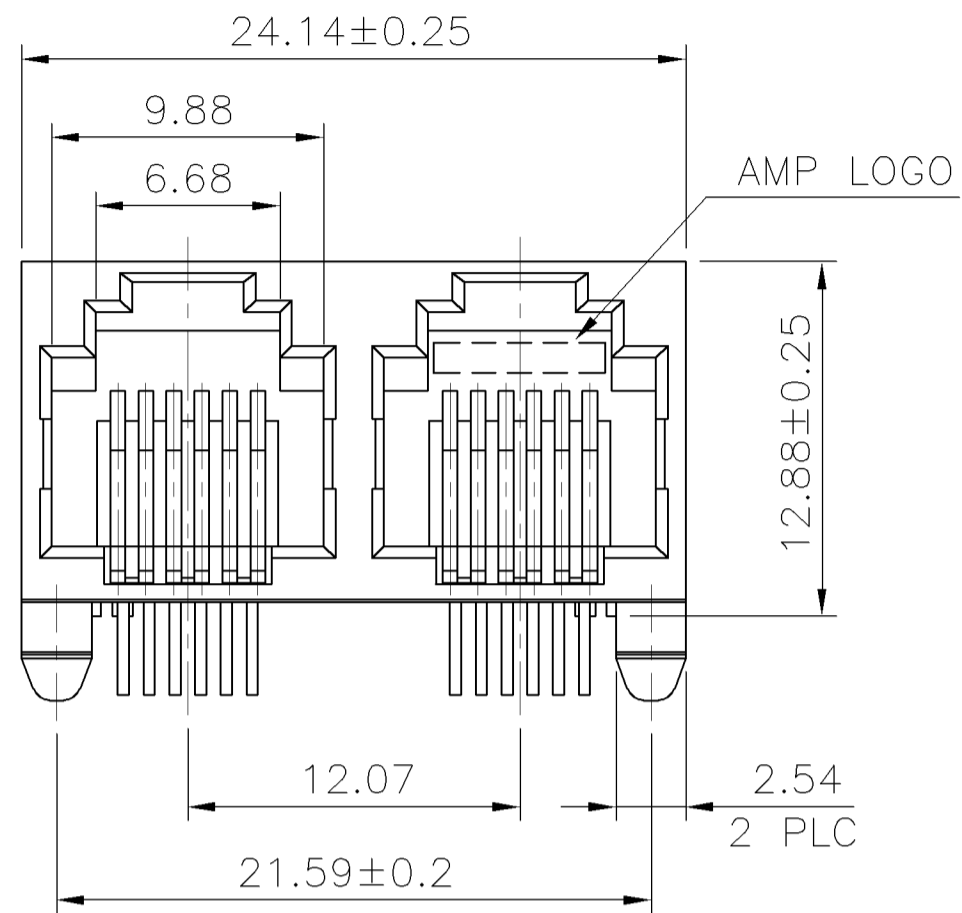
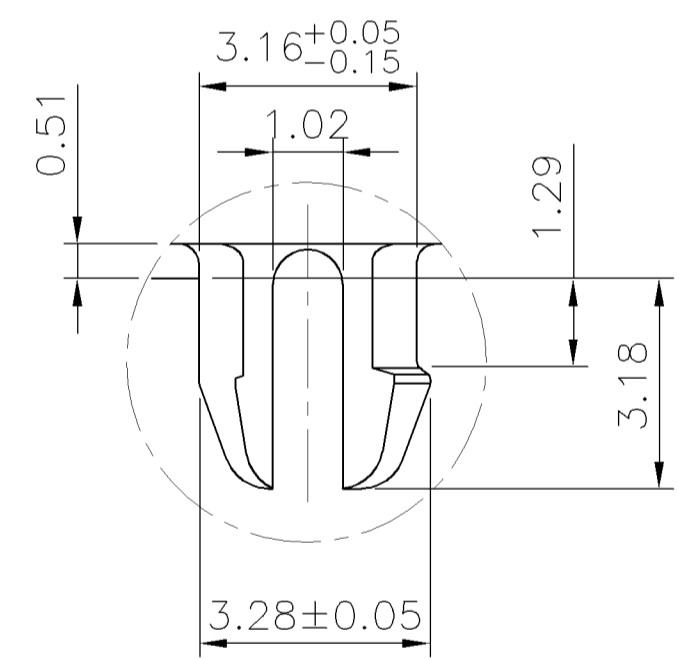
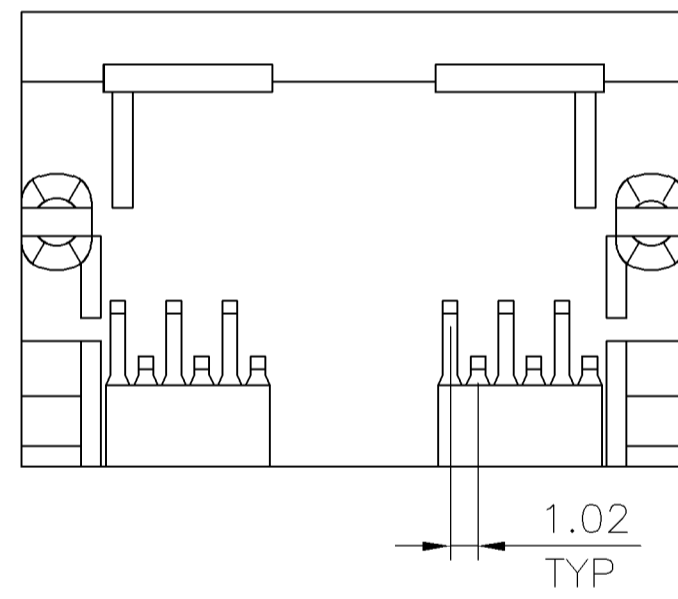


THIS DRAWING IS UNPUBLISHED. RELEASED FOR PUBLICATION
 © COPYRIGHT BY TYCO ELECTRONICS CORPORATION. ALL RIGHTS RESERVED.

LOC	DIST	REVISIONS					
DW	—	P	LTR	DESCRIPTION	DATE	DWN	APVD
			A	RELEASED	04MAY07	OH	WK



RECOMMENDED PCB LAYOUT (THICKNESS: 1.2mm)
 DIMENSION TOLERANCE: (1 PLC: ±0.1 2PLC: ±0.05)



DETAIL X

NOTE:

- MATERIAL:
HOUSING: PA46 WITH 30% GF, UL 94V-0, BLACK COLOR.
CONTACTS: PHOSPHOR BRONZE.
- FINISH:
CONTACTS: SELECTIVE GOLD PLATED (SEE TABLE) ON CONTACT AREA, GOLD FLASH ON SOLDER TAIL, WITH ENTIRE CONTACT UNDERPLATED 1.27µm [50µ"] MIN. NICKEL.
- WAVE SOLDER CAPABLE TO 265°C PER TYCO TEST SPEC. 109-202, CONDITION B.

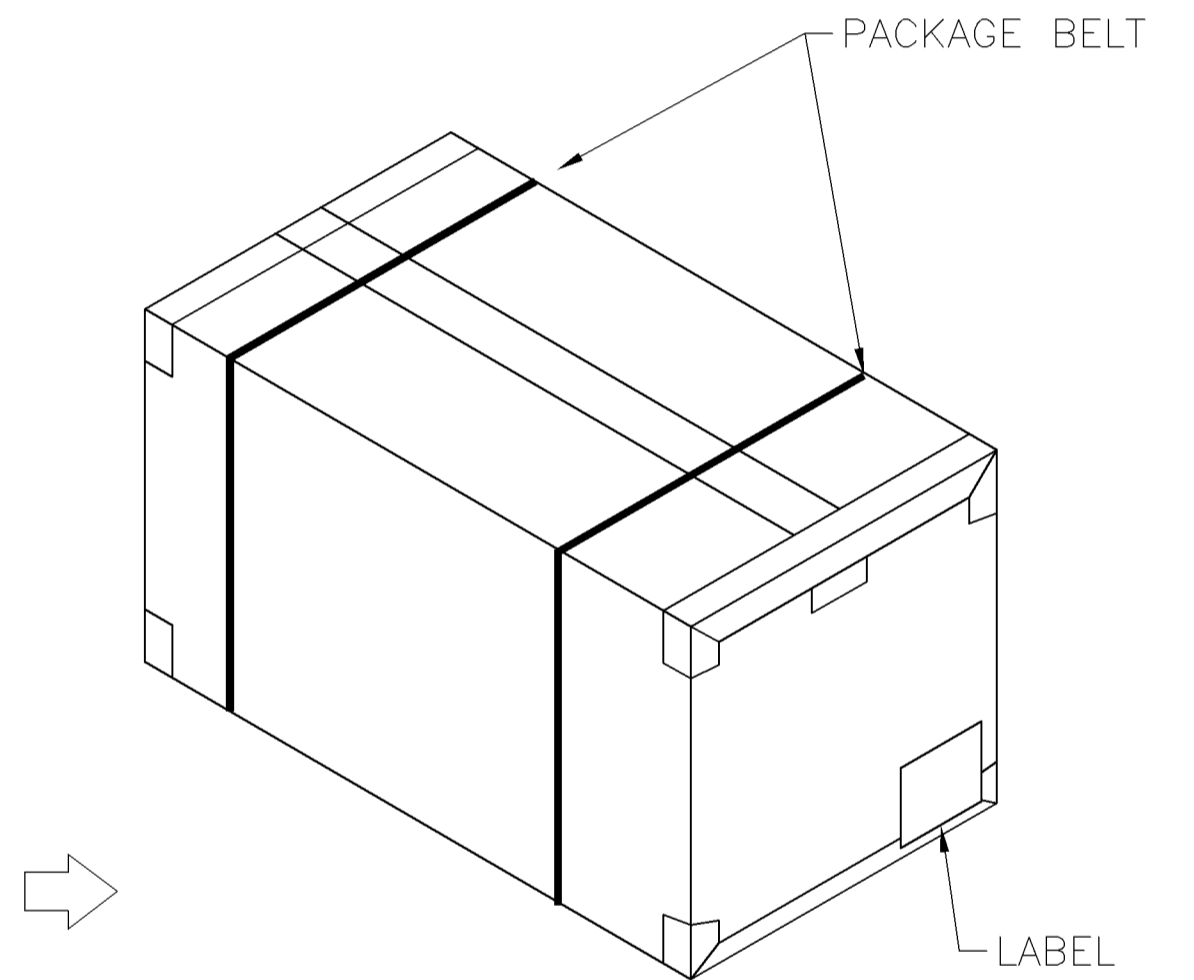
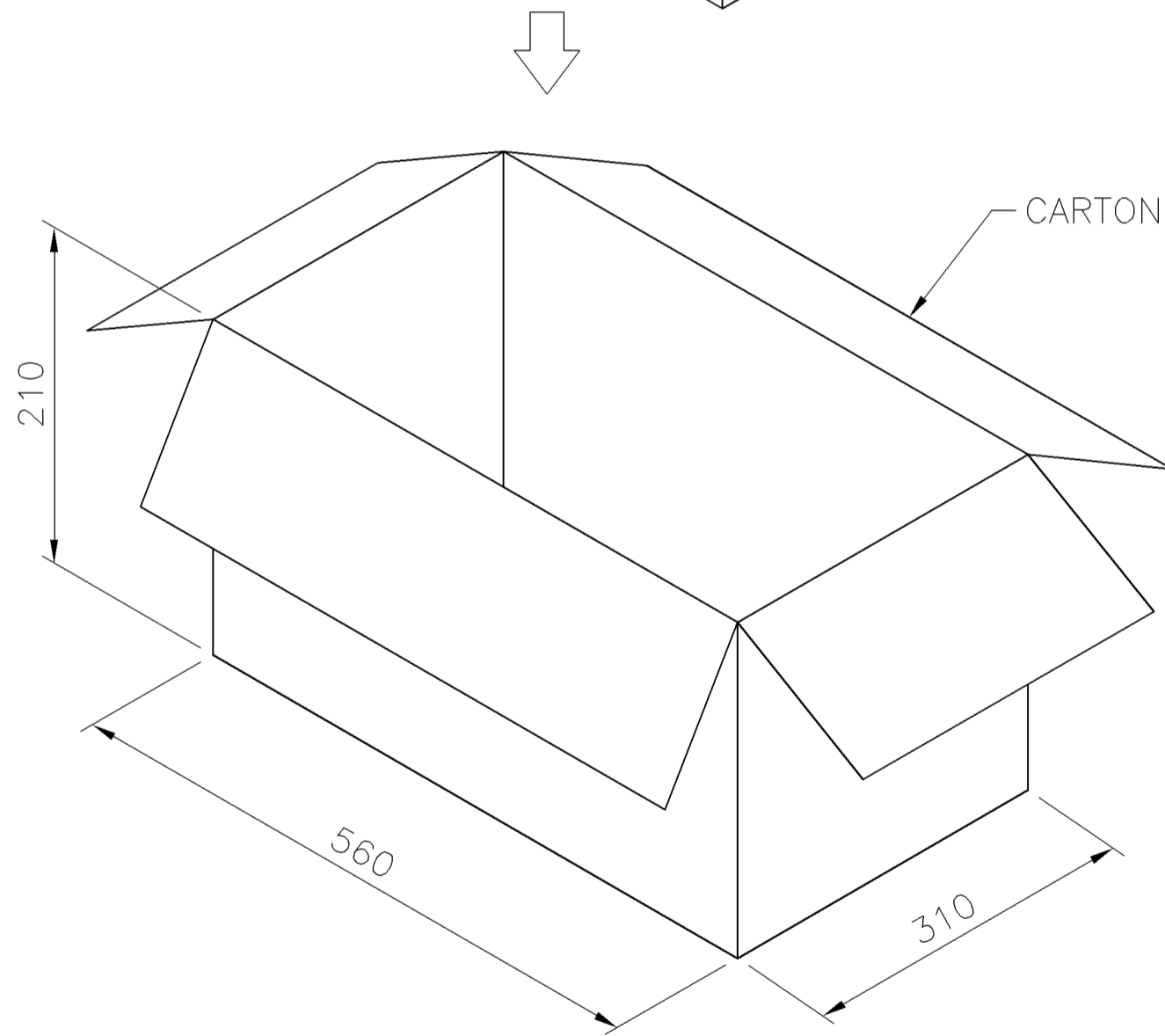
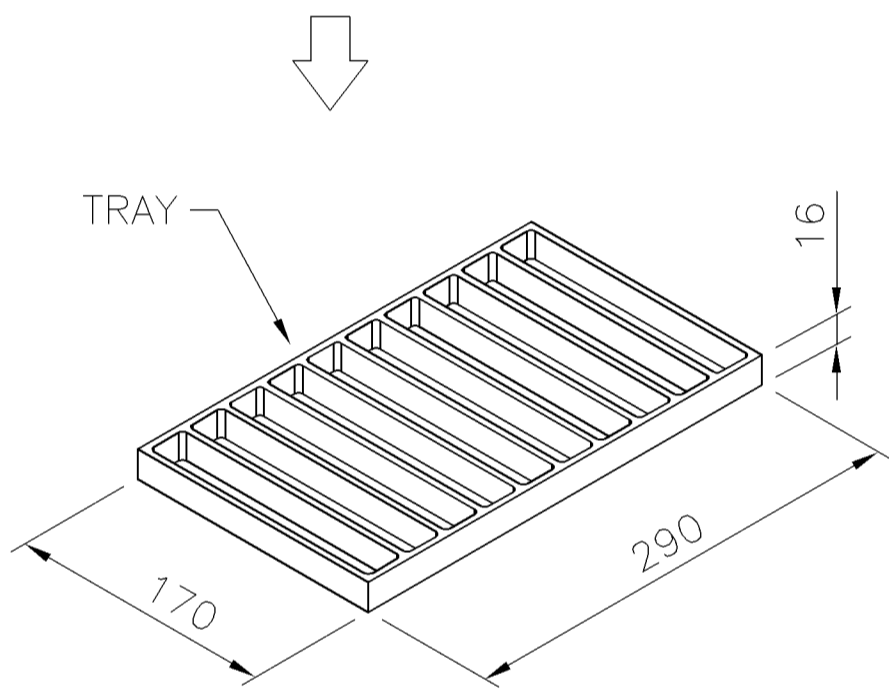
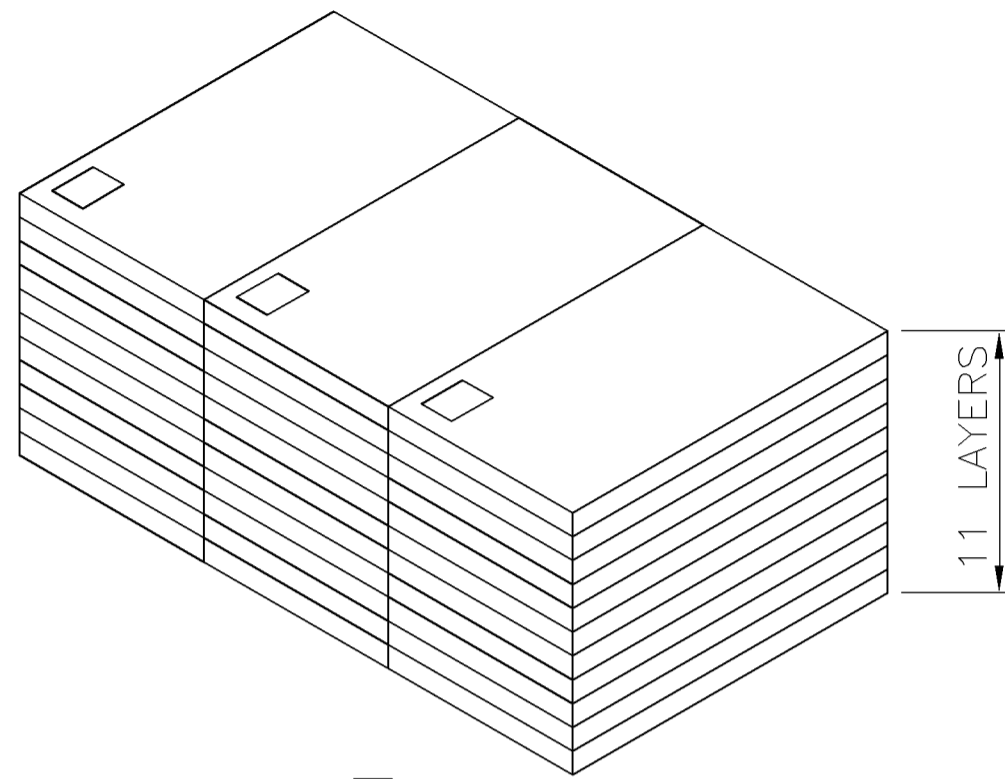
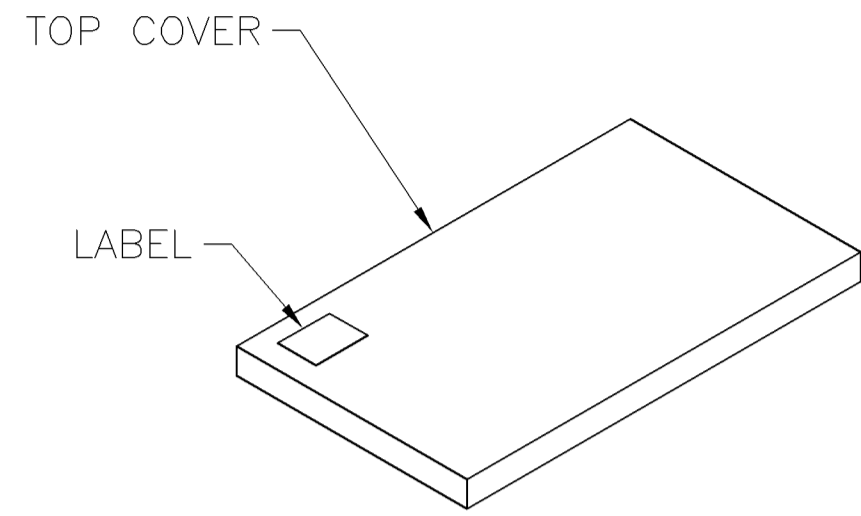
HOUSING COLOR	NO. OF CONTACTS	MIN. GOLD THICKNESS	PART NUMBER	HOUSING COLOR	NO. OF CONTACTS	MIN. GOLD THICKNESS	PART NUMBER
GREEN	6	1.37µm [50µ"]	3-1734479-4	BLACK	6	1.37µm [50µ"]	1-1734479-4
	6	0.762µm [30µ"]	3-1734479-3		6	0.762µm [30µ"]	1-1734479-3
	6	0.381µm [15µ"]	3-1734479-2		6	0.381µm [15µ"]	1-1734479-2
	6	0.152µm [6µ"]	3-1734479-1		6	0.152µm [6µ"]	1-1734479-1
	4	1.37µm [50µ"]	2-1734479-4		4	1.37µm [50µ"]	1734479-4
	4	0.762µm [30µ"]	2-1734479-3		4	0.762µm [30µ"]	1734479-3
	4	0.381µm [15µ"]	2-1734479-2		4	0.381µm [15µ"]	1734479-2
	4	0.152µm [6µ"]	2-1734479-1		4	0.152µm [6µ"]	1734479-1

THIS DRAWING IS A CONTROLLED DOCUMENT.

DWN O. HU	03MAY2007	Tyco Electronics Corporation Taipei, Taiwan				
CHK S. HOU	03MAY2007					
APVD W.J. KE	03MAY2007					
PRODUCT SPEC						
108-57535		MODULAR JACK RJ11, DOUBLE-PORT, SIDE ENTRY, THROUGH-HOLE, LOW PROFILE				
501-57733						
QUALIFICATION TEST REPORT		SIZE	CAGE CODE	DRAWING NO	RESTRICTED TO	
MATERIAL SEE NOTE		501-57733		A300779	C=1734479	
FINISH SEE NOTE		WEIGHT 3.5 GRAMS		SCALE	SHEET 1 OF 2	REV A
		CUSTOMER DRAWING				

THIS DRAWING IS UNPUBLISHED. RELEASED FOR PUBLICATION
 © COPYRIGHT BY TYCO ELECTRONICS CORPORATION. ALL RIGHTS RESERVED.

LOC DW	DIST —	REVISIONS			
P	LTR	DESCRIPTION	DATE	DWN	APVD
		SEE SHEET 1.			



9 Kg	7 Kg	60	33	1980 PCS
GROSS WEIGHT	NET WEIGHT	PCS/TRAY	TRAYS /CARTON	QUANTITY

THIS DRAWING IS A CONTROLLED DOCUMENT.		DWN O. HU	03MAY2007	tyco Tyco Electronics Corporation	
DIMENSIONS: MM		CHK S. HOU	03MAY2007	Electronics Taipei, Taiwan	
TOLERANCES UNLESS OTHERWISE SPECIFIED:		APVD W.J. KE	03MAY2007	NAME MODULAR JACK RJ11,DOUBLE-PORT, SIDE ENTRY, THROUGH-HOLE, LOW PROFILE	
0 PLC ± -		PRODUCT SPEC	SIZE		
1 PLC ± -		APPLICATION SPEC	CAGE CODE		DRAWING NO
2 PLC ± -		WEIGHT	A300779		RESTRICTED TO
3 PLC ± -		CUSTOMER DRAWING			
4 PLC ± -		SCALE		SHEET	
ANGLES ± -		—		2 OF 2	
FINISH		—		REV A	

X-ON Electronics

Largest Supplier of Electrical and Electronic Components

Click to view similar products for [Modular Connectors / Ethernet Connectors](#) category:

Click to view products by [TE Connectivity](#) manufacturer:

Other Similar products are found below :

[8949-H88/06BLKA/SN](#) [74441-0010/BKN](#) [MP1010RX-1000](#) [MP44RX-1000](#) [PHJ-4P4C-1-V-4](#) [PHP-6P6C-5](#) [GAX-3-66](#) [GAX-8-62](#) [GDCX-PA-66-50](#) [GDCX-PN-64](#) [GDCX-PN-66](#) [GDCX-PN-66-50](#) [GDLX-A-66](#) [GDLX-N-66](#) [GDLX-S-66](#) [GDLX-S-88K](#) [GDTX-S-88-50](#) [GDX-PA-1010](#) [GLX-N-1010M-BLK](#) [GLX-S-88M-BLK](#) [GMX-N-1010](#) [GMX-S-1010](#) [GMX-S-66](#) [GMX-SMT4-N-88](#) [GPX-2-64](#) [GSGX-N-2-88](#) [GSGX-N-4-88](#) [GSX-NS2-88-3.05](#) [GSX-NS2-88-3.05-50](#) [GSX-NS-88-3.05-50](#) [PT-108A-8C-UL](#) [PT-J951-8C](#) [PTS-J531-8CS-50UL](#) [1-1775629-2](#) [A-2014-0-4](#) [GWLX-S-88-GR](#) [GWLX-S9-88-YG](#) [DC-1021-8-WH-6](#) [1300530003](#) [1324640-4](#) [RJ11FTVC2G](#) [RJ11FTVC2N](#) [RJFTVX2SA1G](#) [132764-001](#) [1413235](#) [MP88X-1000](#) [MPS88RX-5000](#) [E5288-S000K3-L](#) [E5908-15A242-L](#) [155302-001](#)