

THIS DRAWING IS UNPUBLISHED.

RELEASED FOR PUBLICATION

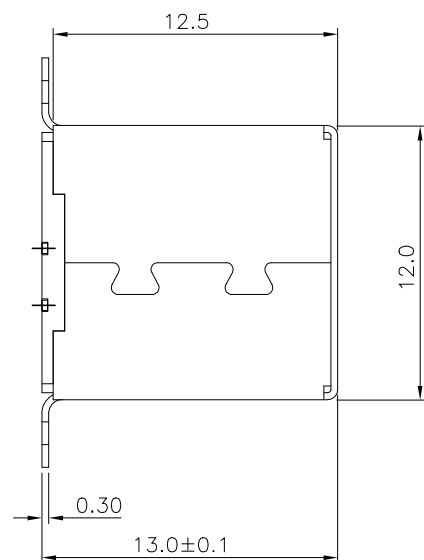
- . - .

REVISIONS

© COPYRIGHT - TE Connectivity Ltd.

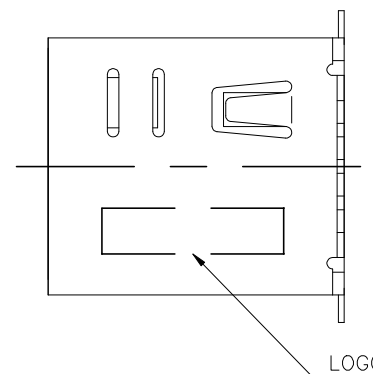
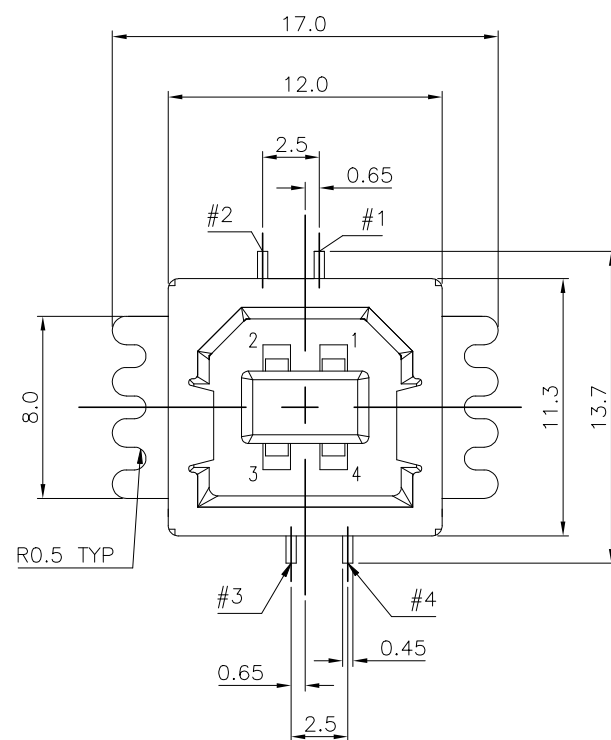
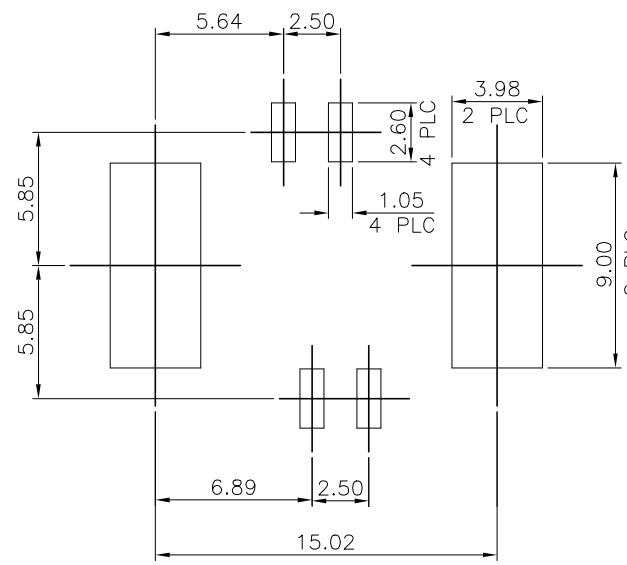
ALL RIGHTS RESERVED.

P	LTR	DESCRIPTION	DATE	DWN	APVD
	B2	ADD NEW P/N 1734517-3	17MAY2019	T.Z	S.L



NOTES :

- MATERIAL:
HOUSING: THERMOPLASTIC, UL 94V-0, COLOR: **SEE PART TABLE**
CONTACT: PHOSPHOR BRONZE, THICKNESS=0.25mm.
SHELL: PHOSPHOR BRONZE, THICKNESS=0.30mm.
- FINISH:
CONTACT: GOLD FLASH OVER
0.762um [30u"] MIN. PALLADIUM-NICKEL PLATING ON CONTACT AREA,
2.54um [100u"] MIN. MATTE-TIN PLATING ON SOLDER TAILS,
1.27um [50u"] MIN. NICKEL UNDERPLATED OVER ALL.
SHELL: 2.54um [100u"] MIN. NICKEL PLATED OVER
1.27um [50u"] MIN. Cu UNDERPLATED.
- REFLOW SOLDER CAPABLE TO 260°C PER TE SPEC 109-201, CONDITION B.



D

D

C

C


B

B

A

A

NATURAL	1734517-3
BLACK	1734517-1
H/S COLOR	PART NUMBER

THIS DRAWING IS A CONTROLLED DOCUMENT.		DWN	20MAR2019	 TE Connectivity Ltd.	
		CHK	21MAR2019		
DIMENSIONS: mm		APVD	21MAR2019	NAME	
TOLERANCES UNLESS OTHERWISE SPECIFIED:		PRODUCT SPEC		USB B TYPE, TOP ENTRY, 4 POSITION, SMT TYPE	
0 PLC ± 0.38		108-57538			
1 PLC ± 0.25		APPLICATION SPEC			
2 PLC ± 0.13		WEIGHT		0	
3 PLC ± 0.05		SIZE		A3	
4 PLC ± -		CAGE CODE		00779	
ANGLES ± 3°		DRAWING NO		C=1734517	
MATERIAL		RESTRICTED TO		-	
FINISH		SCALE		N/A	
		SHEET		1 OF 3	
		REV		B2	
		CUSTOMER DRAWING			

THIS DRAWING IS UNPUBLISHED.

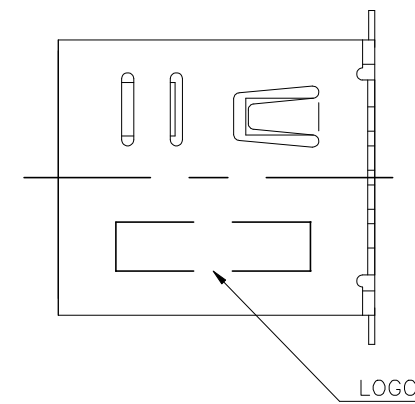
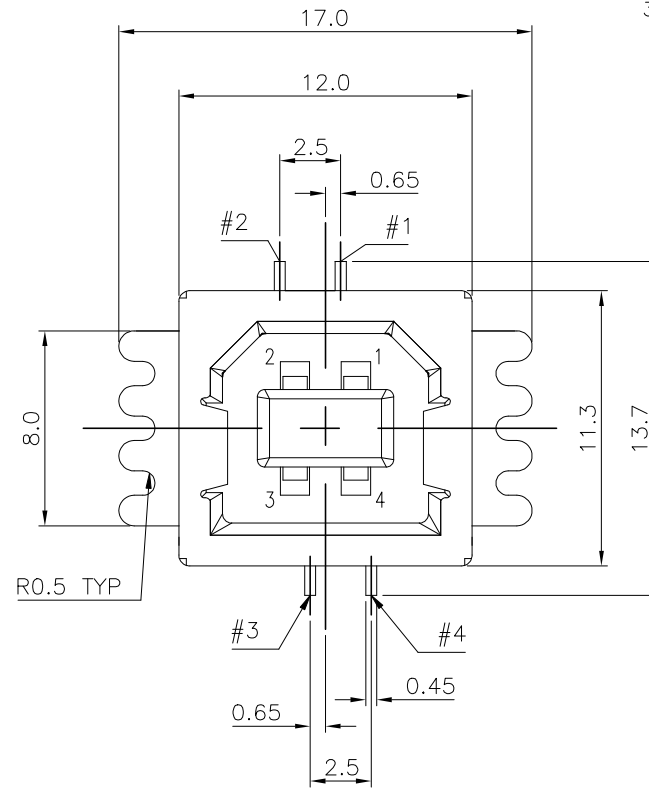
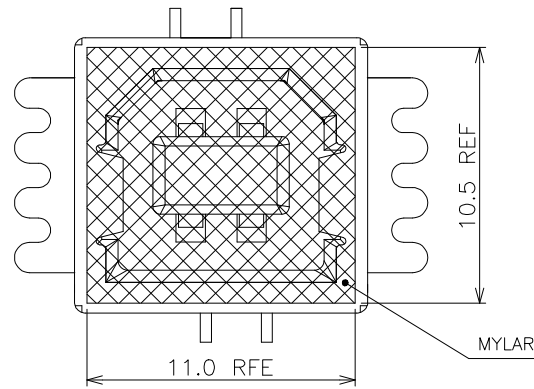
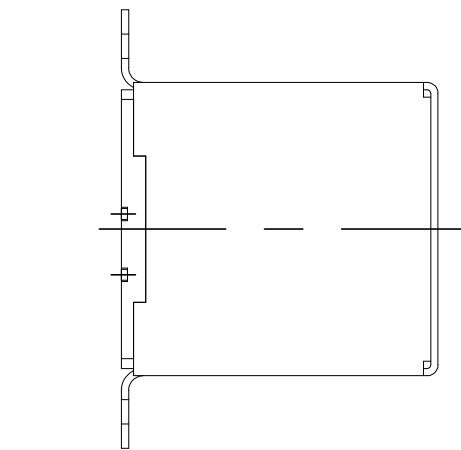
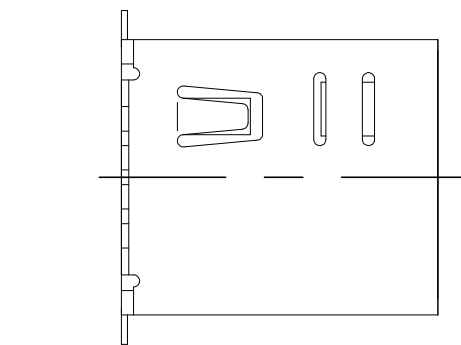
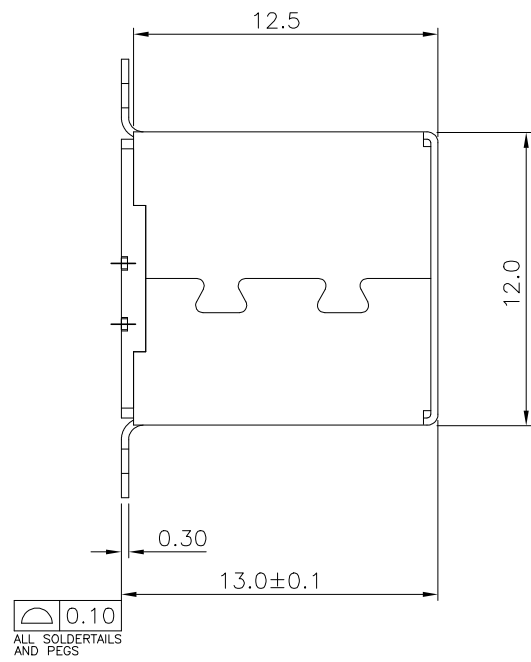
RELEASED FOR PUBLICATION

© COPYRIGHT - TE Connectivity Ltd.

ALL RIGHTS RESERVED.

REVISIONS

P	LTR	DESCRIPTION	DATE	DWN	APVD
-	-	SEE SHEET 1	-	-	-



- NOTES :
- MATERIAL:
 - HOUSING: THERMOPLASTIC, UL 94V-0, COLOR: BLACK.
 - CONTACT: PHOSPHOR BRONZE, THICKNESS=0.25mm.
 - SHELL: PHOSPHOR BRONZE, THICKNESS=0.30mm.
 - MYLAR: POLYIMIDE FILM ADHESIVE TAPE, T=0.35MM (HIGH TEMPERATURE-RESISTANT RANGE: 255°C TO 260°C, 5-10S)
 - FINISH:
 - CONTACT: GOLD FLASH OVER 0.762um [30u"] MIN. PALLADIUM-NICKEL PLATING ON CONTACT AREA, 2.54um [100u"] MIN. MATTE-TIN PLATING ON SOLDER TAILS, 1.27um [50u"] MIN. NICKEL UNDERPLATED OVER ALL.
 - SHELL: 2.54um [100u"] MIN. NICKEL PLATED OVER 1.27um [50u"] MIN. Cu UNDERPLATED.
 - REFLOW SOLDER CAPABLE TO 260°C PER TE SPEC 109-201, CONDITION B.

SHOWN AS: 1734517-2

THIS DRAWING IS A CONTROLLED DOCUMENT.		DWN	20MAR2019	STE TE Connectivity Ltd.	
DIMENSIONS: mm		CHK	-		
TOLERANCES UNLESS OTHERWISE SPECIFIED:		APVD	-	NAME USB B TYPE, TOP ENTRY, 4 POSITION, SMT TYPE	
0 PLC ± -		PRODUCT SPEC	-		
1 PLC ± -		APPLICATION SPEC	-	SIZE	A3
2 PLC ± -		WEIGHT	-	CAGE CODE	00779
3 PLC ± -		CUSTOMER DRAWING		DRAWING NO	1734517
4 PLC ± -		SCALE		N/A	SHEET
ANGLES ± -		SHEET		2 of 3	REV
MATERIAL		RESTRICTED TO		-	B2
FINISH		REV		-	B2

THIS DRAWING IS UNPUBLISHED.

RELEASED FOR PUBLICATION

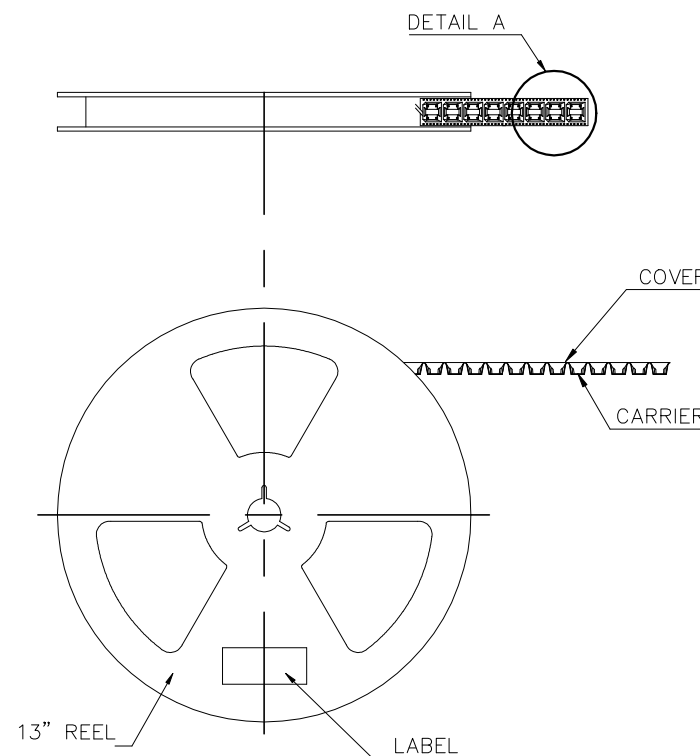
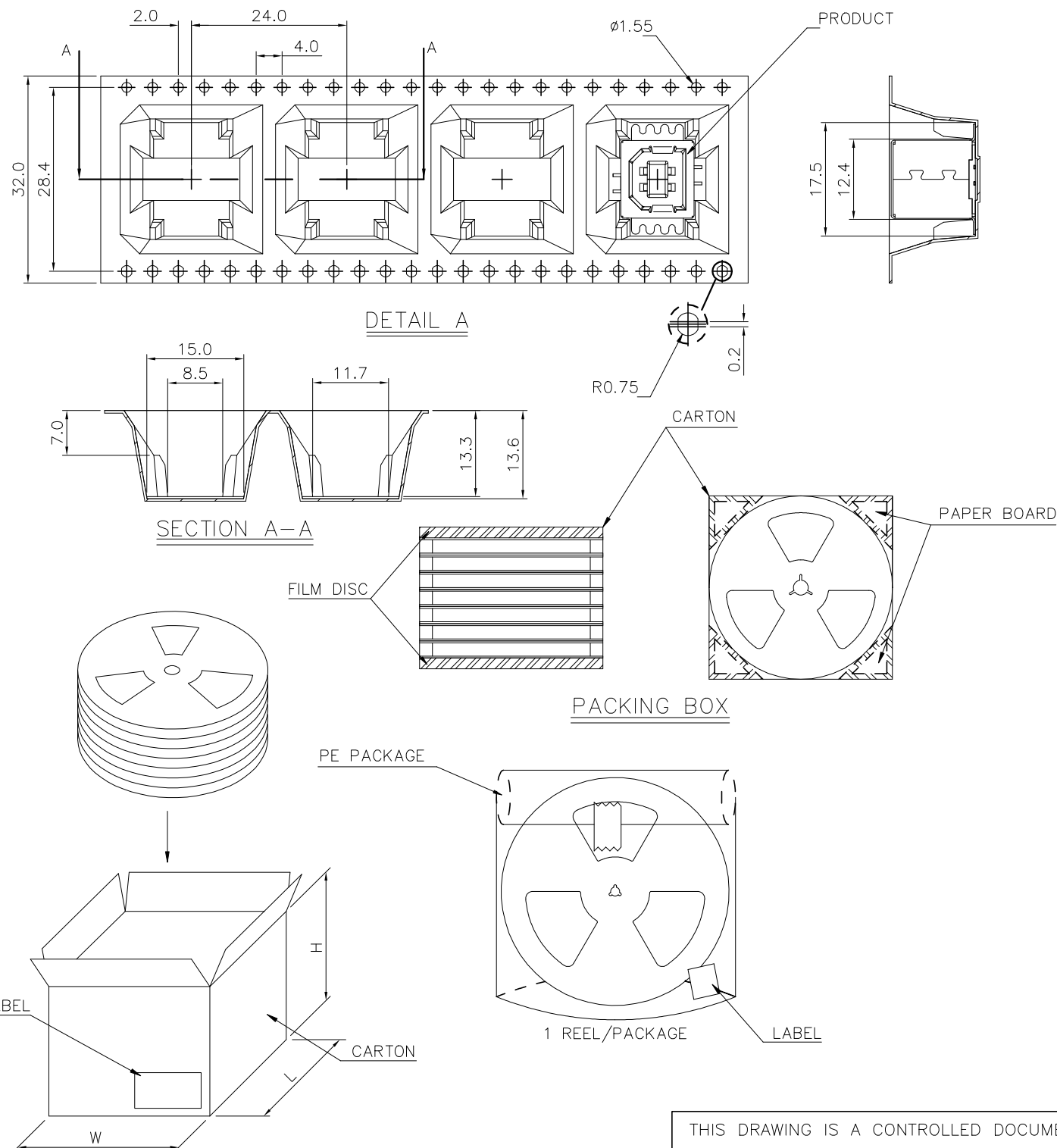
-- --

REVISIONS

© COPYRIGHT - TE Connectivity Ltd.

ALL RIGHTS RESERVED.

P	LTR	DESCRIPTION	DATE	DWN	APVD
-	-	SEE SHEET 1	-	-	-



- NOTES :
- MATERIAL :
 - EMBOSSED CARRIER: PS.
 - COVER: PET.
 - CARTON: K=A.
 - DIMENSION :
 - REEL: W=32.0.
 - CARTON: L=348, W=348, H=340.
 - QUANTITY :
 - PRIMARY PACKING: 200PCS/REEL.
 - SECONDARY PACKING: 8 REEL/CARTON(1,600PCS).
 - WEIGHT :
 - NET WEIGHT: 8.0kg/CARTON.
 - GROSS WEIGHT: 9.0kg/CARTON.
 - PEELING RESISTANCE: 10g~130g.

THIS DRAWING IS A CONTROLLED DOCUMENT.		DWN	20MAR2019		STE TE Connectivity Ltd.
		CHK			
DIMENSIONS: mm		APVD			NAME USB B TYPE, TOP ENTRY, 4 POSITION, SMT TYPE
TOLERANCES UNLESS OTHERWISE SPECIFIED: 0 PLC ± - 1 PLC ± - 2 PLC ± - 3 PLC ± - 4 PLC ± - ANGLES ± -		PRODUCT SPEC			
MATERIAL		APPLICATION SPEC			SIZE
FINISH		WEIGHT	A3 00779 C=1734517		CAGE CODE
		CUSTOMER DRAWING	SCALE N/A		DRAWING NO
			SHEET 3 OF 3		RESTRICTED TO
			REV B2		

X-ON Electronics

Largest Supplier of Electrical and Electronic Components

Click to view similar products for [USB Connectors](#) category:

Click to view products by [TE Connectivity](#) manufacturer:

Other Similar products are found below :

[65-647-8-BK-BU](#) [950](#) [952](#) [E8144-B01021-L](#) [A-USB B-TOP-C](#) [MUSBA511N5](#) [MUSBD11135](#) [217450-1](#) [CA 6 W LD](#) [KMBVX-TH-5S-B30](#)
[896-30-004-00-000000](#) [KUSBVX-BS1N-W30](#) [KUSBX-AP-KIT-SCBLK](#) [KUSBX-AS2N-W](#) [KUSBX-SMT2AP1S-W](#) [KUSBX-SMT2AP1S-](#)
[W30](#) [935](#) [957](#) [30-498-6](#) [17-210051](#) [1734082-1](#) [30-1574](#) [30-470](#) [30-489](#) [30-541](#) [30-572-3](#) [MAB 8 SN V](#) [A-USB A-2P-C](#) [MIKROE-1451](#)
[USBFTV2PEM2G](#) [USBFTVC6ZN](#) [KUSBX-AS2N-W30](#) [KUSBX-SLAS1N-W](#) [KUSBX-SMT-AS1N-W30](#) [4689-1](#) [1-1734084-2](#) [E8110-001-](#)
[01](#) [33UBARS1-04SW11](#) [33UBAR-04SW11](#) [USBF21ZNSCC](#) [USBBFTV6ZC](#) [MUSBB151341](#) [10135326-001LF](#) [M9177/3-1](#) [USB-A-S-F-B-](#)
[VT](#) [925](#) [4198](#) [690-024-633-031](#) [KUSBEX-BSFS1N-W](#) [USBFTVC6MRG](#)