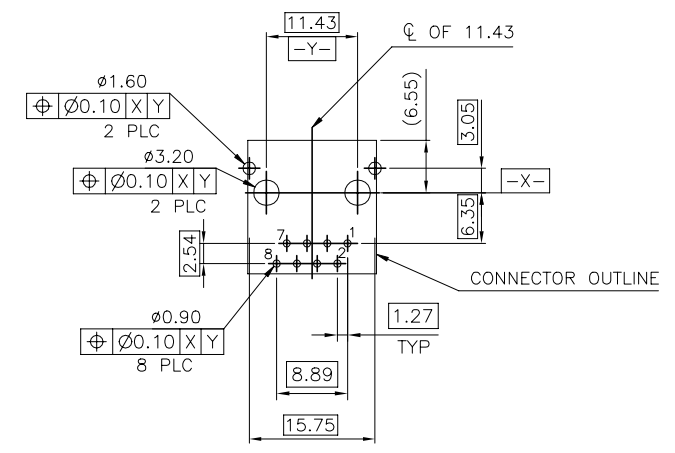
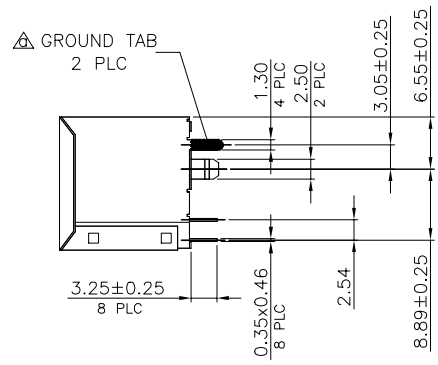
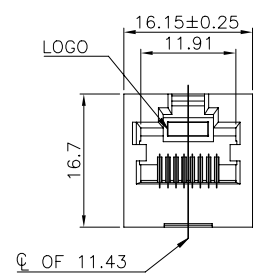


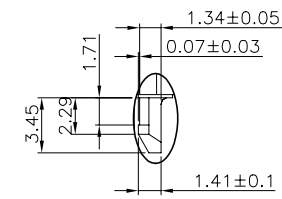
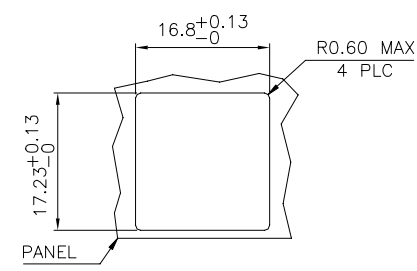
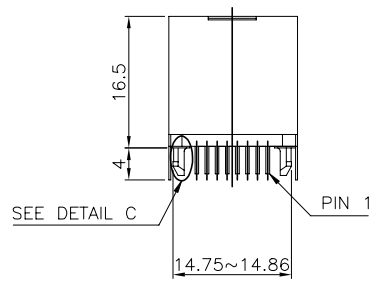
THIS DRAWING IS UNPUBLISHED. RELEASED FOR PUBLICATION
 © COPYRIGHT - By - ALL RIGHTS RESERVED.

REVISIONS					
P	LTR	DESCRIPTION	DATE	DWN	APVD
-	-	SEE SHEET 1	-	-	-

MODULAR JACK WITHOUT LED



RECOMMENDED PCB LAYOUT
 TOLERANCE: ±0.05 (TOP VIEW)



- NOTE:
- MATERIAL:
 HOUSING: PA46, WITH 30% GF, UL94 V-0, BLACK COLOR.
 CONTACTS: PHOSPHOR BRONZE.
 SHELL: BRASS.
 - FINISH:
 CONTACTS: (SEE TABLE) GOLD PLATED ON CONTACT AREA,
 GOLD FLASH ON SOLDER TAIL,
 WITH ENTIRE CONTACT UNDERPLATED
 1.27µm [50µ"] MIN. NICKEL.
 SHELL: 0.508µm [20µ"] MIN. NICKEL PLATED.
 POST DIPPED WITH TIN ON PCB GROUND TABS.
 - WAVE SOLDER CAPABLE TO 265°C PER TE SPEC 109-202, CONDITION B.
 - OBSOLETE PARTS: OBSOLETE CIS STREAMLINING PER D.RENAUD/D.SINISI

1.27µm [50µ"]	3-1734577-5
1.27µm [50µ"]	3-1734577-4
0.762µm [30µ"]	3-1734577-3
0.381µm [15µ"]	3-1734577-2
0.152µm [6µ"]	3-1734577-1
MIN. GOLD THICKNESS	PART NUMBER

DIMENSIONS:		TOLERANCES UNLESS OTHERWISE SPECIFIED:		THIS DRAWING IS A CONTROLLED DOCUMENT.		DWN		21JUL2009	
mm		0 PLC	±	E. HSING		CHK		21JUL2009	
		1 PLC	±0.3	S. CHIEN		APVD		21JUL2009	
		2 PLC	±0.2	W. KODAMA		NAME		-	
		3 PLC	±0.15	108-57527		PRODUCT SPEC		-	
		4 PLC	±	APPLICATION SPEC		SIZE		CAGE CODE	
MATERIAL		FINISH		WEIGHT		DRAWING NO		RESTRICTED TO	
SEE NOTE		SEE NOTE		6.7 GRAMS		A3 00779		G=1734577	
SEE NOTE		SEE NOTE		CUSTOMER DRAWING		SCALE		SHEET	
SEE NOTE		SEE NOTE		CUSTOMER DRAWING		1:1		2 of 6	
SEE NOTE		SEE NOTE		CUSTOMER DRAWING		SCALE		REV	
SEE NOTE		SEE NOTE		CUSTOMER DRAWING		1:1		D1	



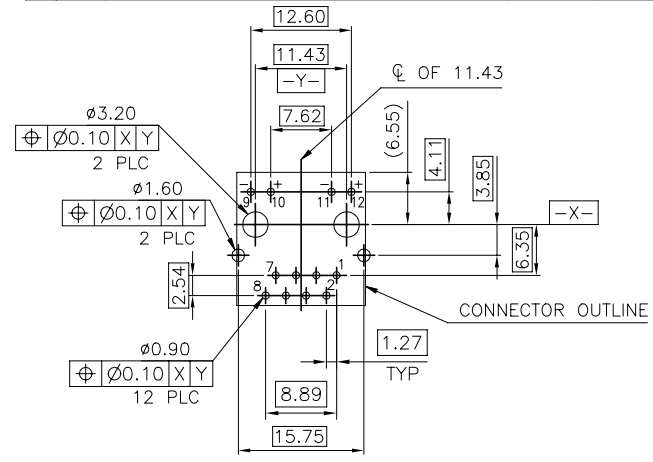
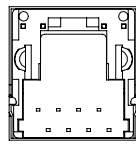
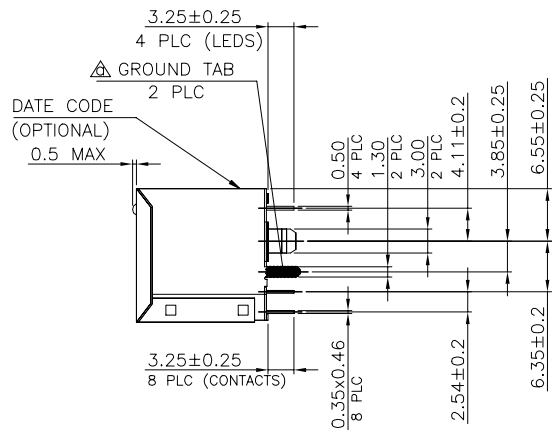
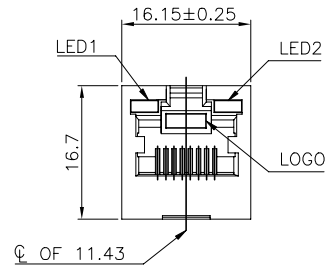
MODULAR JACK CONNECTOR
 RJ45, 8P8C, VERTICAL, DIP TYPE.

THIS DRAWING IS UNPUBLISHED. RELEASED FOR PUBLICATION
 © COPYRIGHT - By - ALL RIGHTS RESERVED.

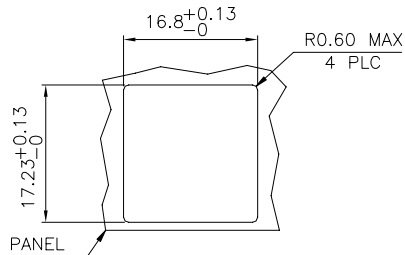
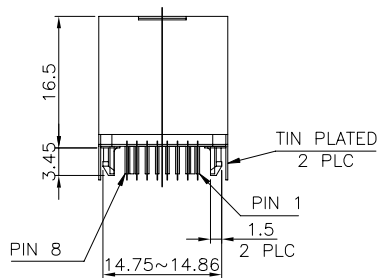
REVISIONS				
P	LTR	DESCRIPTION	DATE	APVD
-	-	SEE SHEET 1	-	-

LED SCHEMATIC	
LED1	LED2
GREEN	YELLOW
9- ← +10	11- ← +12

MODULAR JACK WITH LED



RECOMMENDED PCB LAYOUT
 TOLERANCE: ±0.05 (TOP VIEW)



RECOMMENDED SUGGESTED PANEL CUTOUT

- NOTE:
- MATERIAL:
 - HOUSING: PA46, WITH 30% GF, UL94 V-0, BLACK COLOR.
 - CONTACTS: PHOSPHOR BRONZE.
 - SHELL: BRASS.
 - LED SOLDER TAIL: STEEL.
 - FINISH:
 - CONTACTS: (SEE TABLE) GOLD PLATED ON CONTACT AREA, GOLD FLASH ON SOLDER TAIL AREA, 1.27µm [50u"] MIN. NICKEL UNDERPLATING OVERALL. SHELL: 0.508µm [20µ"] MIN. NICKEL PLATED.
 - a POST DIPPED WITH TIN ON PCB GROUND TABS.
 - LED SOLDER TAIL: 2.032µm [80µ"] MIN. BRIGHT-TIN PLATED.
 - LED MUST BE REFLOW COMPATIBLE TO FOLLOWING TEMPERATURE PROFILE (FOR 1 CYCLE): ABOVE 160°C FOR 120 SECONDS, PEAKING AT 245°C FOR 20~40 SECONDS.
 - LED DEFECT RATE IS 6000PPM MAX. AFTER IR REFLOW PROCESS AS NOTE 3.
 - WAVE SOLDER CAPABLE TO 265°C PER TE SPEC 109-202, CONDITION B.
 - OBSOLETE PARTS: OBSOLETE CIS STREAMLINING PER D.RENAUD/D.SINISI

YELLOW	GREEN	0.762µm [30µ"]	7-1734577-3
LED2	LED1	MIN. GOLD THICKNESS	PART NUMBER
INDICATOR COLOR			

THIS DRAWING IS A CONTROLLED DOCUMENT.		DWN B. HSING 21JUL2009	TE Connectivity	
DIMENSIONS: mm		CHK S. CHIEN 21JUL2009	NAME MODULAR JACK CONNECTOR RJ45, 8P8C, VERTICAL, DIP TYPE.	
TOLERANCES UNLESS OTHERWISE SPECIFIED:		APVD W. KODAMA 21JUL2009	SIZE A3	
0 PLC ±		PRODUCT SPEC	CAGE CODE 00779	DRAWING NO 1734577
1 PLC ±0.3		APPLICATION SPEC	RESTRICTED TO	
2 PLC ±0.2		WEIGHT	SCALE 1:1	SHEET 3 of 6
3 PLC ±0.15		CUSTOMER DRAWING	REV D1	
4 PLC ±				
ANGLES ±3°				
MATERIAL SEE NOTE	FINISH SEE NOTE			

4

3

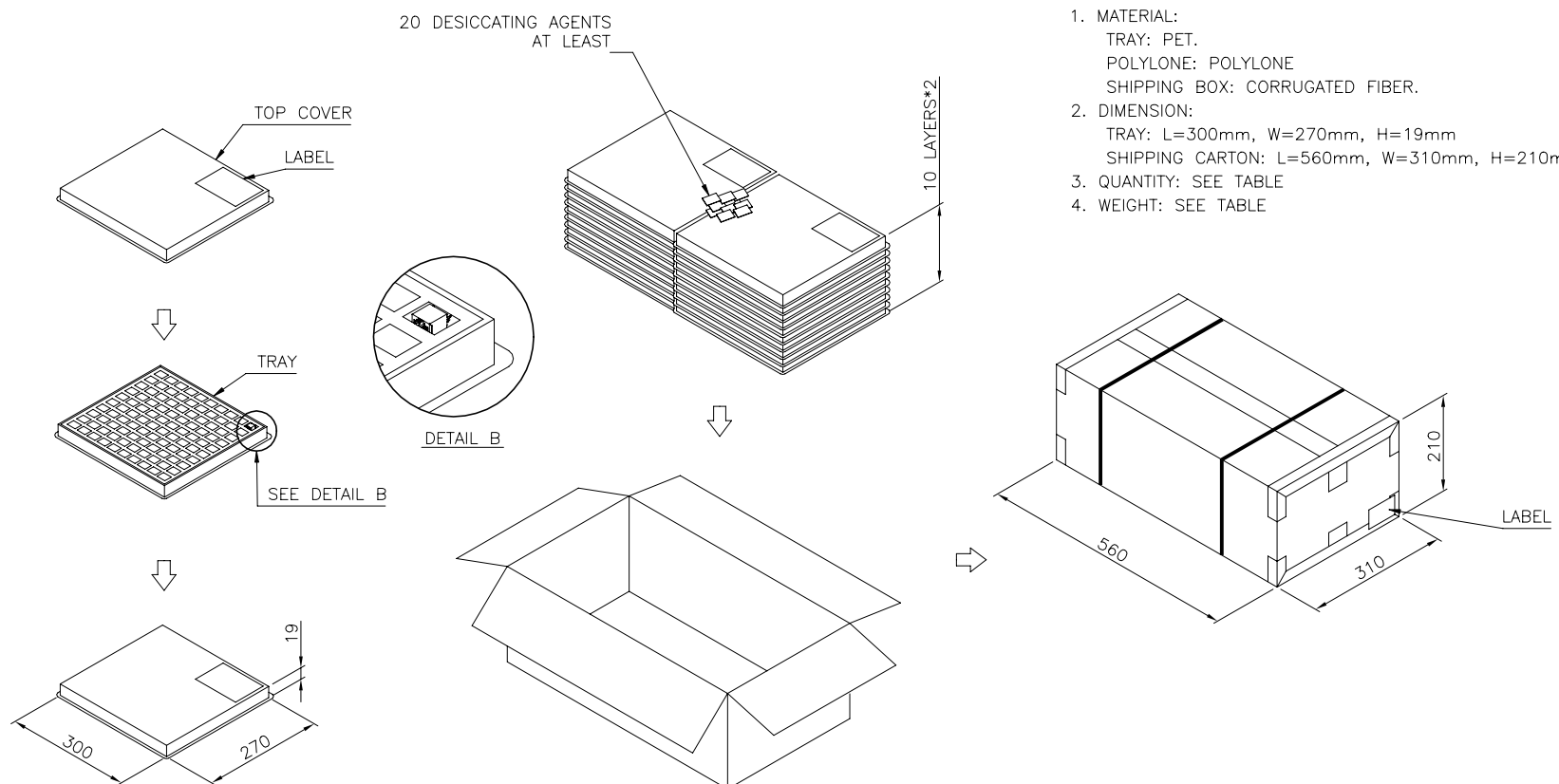
2

1

THIS DRAWING IS UNPUBLISHED. RELEASED FOR PUBLICATION
 © COPYRIGHT - By - ALL RIGHTS RESERVED.

REVISIONS					
P	LTR	DESCRIPTION	DATE	DWN	APVD
-	-	SEE SHEET 1	-	-	-

- NOTES:
- MATERIAL:
 TRAY: PET.
 POLYLONE: POLYLONE
 SHIPPING BOX: CORRUGATED FIBER.
 - DIMENSION:
 TRAY: L=300mm, W=270mm, H=19mm
 SHIPPING CARTON: L=560mm, W=310mm, H=210mm
 - QUANTITY: SEE TABLE
 - WEIGHT: SEE TABLE



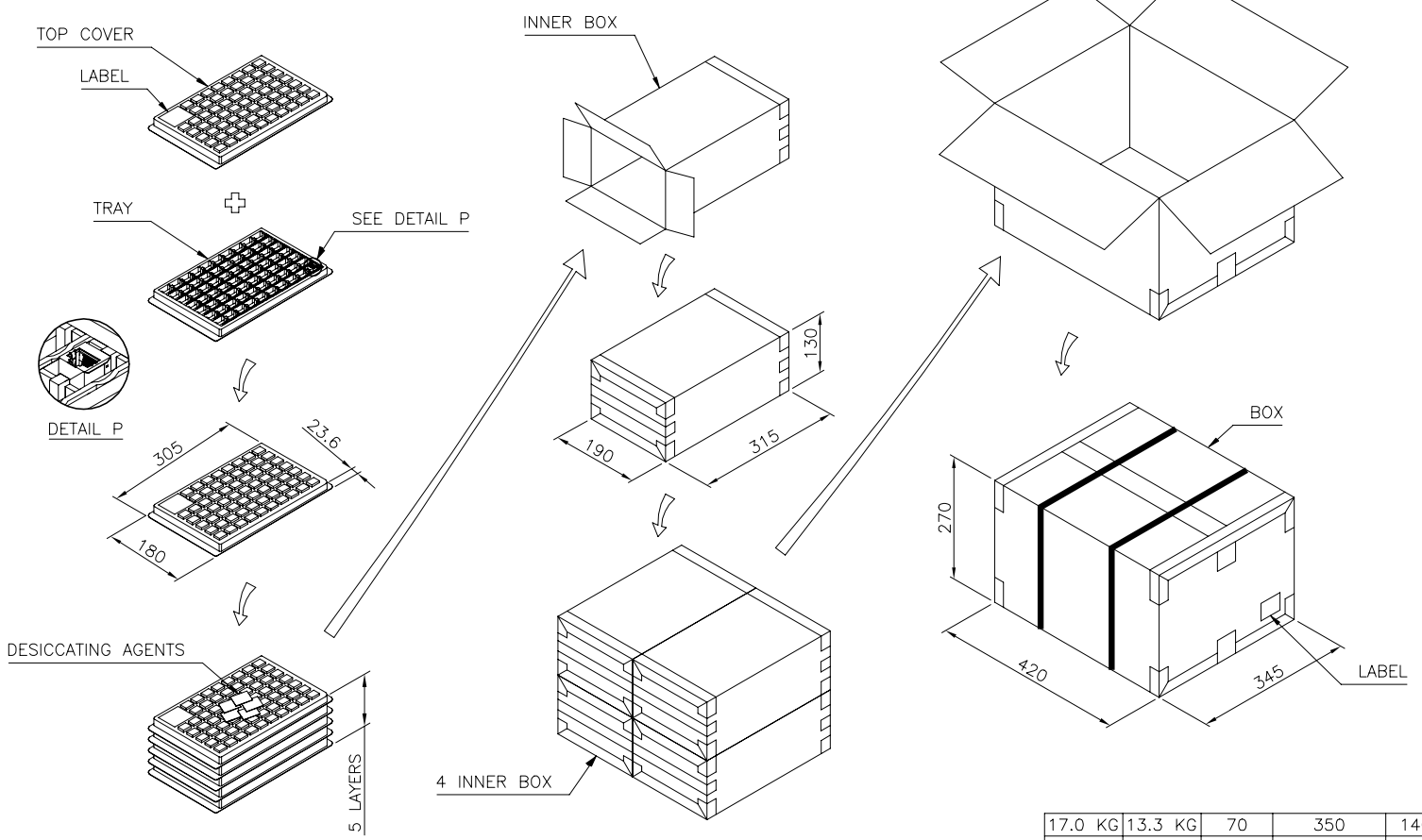
15 KG	13.3 KG	100	20	2000
GROSS WEIGHT	NET WEIGHT	PCS/TRAY	TRAY/BOX	PCS/BOX

THIS DRAWING IS A CONTROLLED DOCUMENT.		DWN B. HSING 21JUL2009	TE Connectivity	
		CHK S. CHIEN 21JUL2009		
		APVD W. KODAMA 21JUL2009		
DIMENSIONS: mm 		PRODUCT SPEC APPLICATION SPEC WEIGHT		NAME MODULAR JACK CONNECTOR RJ45, 8P8C, VERTICAL, DIP TYPE.
TOLERANCES UNLESS OTHERWISE SPECIFIED: 0 PLC ± - 1 PLC ± 0.3 2 PLC ± 0.2 3 PLC ± 0.15 4 PLC ± - ± 3' ANGLES		FINISH SEE NOTE		RESTRICTED TO SIZE CAGE CODE DRAWING NO A3 00779 C=1734577
MATERIAL SEE NOTE		CUSTOMER DRAWING		SCALE 1:1 SHEET 4 OF 6 REV D1

THIS DRAWING IS UNPUBLISHED. RELEASED FOR PUBLICATION
 © COPYRIGHT - By - ALL RIGHTS RESERVED.

REVISIONS					
P	LTR	DESCRIPTION	DATE	DWN	APVD
-	-	SEE SHEET 1	-	-	-

PACKAGE ONLY FOR 6-1734577-3



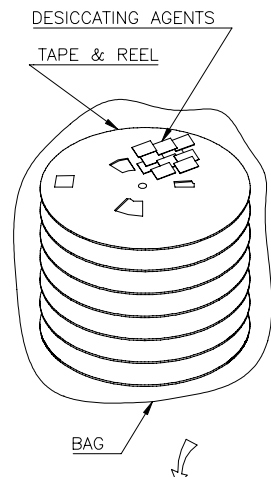
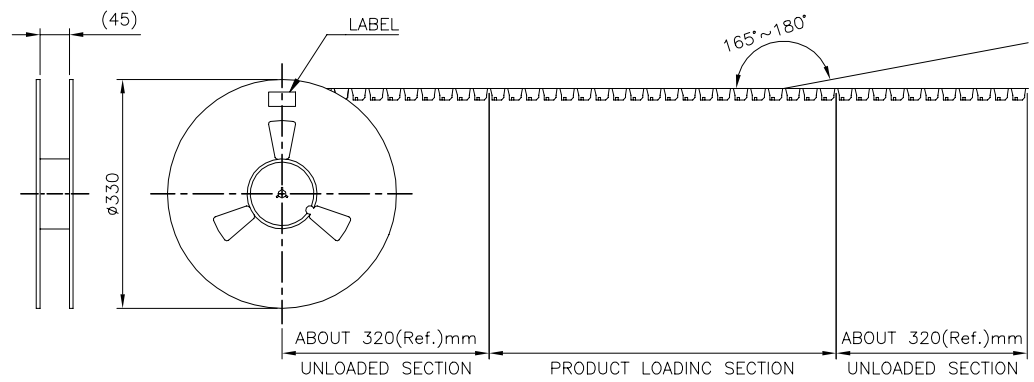
- NOTES:
- MATERIAL:
 TRAY: PET.
 POLYLONE: POLYLONE
 BOX: CORRUGATED FIBER.
 - DIMENSION:
 TRAY: L=308mm, W=180mm, H=23.6mm
 INNER BOX: L=315mm, W=190mm, H=130mm
 BOX: L=420mm, W=345mm, H=275mm
 - QUANTITY: SEE TABLE
 - WEIGHT: SEE TABLE

17.0 KG	13.3 KG	70	350	1400	6-1734577-3
GROSS WEIGHT	NET WEIGHT	PCS/TRAY	TRAY/INNER BOX	PCS/BOX	PART NUMBER

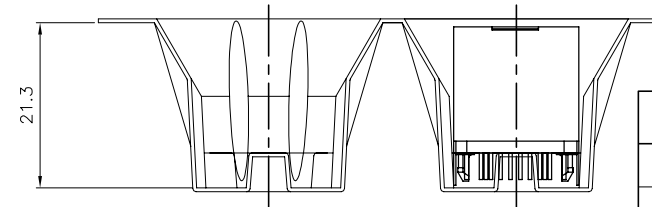
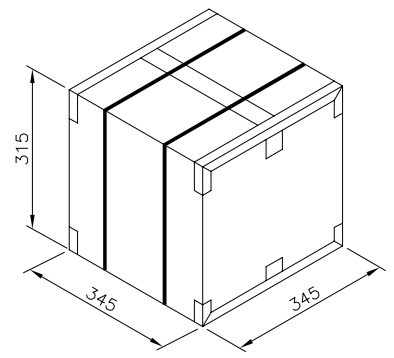
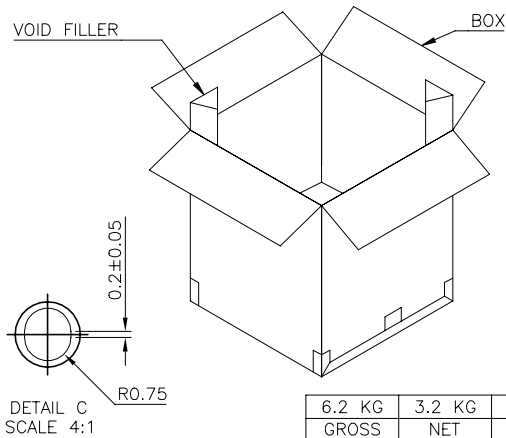
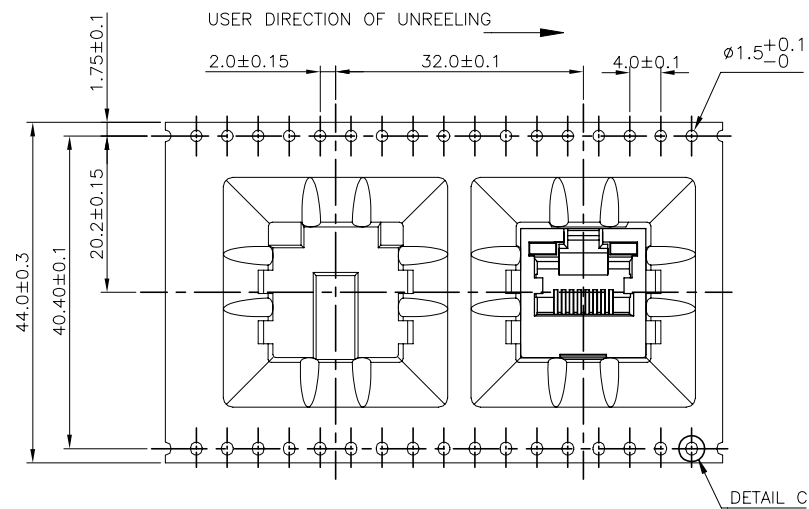
THIS DRAWING IS A CONTROLLED DOCUMENT.		DWN E. HSING 21JUL2009	TE Connectivity MODULAR JACK CONNECTOR RJ45, 8P8C, VERTICAL, DIP TYPE.			
DIMENSIONS: mm		CHK S. CHIEN 21JUL2009				
TOLERANCES UNLESS OTHERWISE SPECIFIED: 0 PLC ± - 1 PLC ± 0.3 2 PLC ± 0.2 3 PLC ± 0.15 4 PLC ± - ANGLES ± 3°		APVD W. KODAMA 21JUL2009				
MATERIAL SEE NOTE		FINISH SEE NOTE				
APPROVALS: APPLICATION SPEC		NAME	SIZE	CAGE CODE	DRAWING NO	RESTRICTED TO
WEIGHT		WEIGHT	A3	00779	G=1734577	-
CUSTOMER DRAWING			SCALE	1:1	SHEET	5 of 6
			REV	D1		

THIS DRAWING IS UNPUBLISHED. RELEASED FOR PUBLICATION
 © COPYRIGHT - By - ALL RIGHTS RESERVED.

REVISIONS					
P	LTR	DESCRIPTION	DATE	DWN	APVD
-	-	SEE SHEET 1	-	-	-



- NOTE:
- PACKAGING MATERIAL:
 - COVER TAPE: COMPOSITE OF POLYETHYLENE TEREPHTHALATE (PET)
 - CARRIER: POLYSTYRENE (PS)
 - CARRIER REEL: POLYSTYRENE
 - BAG: PET
 - BOX: CORRUGATED FIBER.
 - EACH BAG SHALL BE INCLUDED: *DESICCANT
 - PEELING STRENGTH: 0.1~1.3N(1~130 GRAMS) FOR 12~56mm WIDE CARRIER TAPES
 - PEELING SPEED: 300mm/MINUTES.



6.2 KG	3.2 KG	80	6	480	8-1734577-1
GROSS WEIGHT	NET WEIGHT	PCS/ REEL	REEL/ BOX	PCS/ BOX	PART NUMBER

THIS DRAWING IS A CONTROLLED DOCUMENT.		DWN E. HSING 21JUL2009	TE Connectivity		
DIMENSIONS: mm		CHK S. CHIEN 21JUL2009			
TOLERANCES UNLESS OTHERWISE SPECIFIED:		APVD W. KODAMA 21JUL2009	NAME		
0 PLC ± - 1 PLC ± 0.3 2 PLC ± 0.2 3 PLC ± 0.15 4 PLC ± - ANGLES ± 3°		PRODUCT SPEC 108-57527		MODULAR JACK CONNECTOR RJ45, 8P8C, VERTICAL, DIP TYPE.	
MATERIAL SEE NOTE		APPLICATION SPEC		SIZE A3	RESTRICTED TO
FINISH SEE NOTE		WEIGHT 0.000000		CAGE CODE 00779	DRAWING NO. C=1734577
		CUSTOMER DRAWING		SCALE 1:1	SHEET 6 OF 6
				REV D1	

X-ON Electronics

Largest Supplier of Electrical and Electronic Components

Click to view similar products for [Modular Connectors / Ethernet Connectors](#) category:

Click to view products by [TE Connectivity](#) manufacturer:

Other Similar products are found below :

[8949-H88/06BLKA/SN](#) [74441-0010/BKN](#) [MP1010RX-1000](#) [MP44RX-1000](#) [PHJ-4P4C-1-V-4](#) [PHP-6P6C-5](#) [GAX-3-66](#) [GAX-8-62](#) [GDCX-PA-66-50](#) [GDCX-PN-64](#) [GDCX-PN-66](#) [GDCX-PN-66-50](#) [GDLX-A-66](#) [GDLX-N-66](#) [GDLX-S-66](#) [GDLX-S-88K](#) [GDLX-SMT-S-88](#) [GDTX-S-88-50](#) [GDX-PA-1010](#) [GLX-N-1010M-BLK](#) [GLX-S-88M-BLK](#) [GMX-N-1010](#) [GMX-S-1010](#) [GMX-S-66](#) [GMX-SMT4-N-88](#) [GPX-2-64](#) [GSGX-N-2-88](#) [GSGX-N-4-88](#) [GSX-NS2-88-3.05](#) [GSX-NS2-88-3.05-50](#) [GSX-NS-88-3.05-50](#) [PT-108A-8C-UL](#) [PT-J951-8C](#) [PTS-J531-8CS-50UL](#) [1-1775629-2](#) [A-2014-0-4](#) [GWLX-S-88-GR](#) [GWLX-S9-88-YG](#) [DC-1021-8-WH-6](#) [1300530003](#) [1324640-4](#) [RJ11FTVC2G](#) [RJ11FTVC2N](#) [RJFTVX2SA1G](#) [132764-001](#) [1413235](#) [MP88X-1000](#) [MPS88RX-5000](#) [E5288-S000K3-L](#) [E5908-15A242-L](#)