

THIS DRAWING IS UNPUBLISHED. RELEASED FOR PUBLICATION  
 © COPYRIGHT - By - ALL RIGHTS RESERVED.

REVISIONS				
P	LTR	DESCRIPTION	DATE	APVD
D	ECO-19-013748		10SEP2019	RR SH

LED SCHEMATIC	
LED1	LED2
GREEN	YELLOW
9-  +10	11-  +12
FOR 1734577-X	

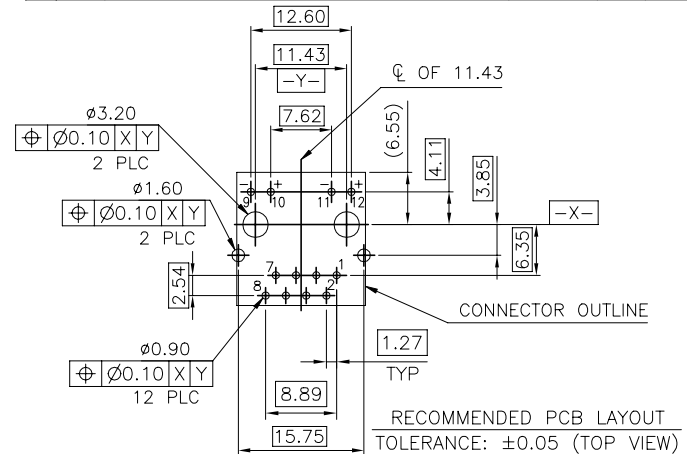
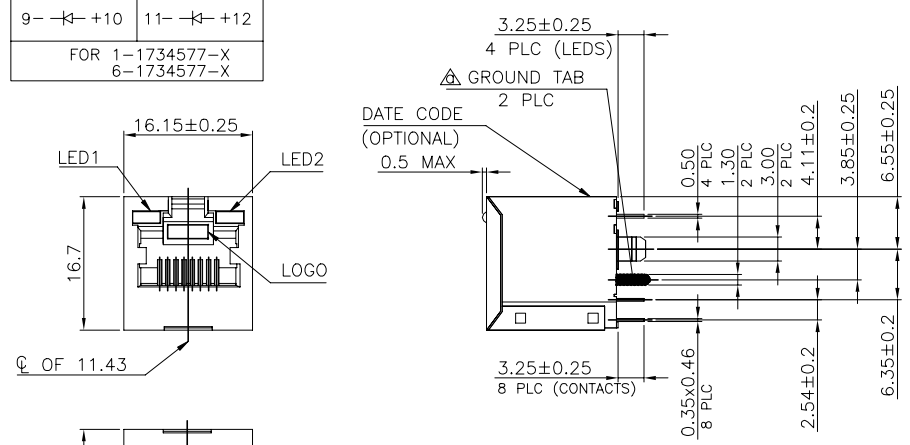
LED SCHEMATIC	
LED1	LED2
GREEN	GREEN
9-  +10	11-  +12
FOR 1-1734577-X 6-1734577-X	

LED SCHEMATIC	
LED1	LED2
RED	RED
GREEN	GREEN
9-  +10	11-  +12
FOR 2-1734577-X	

LED SCHEMATIC	
LED1	LED2
YELLOW	GREEN
ORANGE	
9-  +10	11-  +12
FOR 4-1734577-1	

LED SCHEMATIC	
LED1	LED2
RED	RED
YELLOW	GREEN
9-  +10	11-  +12
FOR 5-1734577-X	

### MODULAR JACK WITH LED



PA9T	WITH	GREEN	GREEN	0.152µm [6µ"]	8-1734577-1
OBSOLETE	WITH	RED/ GREEN	RED/ YELLOW	1.27µm [50µ"]	5-1734577-4
		GREEN/ ORANGE	YELLOW	0.762µm [30µ"]	4-1734577-1
		RED/ GREEN	RED/ GREEN	1.27µm [50µ"]	2-1734577-4
OBSOLETE	WITH	RED/ GREEN	RED/ GREEN	0.762µm [30µ"]	2-1734577-3
				0.381µm [15µ"]	2-1734577-2
				0.152µm [6µ"]	2-1734577-1
OBSOLETE	WITHOUT	GREEN	GREEN	0.762µm [30µ"]	6-1734577-3
				1.27µm [50µ"]	1-1734577-4
				0.762µm [30µ"]	1-1734577-3
OBSOLETE	WITH	GREEN	GREEN	0.381µm [15µ"]	4-1734577-2
				0.152µm [6µ"]	1-1734577-1
				1.27µm [50µ"]	1734577-4
OBSOLETE	WITH	YELLOW	GREEN	0.762µm [30µ"]	1734577-3
				0.381µm [15µ"]	1734577-2
				0.152µm [6µ"]	1734577-1

- NOTE:
- MATERIAL:
    - HOUSING: (SEE TABLE), WITH 30% GF, UL94 V-0, BLACK COLOR.
    - CONTACTS: PHOSPHOR BRONZE.
    - SHELL: BRASS.
    - LED SOLDER TAIL: STEEL.
  - FINISH:
    - CONTACTS: (SEE TABLE) GOLD PLATED ON CONTACT AREA, GOLD FLASH ON SOLDER TAIL AREA, 1.27µm [50µ"] MIN. NICKEL UNDERPLATING OVERALL. SHELL: 0.508µm [20µ"] MIN. NICKEL PLATED.
      - POST DIPPED WITH TIN ON PCB GROUND TABS.
      - LED SOLDER TAIL: 2.032µm [80µ"] MIN. BRIGHT-TIN PLATED.
  - LED MUST BE REFLOW COMPATIBLE TO FOLLOWING TEMPERATURE PROFILE (FOR 1 CYCLE): ABOVE 160°C FOR 120 SECONDS, PEAKING AT 245°C FOR 20~40 SECONDS.
  - LED DEFECT RATE IS 6000PPM MAX. AFTER IR REFLOW PROCESS AS NOTE 3.
  - WAVE SOLDER CAPABLE TO 265°C PER TE SPEC 109-202, CONDITION B.
  - OBSOLETE PARTS: OBSOLETE CIS STREAMLINING PER D.RENAUD/D.SINISI

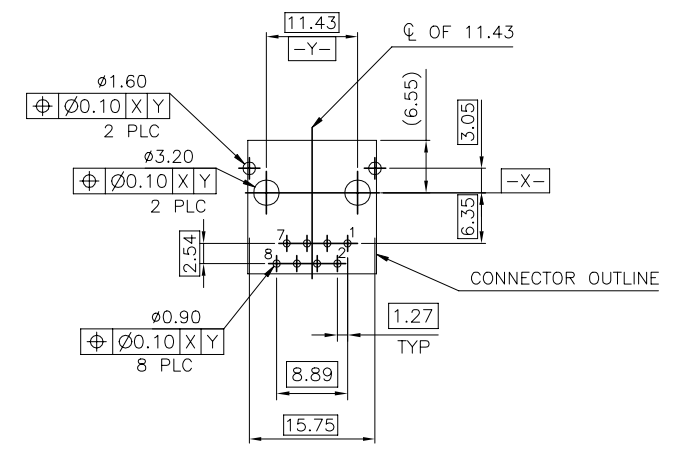
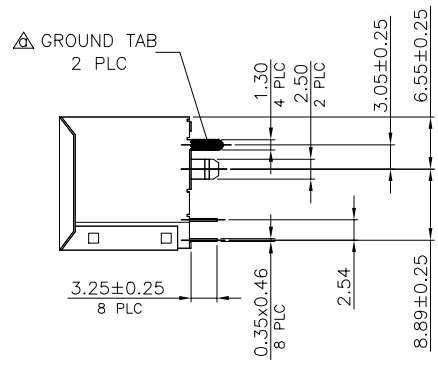
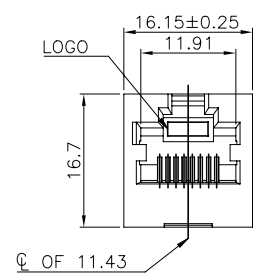
### RECOMMENDED SUGGESTED PANEL CUTOUT

THIS DRAWING IS A CONTROLLED DOCUMENT.		DWN E. HSING 21JUL2009	TE Connectivity	
		CHK S. CHIEN 21JUL2009		
		APVD W. KODAMA 21JUL2009	NAME MODULAR JACK CONNECTOR RJ45, 8P8C, VERTICAL, DIP TYPE.	
DIMENSIONS: mm		PRODUCT SPEC 108-57527		RESTRICTED TO
TOLERANCES UNLESS OTHERWISE SPECIFIED: 0 PLC ± 1 PLC ±0.3 2 PLC ±0.2 3 PLC ±0.15 4 PLC ± ANGLES ±3°		APPLICATION SPEC		
MATERIAL SEE NOTE		WEIGHT 6.55 GRAMS		SIZE A3
		CUSTOMER DRAWING		CAGE CODE 00779
				DRAWING NO 1734577
				SCALE 1:1
				SHEET 1 OF 6
				REV D1

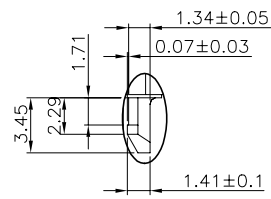
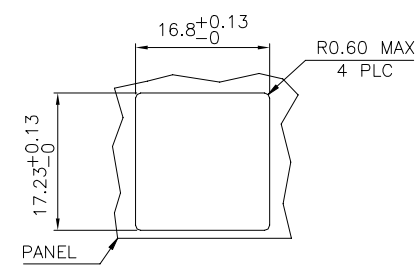
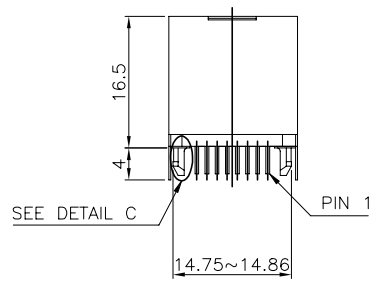
THIS DRAWING IS UNPUBLISHED. RELEASED FOR PUBLICATION  
 © COPYRIGHT - By - ALL RIGHTS RESERVED.

REVISIONS					
P	LTR	DESCRIPTION	DATE	DWN	APVD
-	-	SEE SHEET 1	-	-	-

MODULAR JACK WITHOUT LED



RECOMMENDED PCB LAYOUT  
 TOLERANCE: ±0.05 (TOP VIEW)



NOTE:

- MATERIAL:  
 HOUSING: PA46, WITH 30% GF, UL94 V-0, BLACK COLOR.  
 CONTACTS: PHOSPHOR BRONZE.  
 SHELL: BRASS.
- FINISH:  
 CONTACTS: (SEE TABLE) GOLD PLATED ON CONTACT AREA,  
 GOLD FLASH ON SOLDER TAIL,  
 WITH ENTIRE CONTACT UNDERPLATED  
 1.27µm [50µ"] MIN. NICKEL.  
 SHELL: 0.508µm [20µ"] MIN. NICKEL PLATED.  
 POST DIPPED WITH TIN ON PCB GROUND TABS.
- WAVE SOLDER CAPABLE TO 265°C PER TE SPEC 109-202, CONDITION B.
- OBSOLETE PARTS: OBSOLETE CIS STREAMLINING PER D.RENAUD/D.SINISI

1.27µm [50µ"]	3-1734577-5
1.27µm [50µ"]	3-1734577-4
0.762µm [30µ"]	3-1734577-3
0.381µm [15µ"]	3-1734577-2
0.152µm [6µ"]	3-1734577-1
MIN. GOLD THICKNESS	PART NUMBER

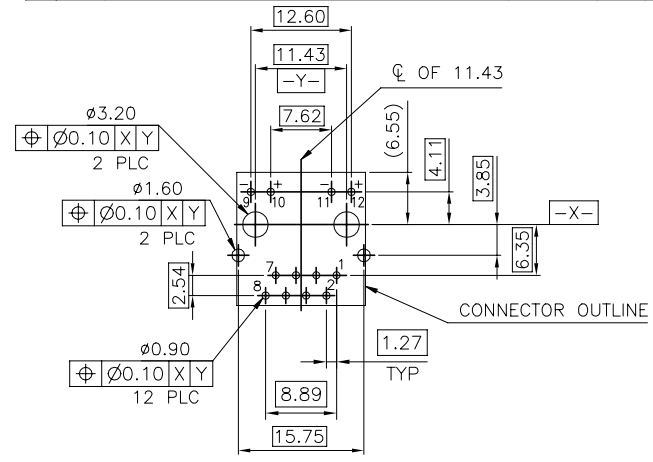
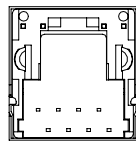
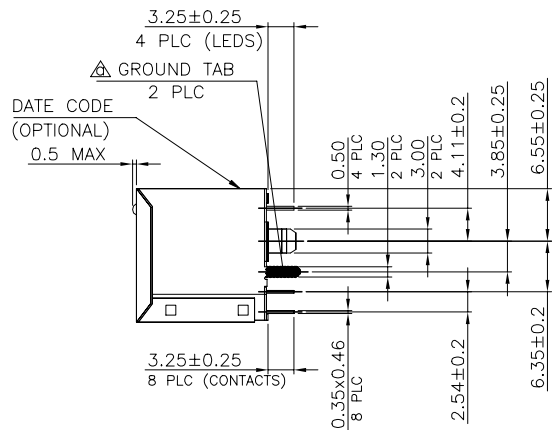
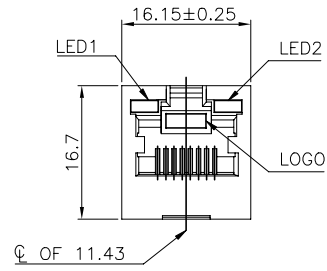
DIMENSIONS:		TOLERANCES UNLESS OTHERWISE SPECIFIED:		THIS DRAWING IS A CONTROLLED DOCUMENT.		DWN		21JUL2009	
mm		0 PLC	±	CHK	B. HSING	TE Connectivity			
		1 PLC	±0.3	APVD	S. CHIEN				
		2 PLC	±0.2	APVD	W. KODAMA				
		3 PLC	±0.15	NAME		MODULAR JACK CONNECTOR			
		4 PLC	±	PRODUCT SPEC		RJ45, 8P8C, VERTICAL, DIP TYPE.			
		ANGLES	±3'	APPLICATION SPEC		-			
MATERIAL		FINISH		WEIGHT		SIZE	CAGE CODE	DRAWING NO	RESTRICTED TO
SEE NOTE		SEE NOTE		6.7 GRAMS		A3	00779	G=1734577	-
CUSTOMER DRAWING						SCALE	1:1	SHEET	2 OF 6
						REV	D1		

THIS DRAWING IS UNPUBLISHED. RELEASED FOR PUBLICATION  
 © COPYRIGHT - By - ALL RIGHTS RESERVED.

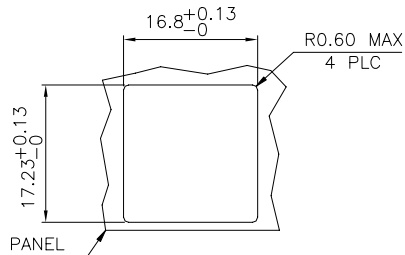
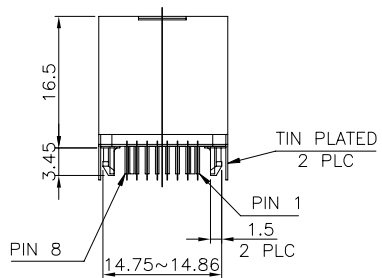
REVISIONS					
P	LTR	DESCRIPTION	DATE	DWN	APVD
-	-	SEE SHEET 1	-	-	-

LED SCHEMATIC	
LED1	LED2
GREEN	YELLOW
9- ← +10	11- ← +12

MODULAR JACK WITH LED



RECOMMENDED PCB LAYOUT  
 TOLERANCE: ±0.05 (TOP VIEW)



RECOMMENDED SUGGESTED PANEL CUTOUT

- NOTE:
- MATERIAL:
    - HOUSING: PA46, WITH 30% GF, UL94 V-0, BLACK COLOR.
    - CONTACTS: PHOSPHOR BRONZE.
    - SHELL: BRASS.
    - LED SOLDER TAIL: STEEL.
  - FINISH:
    - CONTACTS: (SEE TABLE) GOLD PLATED ON CONTACT AREA, GOLD FLASH ON SOLDER TAIL AREA, 1.27µm [50u"] MIN. NICKEL UNDERPLATING OVERALL. SHELL: 0.508µm [20µ"] MIN. NICKEL PLATED.
      - POST DIPPED WITH TIN ON PCB GROUND TABS.
      - LED SOLDER TAIL: 2.032µm [80µ"] MIN. BRIGHT-TIN PLATED.
  - LED MUST BE REFLOW COMPATIBLE TO FOLLOWING TEMPERATURE PROFILE (FOR 1 CYCLE): ABOVE 160°C FOR 120 SECONDS, PEAKING AT 245°C FOR 20~40 SECONDS.
  - LED DEFECT RATE IS 6000PPM MAX. AFTER IR REFLOW PROCESS AS NOTE 3.
  - WAVE SOLDER CAPABLE TO 265°C PER TE SPEC 109-202, CONDITION B.
  - OBSOLETE PARTS: OBSOLETE CIS STREAMLINING PER D.RENAUD/D.SINISI

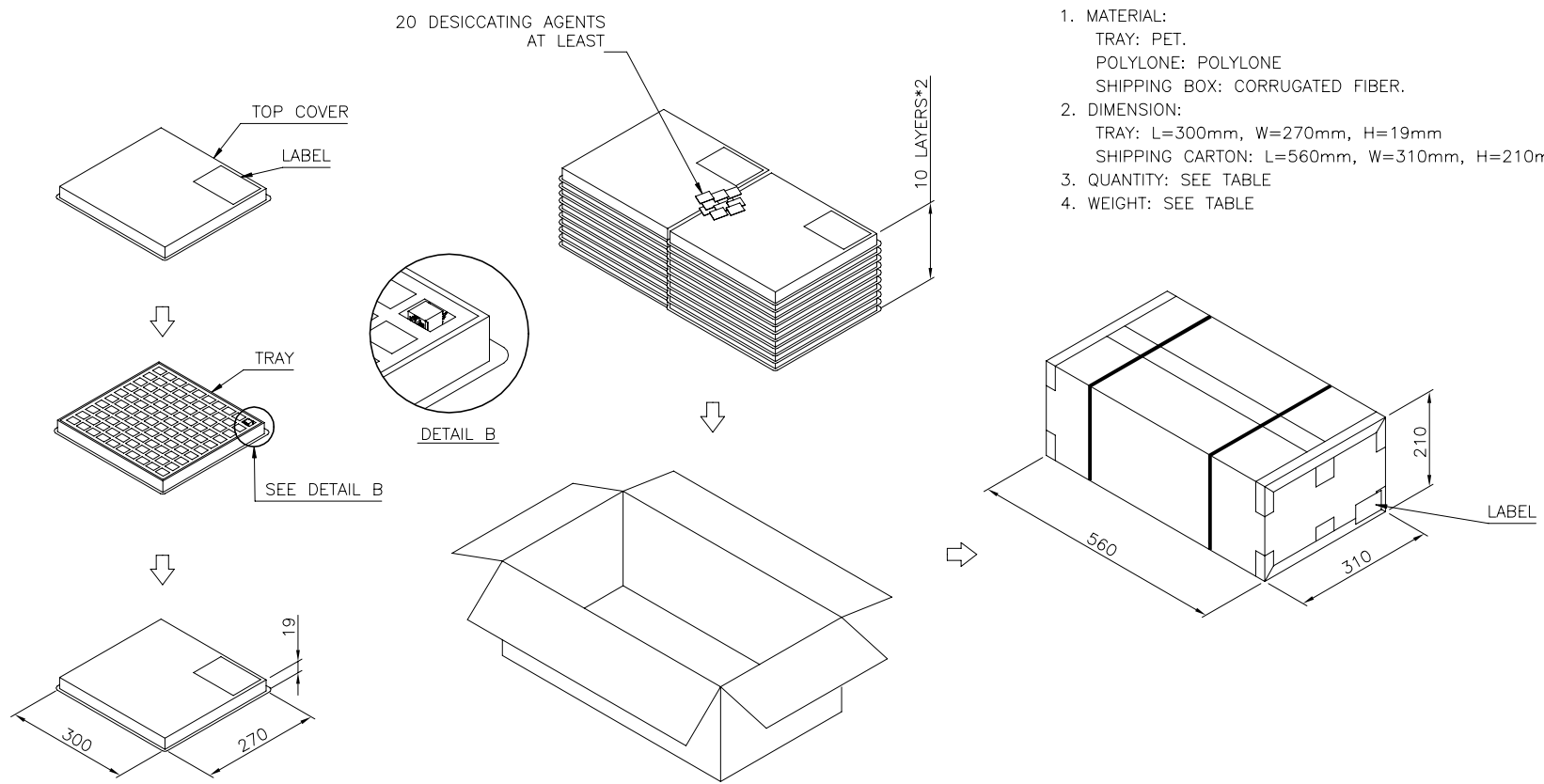
YELLOW	GREEN	0.762µm [30µ"]	7-1734577-3
LED2	LED1	MIN. GOLD THICKNESS	PART NUMBER
INDICATOR COLOR			

THIS DRAWING IS A CONTROLLED DOCUMENT.		DWN	21JUL2009		
		CHK	21JUL2009		
		APVD	21JUL2009		
DIMENSIONS: mm		TOLERANCES UNLESS OTHERWISE SPECIFIED:		NAME	
		0 PLC ± 1 PLC ±0.3 2 PLC ±0.2 3 PLC ±0.15 4 PLC ± ANGLES ±3°		W. KODAMA PRODUCT SPEC APPLICATION SPEC	
MATERIAL		FINISH		SIZE	
SEE NOTE		SEE NOTE		CAGE CODE	
				DRAWING NO	
				RESTRICTED TO	
		WEIGHT		A3 00779	
		CUSTOMER DRAWING		C=1734577	
		SCALE		SHEET	
		1:1		3 of 6	
		REV		D1	

THIS DRAWING IS UNPUBLISHED. RELEASED FOR PUBLICATION  
 © COPYRIGHT - By - ALL RIGHTS RESERVED.

REVISIONS					
P	LTR	DESCRIPTION	DATE	DWN	APVD
-	-	SEE SHEET 1	-	-	-

- NOTES:
- MATERIAL:  
 TRAY: PET.  
 POLYLONE: POLYLONE  
 SHIPPING BOX: CORRUGATED FIBER.
  - DIMENSION:  
 TRAY: L=300mm, W=270mm, H=19mm  
 SHIPPING CARTON: L=560mm, W=310mm, H=210mm
  - QUANTITY: SEE TABLE
  - WEIGHT: SEE TABLE



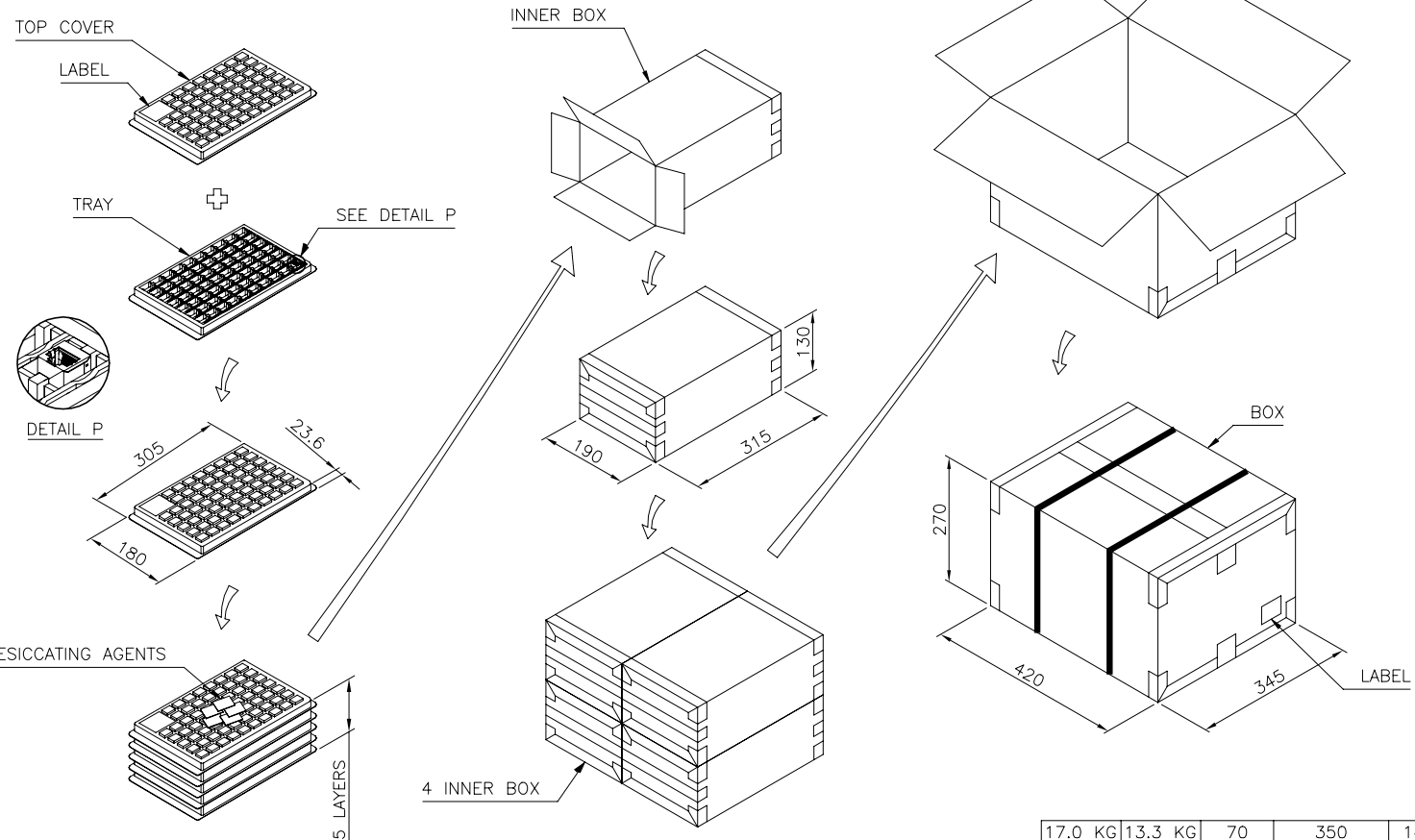
15 KG	13.3 KG	100	20	2000
GROSS WEIGHT	NET WEIGHT	PCS/TRAY	TRAY/BOX	PCS/BOX

THIS DRAWING IS A CONTROLLED DOCUMENT.		DWN E. HSING 21JUL2009	TE Connectivity	
		CHK S. CHIEN 21JUL2009		
		APVD W. KODAMA 21JUL2009		
DIMENSIONS: mm 		NAME		MODULAR JACK CONNECTOR RJ45, 8P8C, VERTICAL, DIP TYPE.
TOLERANCES UNLESS OTHERWISE SPECIFIED: 0 PLC ± - 1 PLC ± 0.3 2 PLC ± 0.2 3 PLC ± 0.15 4 PLC ± - ± 3' ANGLES		PRODUCT SPEC		
MATERIAL		APPLICATION SPEC		RESTRICTED TO
SEE NOTE		FINISH		SCALE 1:1
		WEIGHT		SHEET 4 of 6
		CUSTOMER DRAWING		REV D1
		SIZE CAGE CODE DRAWING NO		
		A3 00779 C=1734577		

THIS DRAWING IS UNPUBLISHED. RELEASED FOR PUBLICATION  
 © COPYRIGHT - By - ALL RIGHTS RESERVED.

REVISIONS					
P	LTR	DESCRIPTION	DATE	DWN	APVD
-	-	SEE SHEET 1	-	-	-

PACKAGE ONLY FOR 6-1734577-3



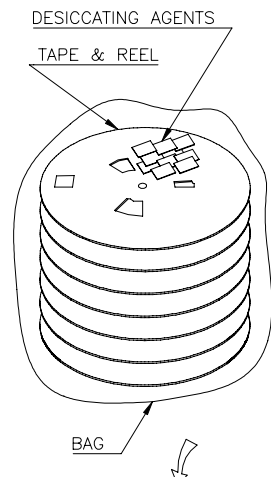
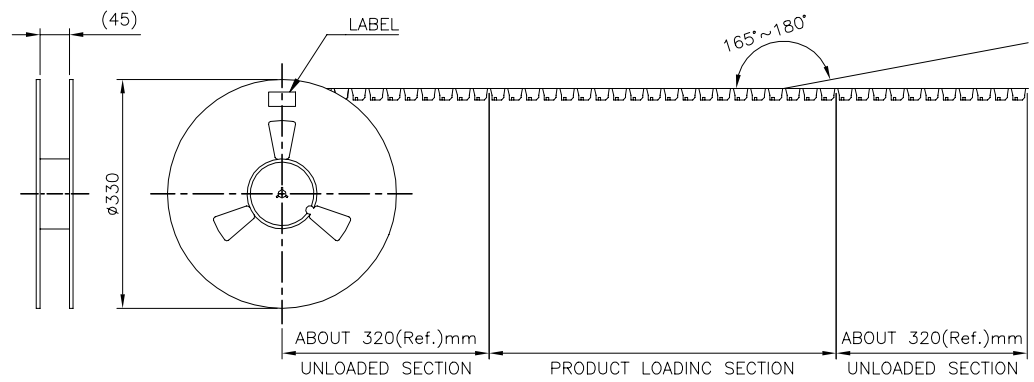
- NOTES:
- MATERIAL:  
 TRAY: PET.  
 POLYLONE: POLYLONE  
 BOX: CORRUGATED FIBER.
  - DIMENSION:  
 TRAY: L=308mm, W=180mm, H=23.6mm  
 INNER BOX: L=315mm, W=190mm, H=130mm  
 BOX: L=420mm, W=345mm, H=275mm
  - QUANTITY: SEE TABLE
  - WEIGHT: SEE TABLE

17.0 KG	13.3 KG	70	350	1400	6-1734577-3
GROSS WEIGHT	NET WEIGHT	PCS/TRAY	TRAY/INNER BOX	PCS/BOX	PART NUMBER

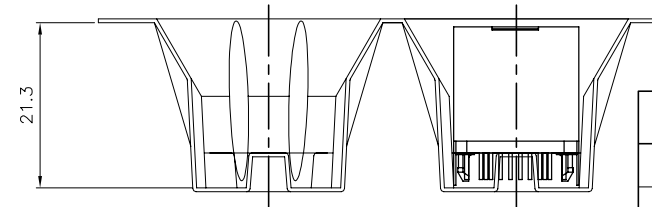
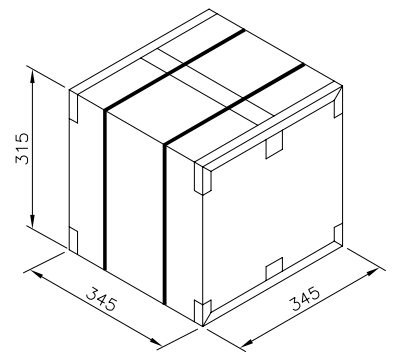
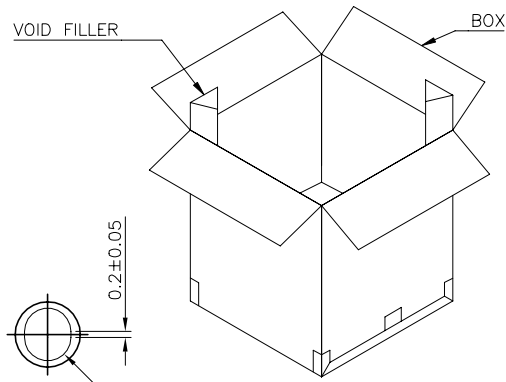
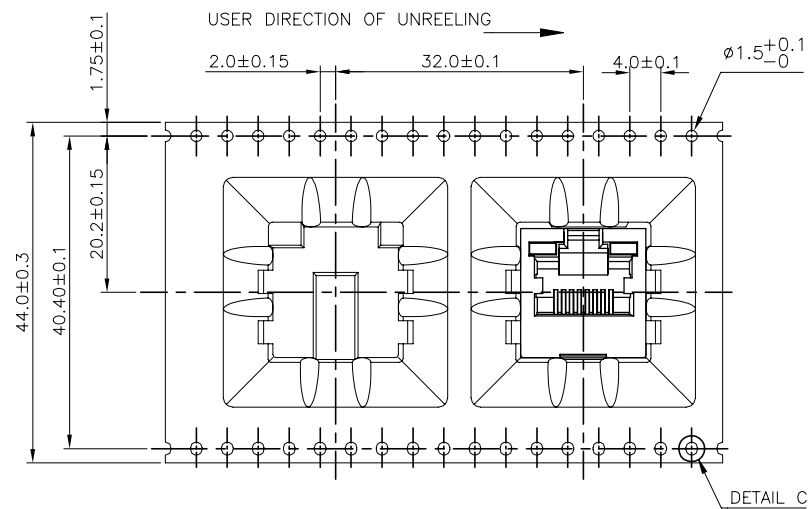
THIS DRAWING IS A CONTROLLED DOCUMENT.		DWN E. HSING 21JUL2009	TE Connectivity MODULAR JACK CONNECTOR RJ45, 8P8C, VERTICAL, DIP TYPE.		
DIMENSIONS: mm		CHK S. CHIEN 21JUL2009			
TOLERANCES UNLESS OTHERWISE SPECIFIED: 0 PLC ± - 1 PLC ± 0.3 2 PLC ± 0.2 3 PLC ± 0.15 4 PLC ± - ANGLES ± 3°		APVD W. KODAMA 21JUL2009			
MATERIAL SEE NOTE		FINISH SEE NOTE			
DIMENSIONS: mm		APVD W. KODAMA 21JUL2009		NAME	
MATERIAL SEE NOTE		FINISH SEE NOTE		APPLICATION SPEC	
MATERIAL SEE NOTE		FINISH SEE NOTE		WEIGHT	
MATERIAL SEE NOTE		FINISH SEE NOTE		CUSTOMER DRAWING	
MATERIAL SEE NOTE		FINISH SEE NOTE		SIZE A3	CAGE CODE 00779
MATERIAL SEE NOTE		FINISH SEE NOTE		DRAWING NO G=1734577	RESTRICTED TO
MATERIAL SEE NOTE		FINISH SEE NOTE		SCALE 1:1	SHEET 5 of 6
MATERIAL SEE NOTE		FINISH SEE NOTE		REV D1	

THIS DRAWING IS UNPUBLISHED. RELEASED FOR PUBLICATION  
 © COPYRIGHT - By - ALL RIGHTS RESERVED.

REVISIONS					
P	LTR	DESCRIPTION	DATE	DWN	APVD
-	-	SEE SHEET 1	-	-	-



- NOTE:
- PACKAGING MATERIAL:
    - COVER TAPE: COMPOSITE OF POLYETHYLENE TEREPHTHALATE (PET)
    - CARRIER: POLYSTYRENE (PS)
    - CARRIER REEL: POLYSTYRENE
    - BAG: PET
    - BOX: CORRUGATED FIBER.
  - EACH BAG SHALL BE INCLUDED: \*DESICCANT
  - PEELING STRENGTH: 0.1~1.3N(1~130 GRAMS) FOR 12~56mm WIDE CARRIER TAPES
  - PEELING SPEED: 300mm/MINUTES.



6.2 KG	3.2 KG	80	6	480	8-1734577-1
GROSS WEIGHT	NET WEIGHT	PCS/ REEL	REEL/ BOX	PCS/ BOX	PART NUMBER

THIS DRAWING IS A CONTROLLED DOCUMENT.

DIMENSIONS: mm	TOLERANCES UNLESS OTHERWISE SPECIFIED:	DWN E. HSING 21JUL2009	TE Connectivity MODULAR JACK CONNECTOR RJ45, 8P8C, VERTICAL, DIP TYPE.
	0 PLC ± -	CHK S. CHIEN 21JUL2009	
	1 PLC ± 0.3	APVD W. KODAMA 21JUL2009	
	2 PLC ± 0.2	NAME	
MATERIAL	FINISH	PRODUCT SPEC 108-57527	RESTRICTED TO
SEE NOTE	SEE NOTE	APPLICATION SPEC	SIZE CAGE CODE DRAWING NO
		WEIGHT 0.000000	A3 00779 C=1734577
		CUSTOMER DRAWING	SCALE 1:1 SHEET 6 OF 6 REV D1

## X-ON Electronics

Largest Supplier of Electrical and Electronic Components

*Click to view similar products for [Modular Connectors / Ethernet Connectors](#) category:*

*Click to view products by [TE Connectivity](#) manufacturer:*

Other Similar products are found below :

[8949-H88/06BLKA/SN](#) [74441-0010/BKN](#) [MP1010RX-1000](#) [MP44RX-1000](#) [PHJ-4P4C-1-V-4](#) [PHP-6P6C-5](#) [GAX-3-66](#) [GAX-8-62](#) [GDCX-PA-66-50](#) [GDCX-PN-64](#) [GDCX-PN-66](#) [GDCX-PN-66-50](#) [GDLX-A-66](#) [GDLX-N-66](#) [GDLX-S-66](#) [GDLX-S-88K](#) [GDTX-S-88-50](#) [GDX-PA-1010](#) [GLX-N-1010M-BLK](#) [GLX-S-88M-BLK](#) [GMX-N-1010](#) [GMX-S-1010](#) [GMX-S-66](#) [GMX-SMT4-N-88](#) [GPX-2-64](#) [GSGX-N-2-88](#) [GSGX-N-4-88](#) [GSX-NS2-88-3.05](#) [GSX-NS2-88-3.05-50](#) [GSX-NS-88-3.05-50](#) [PT-108A-8C-UL](#) [PT-J951-8C](#) [PTS-J531-8CS-50UL](#) [1-1775629-2](#) [A-2014-0-4](#) [GWLX-S-88-GR](#) [GWLX-S9-88-YG](#) [DC-1021-8-WH-6](#) [1300530003](#) [1324640-4](#) [RJ11FTVC2G](#) [RJ11FTVC2N](#) [RJFTVX2SA1G](#) [132764-001](#) [1413235](#) [MP88X-1000](#) [MPS88RX-5000](#) [E5288-S000K3-L](#) [E5908-15A242-L](#) [155302-001](#)