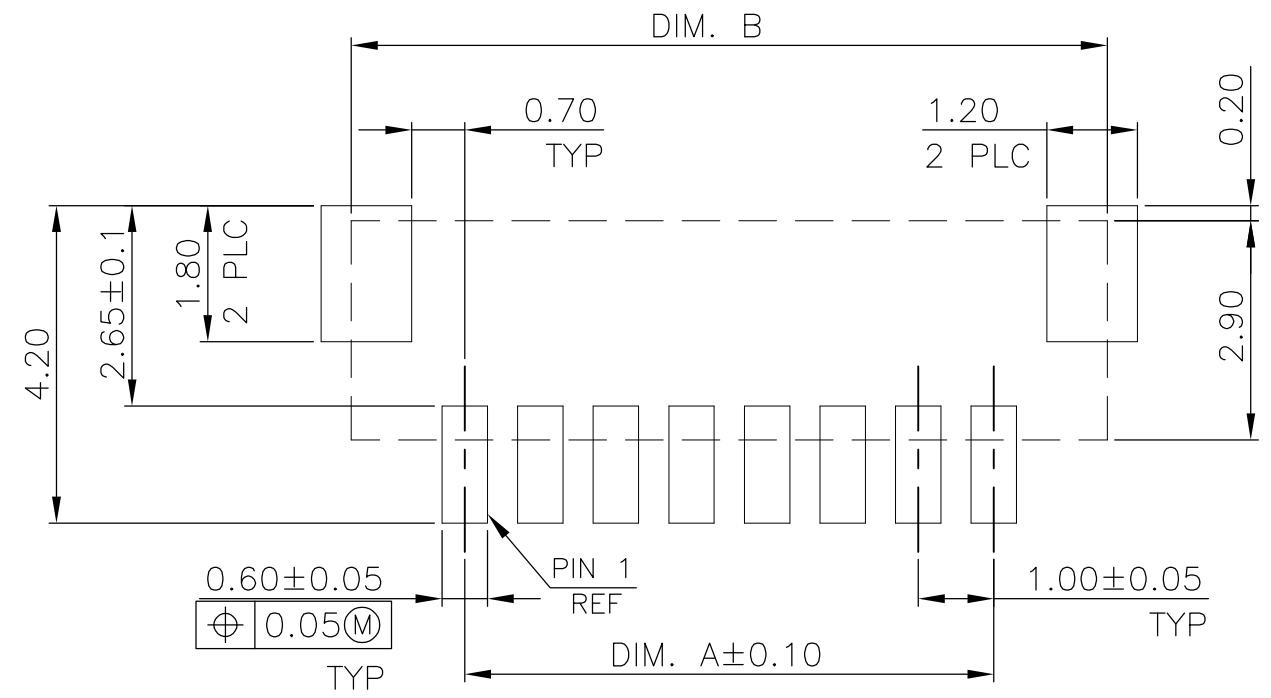
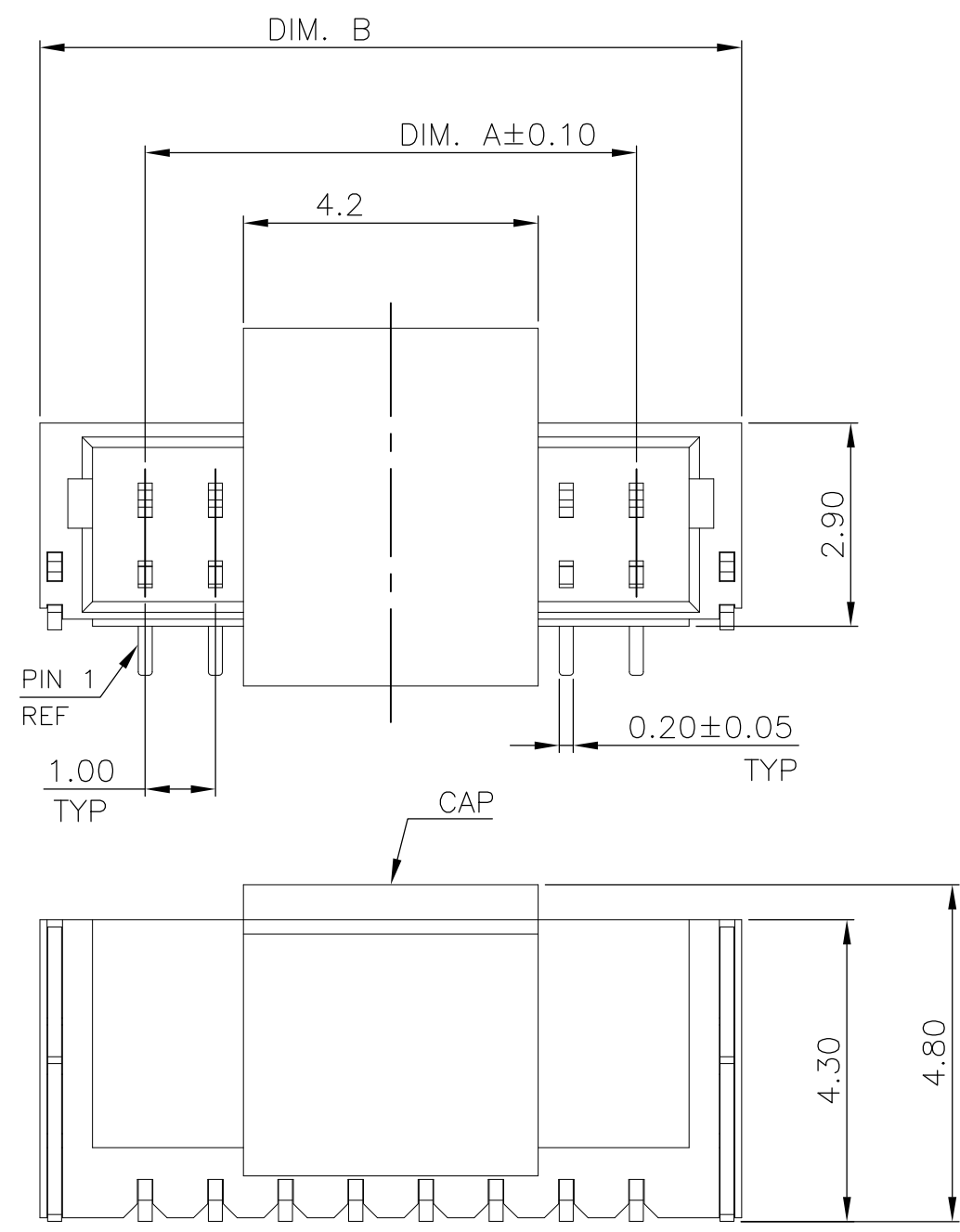
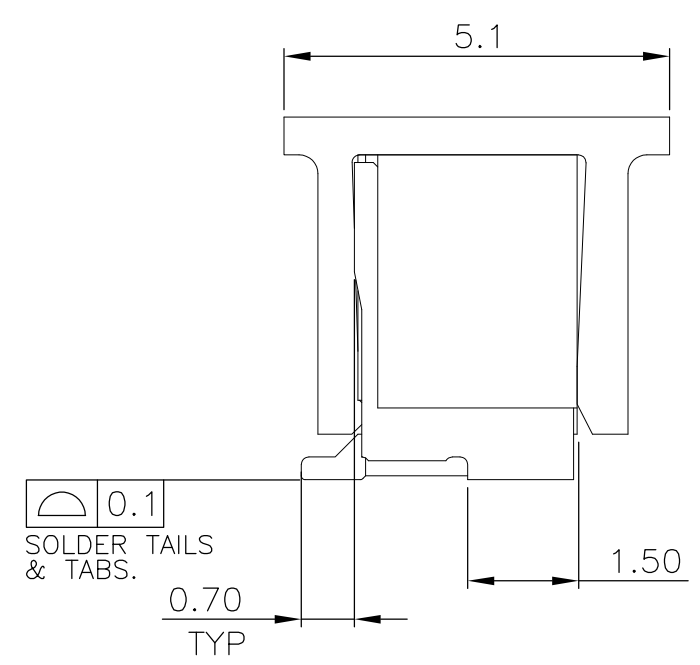


THIS DRAWING IS UNPUBLISHED. RELEASED FOR PUBLICATION
 © COPYRIGHT BY ALL RIGHTS RESERVED.

LOC	DIST	REVISIONS					
DW	-	P	LTR	DESCRIPTION	DATE	DWN	APVD
			A4	REVISED PER ECO-11-005301	07MAR11	RK	HMR



RECOMMENDED PCB LAYOUT
 TOLERANCE: ±0.05



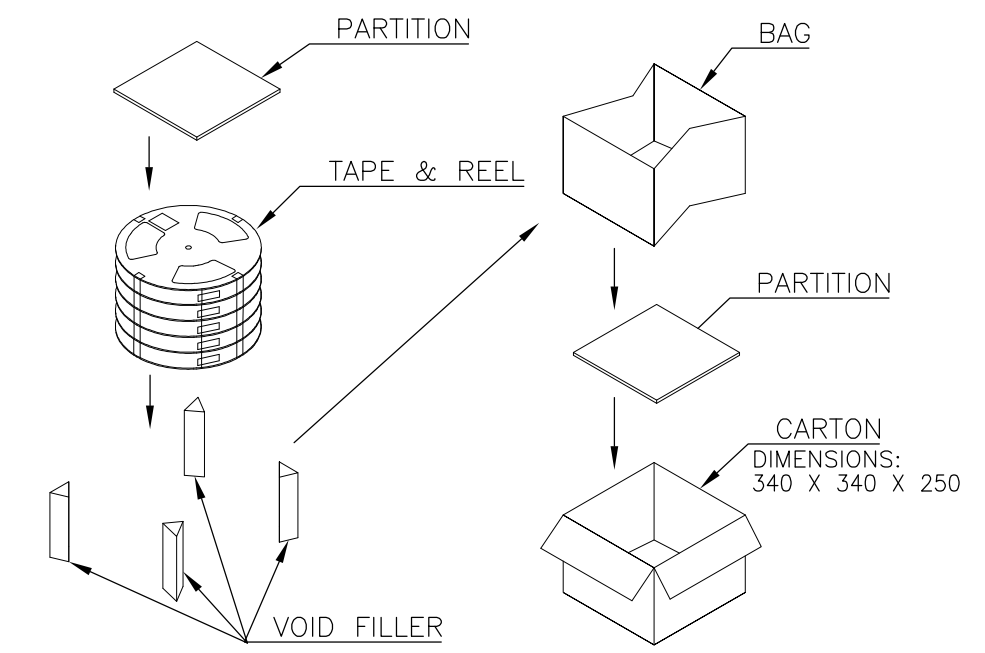
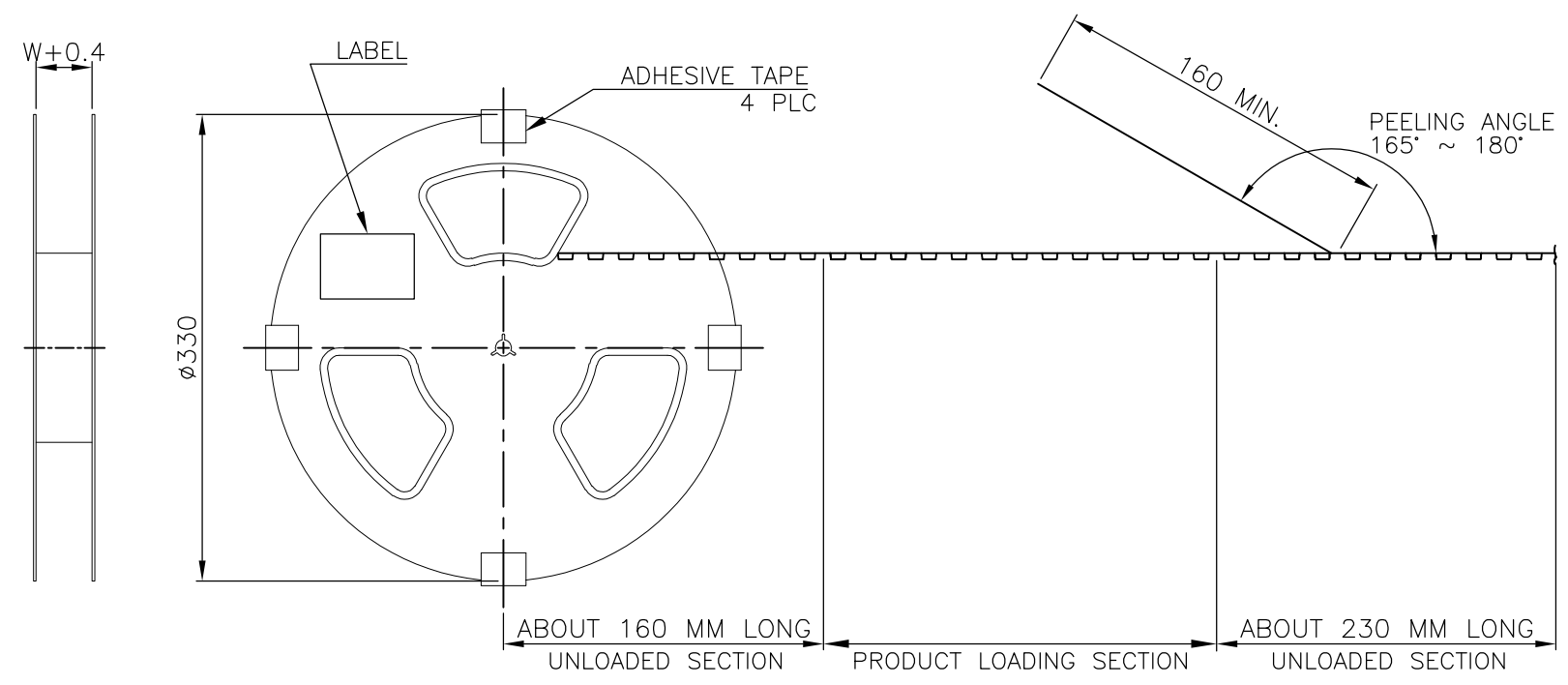
0.28g	17.3	14.00	15	1-1734595-5
0.27g	16.3	13.00	14	1-1734595-4
0.26g	15.3	12.00	13	1-1734595-3
0.25g	14.3	11.00	12	1-1734595-2
0.24g	13.3	10.00	11	1-1734595-1
0.22g	12.3	9.00	10	1-1734595-0
0.21g	11.3	8.00	9	1734595-9
0.20g	10.3	7.00	8	1734595-8
0.19g	9.3	6.00	7	1734595-7
0.18g	8.3	5.00	6	1734595-6
0.16g	7.3	4.00	5	1734595-5
0.15g	6.3	3.00	4	1734595-4
0.14g	5.3	2.00	3	1734595-3
0.12g	4.3	1.00	2	1734595-2
WEIGHT	B	A	NO. OF CONTACTS	PART NUMBER

- NOTE:
- MATERIAL:
 HOUSING: THERMOPLASTIC (PA9T) WITH 33% GF, UL 94V-0, IVORY COLOR.
 CAP: THERMOPLASTIC (PA9T) WITH 33% GF, UL 94V-0, BLACK COLOR.
 CONTACTS: PHOSPHOR BRONZE.
 BOARDLOCKS: BRASS.
 - FINISH:
 CONTACTS: 3.05µm [120µ"] MIN. MATTE-TIN OVER 1.27µm [50µ"] MIN. NICKEL PLATED.
 TABS: 3.05µm [120µ"] MIN. MATTE-TIN OVER 1.27µm [50µ"] MIN. NICKEL PLATED.
 - REFLOW SOLDER CAPABLE TO 260°C PER TE CONNECTIVITY TEST SPEC. 109-201, CONDITION B.

THIS DRAWING IS A CONTROLLED DOCUMENT.		DWN H. HUANG 22MAR2007	STE TE Connectivity	
		CHK S. HOU 22MAR2007		
DIMENSIONS: MM		APVD W.J. KE 22MAR2007	NAME	
TOLERANCES UNLESS OTHERWISE SPECIFIED:		PRODUCT SPEC	1.00MM PITCH WIRE TO BOARD CONNECTOR, HEADER, SMT, VERTICAL TYPE.	
0 PLC ± 0.50		108-57264		
1 PLC ± 0.38		QUALIFICATION TEST REPORT		
2 PLC ± 0.25		501-57283	SIZE	CAGE CODE
3 PLC ± 0.10		WEIGHT SEE TABLE	A3	00779
4 PLC ± -		CUSTOMER DRAWING	DRAWING NO C=1734595	
ANGLES ± -			RESTRICTED TO	-
FINISH SEE NOTE			SCALE -	SHEET 1 OF 2
SEE NOTE			REV A4	

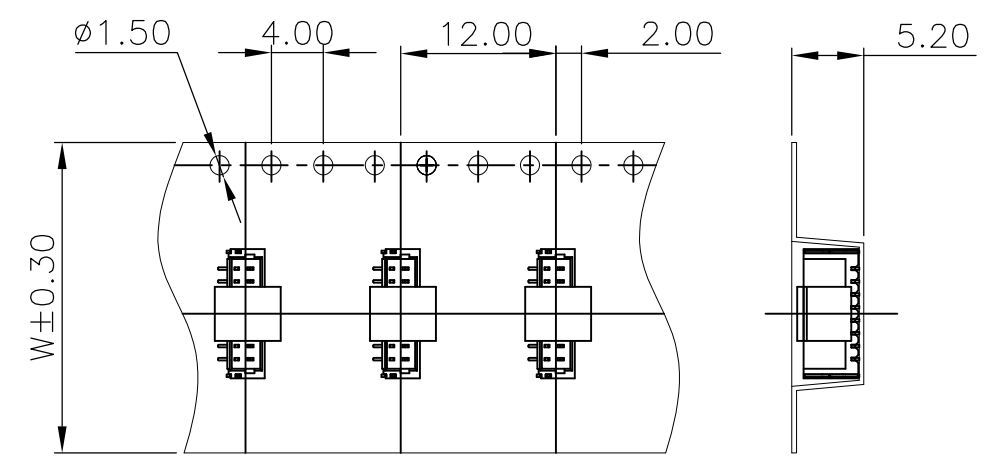
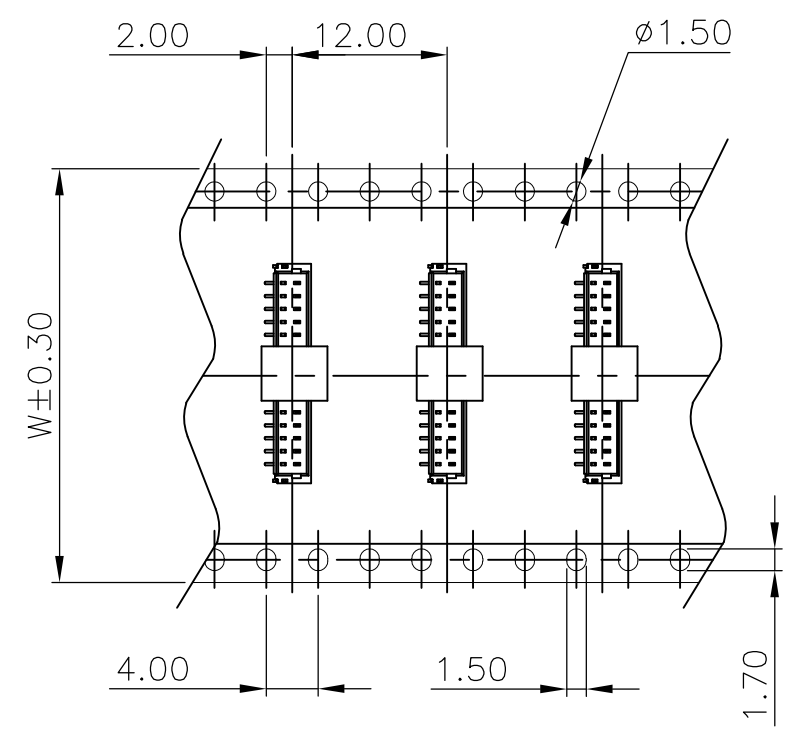
THIS DRAWING IS UNPUBLISHED. RELEASED FOR PUBLICATION
 © COPYRIGHT - BY - ALL RIGHTS RESERVED.

LOC	DIST	REVISIONS					
DW	-	P	LTR	DESCRIPTION	DATE	DWN	APVD
		-		SEE SHEET 1.	-	-	-



TOP OF TAPE

TOP OF TAPE



1000	32	6	6000	5.29	1.70	15
				5.41	1.93	14
				5.32	1.84	13
				5.23	1.75	12
	24	7	7000	5.14	1.66	11
				5.05	1.57	10
				4.96	1.48	9
				4.87	1.39	8
				4.78	1.30	7
		16	10	10000	6.16	1.76
			6.03	1.63	5	
			5.90	1.50	4	
			5.77	1.37	3	
			5.64	1.24	2	

CARRIER FOR 15 PIN

CARRIER FOR 2 TO 14 PIN

THIS DRAWING IS A CONTROLLED DOCUMENT.

DIMENSIONS:	TOLERANCES UNLESS OTHERWISE SPECIFIED:	DWN	22MAR2007
MM		A. WU	
	0 PLC ± -	CHK	22MAR2007
	1 PLC ± -	S. HOU	
	2 PLC ± -	APVD	22MAR2007
	3 PLC ± -	W.J. KE	
	4 PLC ± -	PRODUCT SPEC	
	ANGLES ± -	APPLICATION SPEC	
	FINISH ± -	WEIGHT	-

TE TE Connectivity

NAME: 1.00MM PITCH WIRE TO BOARD CONNECTOR, HEADER, SMT, VERTICAL TYPE.

PCS/TAPE	DIM W	REELS/CARTON	QUANTITY (PCS)	G/W (Kg)	N/W (Kg)	NO. OF CONTACTS

SIZE: A3 CAGE CODE: 00779 DRAWING NO: C=1734595 RESTRICTED TO: -

CUSTOMER DRAWING SCALE: - SHEET: 2 OF 2 REV: A4

X-ON Electronics

Largest Supplier of Electrical and Electronic Components

Click to view similar products for [Headers & Wire Housings](#) category:

Click to view products by [TE Connectivity](#) manufacturer:

Other Similar products are found below :

[892-18-020-10-001101](#) [58102-G61-06LF](#) [582553-1](#) [0009485154](#) [009176003701906](#) [0050291907](#) [LY20-4P-DT1-P1E-BR](#) [02.125.8002.8](#)
[609-3404](#) [61062-3](#) [61082-181009](#) [622-3653LF](#) [63453-116](#) [636-1030](#) [636-1427](#) [636-3427](#) [636-4007](#) [641938-9](#) [641991-4](#) [644827-2](#) [65817-010LF](#) [65817-015LF](#) [65863-015LF](#) [66207-023LF](#) [67095-007LF](#) [67601157](#) [68645-018](#) [68648-049](#) [70.362.1628.0](#) [70-4210](#) [70-4226B](#) [70-4853B](#) [707-5020](#) [707-5028](#) [71.350.2428.0](#) [71918-208LF](#) [71961-016LF](#) [733-134](#) [733-162](#) [754199-000](#) [760-3052](#) [787-8014-00](#) [79531-3000](#)
[FCN-360C032-B](#) [FCN-367T-T012/H](#) [FCN-723D010/2](#) [80.063.4001.1](#) [800-90-001-10-001000](#) [800-90-010-10-002000](#) [801-43-002-10-013000](#)