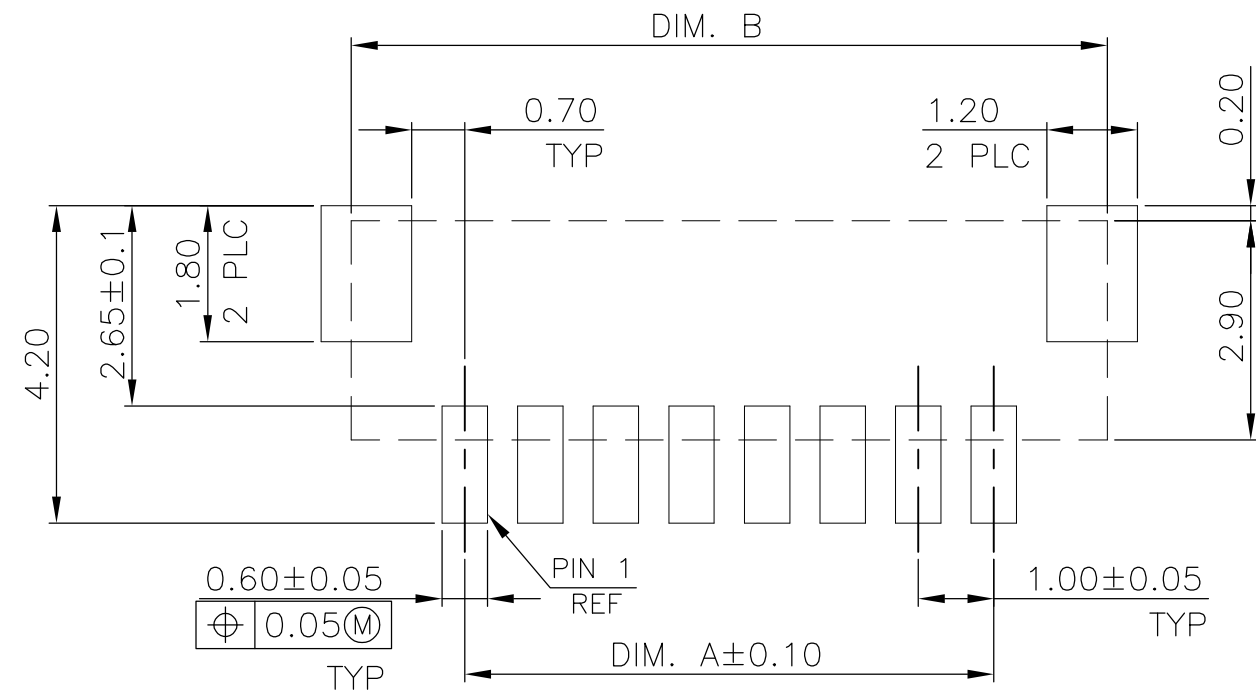
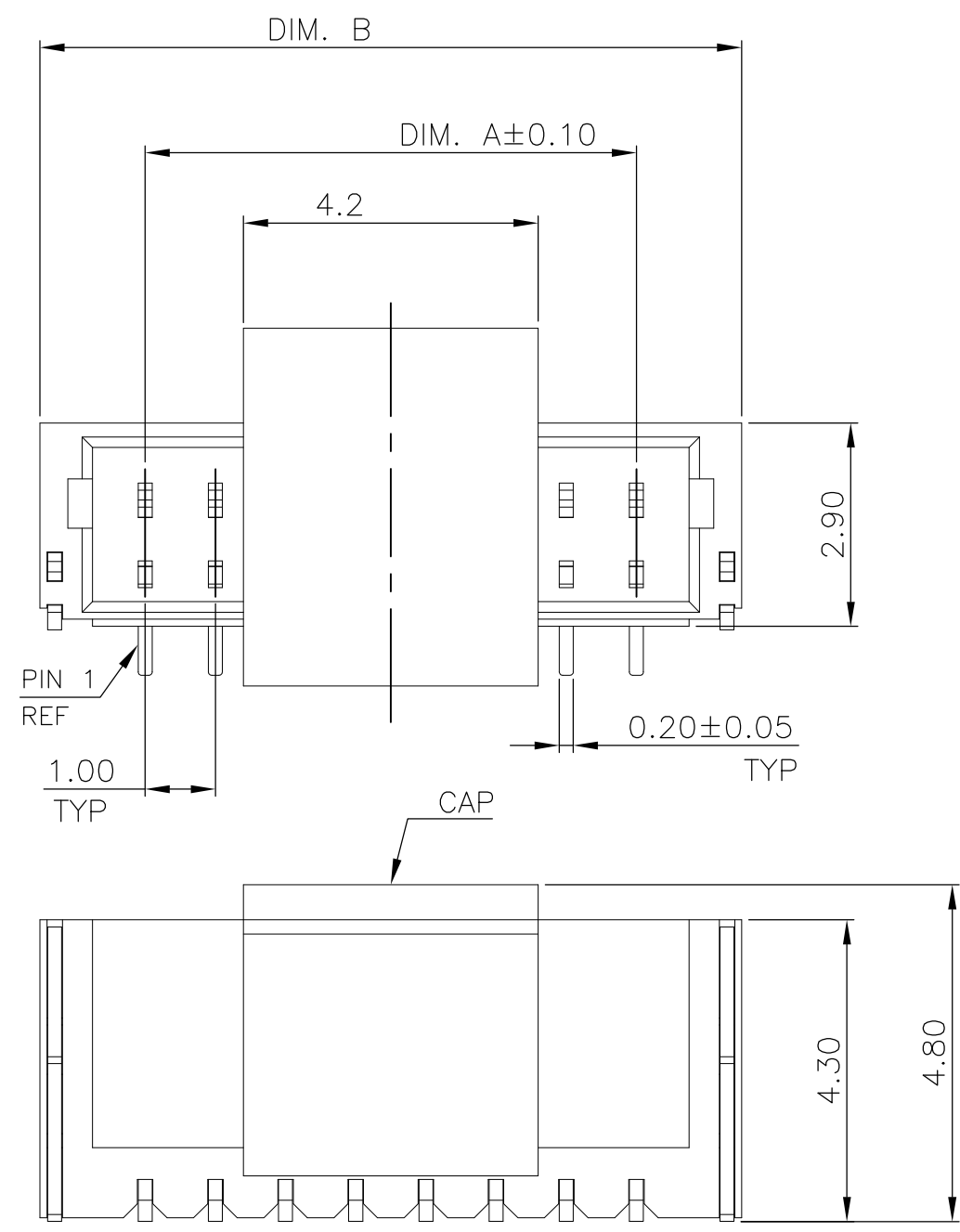
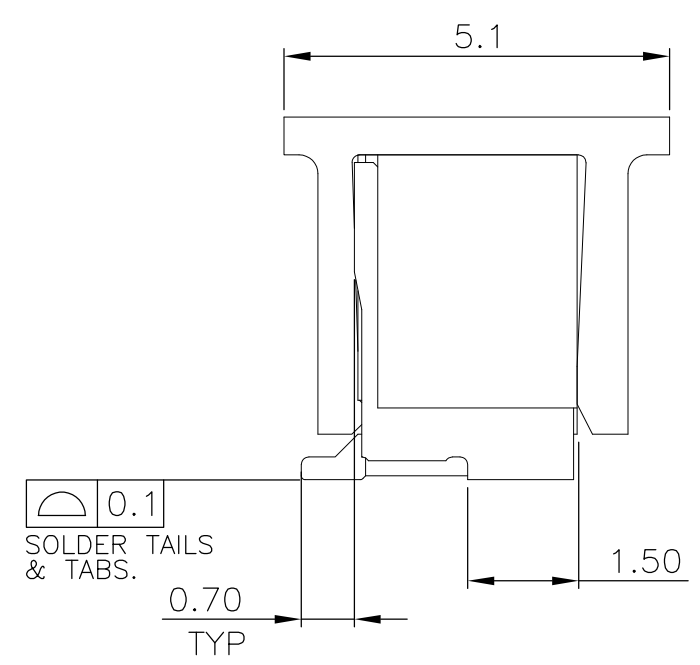


THIS DRAWING IS UNPUBLISHED. RELEASED FOR PUBLICATION  
 © COPYRIGHT BY ALL RIGHTS RESERVED.

LOC	DIST	REVISIONS					
DW	-	P	LTR	DESCRIPTION	DATE	DWN	APVD
			A4	REVISED PER ECO-11-005301	07MAR11	RK	HMR



RECOMMENDED PCB LAYOUT  
 TOLERANCE: ±0.05



0.1  
 SOLDER TAILS & TABS.

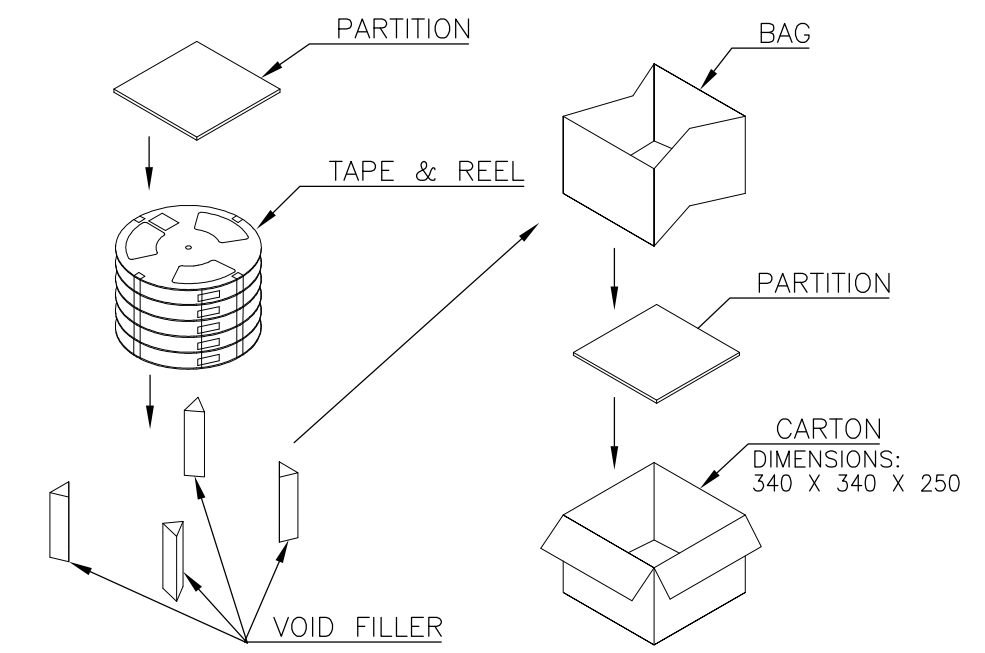
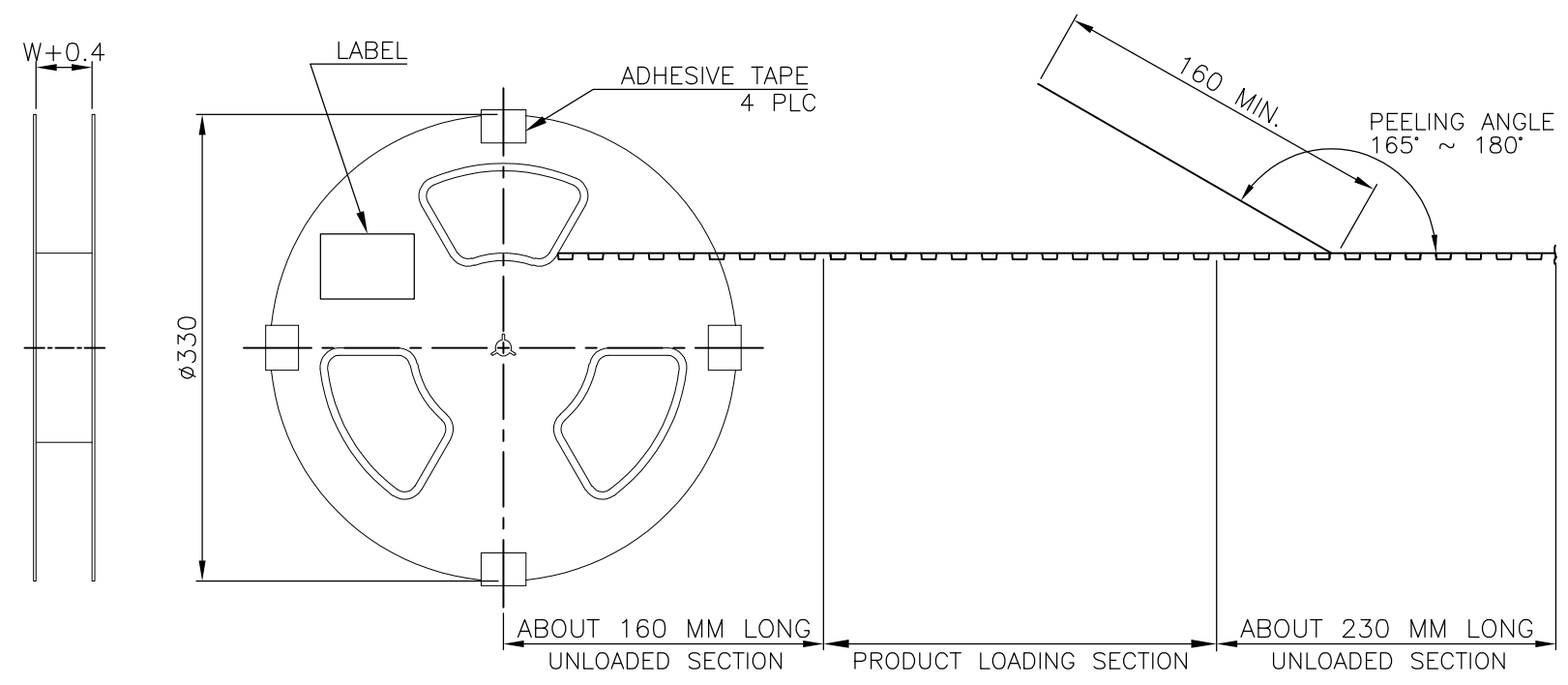
0.28g	17.3	14.00	15	1-1734595-5
0.27g	16.3	13.00	14	1-1734595-4
0.26g	15.3	12.00	13	1-1734595-3
0.25g	14.3	11.00	12	1-1734595-2
0.24g	13.3	10.00	11	1-1734595-1
0.22g	12.3	9.00	10	1-1734595-0
0.21g	11.3	8.00	9	1734595-9
0.20g	10.3	7.00	8	1734595-8
0.19g	9.3	6.00	7	1734595-7
0.18g	8.3	5.00	6	1734595-6
0.16g	7.3	4.00	5	1734595-5
0.15g	6.3	3.00	4	1734595-4
0.14g	5.3	2.00	3	1734595-3
0.12g	4.3	1.00	2	1734595-2
WEIGHT	B	A	NO. OF CONTACTS	PART NUMBER

- NOTE:
- MATERIAL:  
 HOUSING: THERMOPLASTIC (PA9T) WITH 33% GF, UL 94V-0, IVORY COLOR.  
 CAP: THERMOPLASTIC (PA9T) WITH 33% GF, UL 94V-0, BLACK COLOR.  
 CONTACTS: PHOSPHOR BRONZE.  
 BOARDLOCKS: BRASS.
  - FINISH:  
 CONTACTS: 3.05µm [120µ"] MIN. MATTE-TIN OVER 1.27µm [50µ"] MIN. NICKEL PLATED.  
 TABS: 3.05µm [120µ"] MIN. MATTE-TIN OVER 1.27µm [50µ"] MIN. NICKEL PLATED.
  - REFLOW SOLDER CAPABLE TO 260°C PER TE CONNECTIVITY TEST SPEC. 109-201, CONDITION B.

THIS DRAWING IS A CONTROLLED DOCUMENT.		DWN H. HUANG 22MAR2007	TE Connectivity														
DIMENSIONS: MM		CHK S. HOU 22MAR2007															
TOLERANCES UNLESS OTHERWISE SPECIFIED:		APVD W.J. KE 22MAR2007	NAME 1.00MM PITCH WIRE TO BOARD CONNECTOR, HEADER, SMT, VERTICAL TYPE.														
<table border="0"> <tr> <td>0 PLC</td> <td>± 0.50</td> </tr> <tr> <td>1 PLC</td> <td>± 0.38</td> </tr> <tr> <td>2 PLC</td> <td>± 0.25</td> </tr> <tr> <td>3 PLC</td> <td>± 0.10</td> </tr> <tr> <td>4 PLC</td> <td>± -</td> </tr> <tr> <td>ANGLES</td> <td>± -</td> </tr> </table>		0 PLC	± 0.50	1 PLC	± 0.38	2 PLC	± 0.25	3 PLC	± 0.10	4 PLC	± -	ANGLES	± -	PRODUCT SPEC 108-57264	QUALIFICATION TEST REPORT		
0 PLC	± 0.50																
1 PLC	± 0.38																
2 PLC	± 0.25																
3 PLC	± 0.10																
4 PLC	± -																
ANGLES	± -																
MATERIAL SEE NOTE		FINISH SEE NOTE	501-57283	SIZE A3	CAGE CODE 00779	DRAWING NO C=1734595	RESTRICTED TO -										
CUSTOMER DRAWING			WEIGHT SEE TABLE	SCALE -	SHEET 1 OF 2	REV A4											

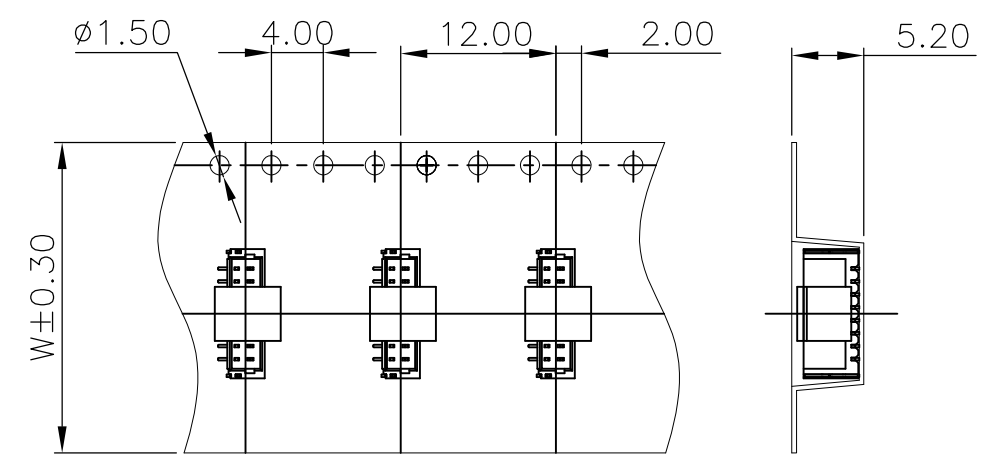
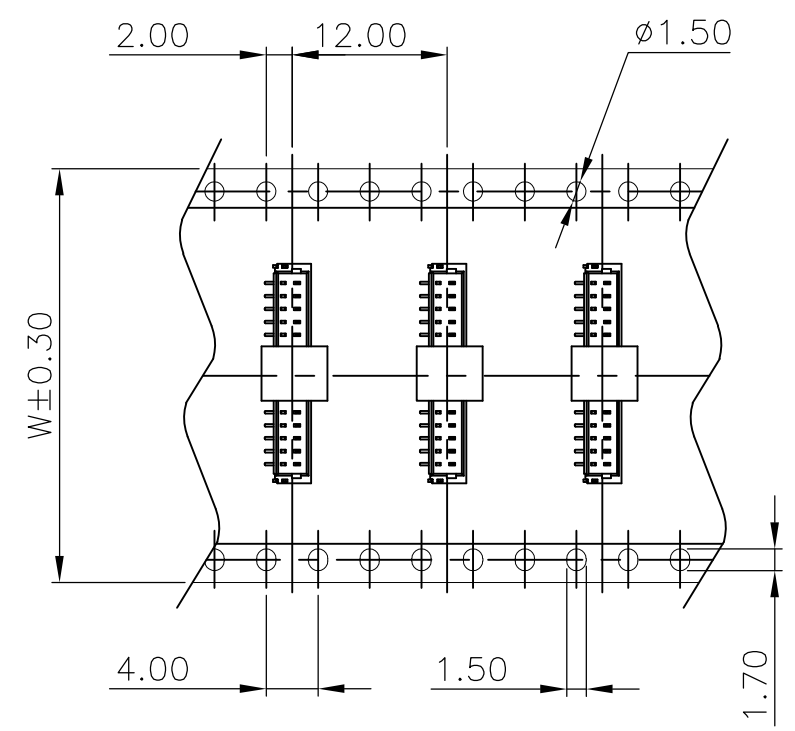
THIS DRAWING IS UNPUBLISHED. RELEASED FOR PUBLICATION  
 © COPYRIGHT - BY - ALL RIGHTS RESERVED.

LOC	DIST	REVISIONS					
DW	-	P	LTR	DESCRIPTION	DATE	DWN	APVD
		-	-	SEE SHEET 1.	-	-	-



TOP OF TAPE

TOP OF TAPE



1000	32	6	6000	5.29	1.70	15
				5.41	1.93	14
				5.32	1.84	13
				5.23	1.75	12
	24	7	7000	5.14	1.66	11
				5.05	1.57	10
				4.96	1.48	9
				4.87	1.39	8
				4.78	1.30	7
		16	10	10000	6.16	1.76
			6.03	1.63	5	
			5.90	1.50	4	
			5.77	1.37	3	
			5.64	1.24	2	

CARRIER FOR 15 PIN

CARRIER FOR 2 TO 14 PIN

THIS DRAWING IS A CONTROLLED DOCUMENT.		DWN	A. WU	22MAR2007
DIMENSIONS: MM		CHK	S. HOU	22MAR2007
TOLERANCES UNLESS OTHERWISE SPECIFIED:		APVD	W.J. KE	22MAR2007
0 PLC	± -	PRODUCT SPEC	-	-
1 PLC	± -	APPLICATION SPEC	-	-
2 PLC	± -	WEIGHT	-	-
3 PLC	± -	CUSTOMER DRAWING	-	-
4 PLC	± -			
ANGLES	± -			
FINISH	-			

PCS/TAPE		DIM W	REELS/CARTON	QUANTITY (PCS)	G/W (Kg)	N/W (Kg)	NO. OF CONTACTS
1000		32	6	6000	5.29	1.70	15
1000		24	7	7000	5.14	1.66	11
1000		16	10	10000	5.90	1.50	4

**STE** TE Connectivity

NAME: 1.00MM PITCH WIRE TO BOARD CONNECTOR, HEADER, SMT, VERTICAL TYPE.

SIZE: A3 CAGE CODE: 00779 DRAWING NO: C=1734595 RESTRICTED TO: -

SCALE: - SHEET: 2 OF 2 REV: A4

## X-ON Electronics

Largest Supplier of Electrical and Electronic Components

*Click to view similar products for [Headers & Wire Housings](#) category:*

*Click to view products by [TE Connectivity](#) manufacturer:*

Other Similar products are found below :

[95000-104TRLF](#) [10135584-644402LF](#) [DF62W-EP2022PCA](#) [95000-106TRLF](#) [DF62W-2022SCA](#) [DF62W-EP2022PC](#) [2203348](#) [DF62W-2022SC](#) [1084018](#) [1029039](#) [1084017](#) [802-10-012-10-002000](#) [1112640](#) [1112639](#) [000-34000](#) [0009482033](#) [0009507031](#) [57102-S06-03LF](#) [57202-S52-04LF](#) [PCN6-15S-2.5E](#) [0039019024](#) [58102-G61-06LF](#) [582553-1](#) [0009508121](#) [0050291907](#) [018731A](#) [LY20-4P-DT1-P1E-BR](#) [02.125.8002.8](#) [60101931](#) [60598-1 \(Cut Strip\)](#) [M1625-3R/100](#) [61062-3](#) [61082-181009](#) [636-1427](#) [638009-1](#) [641938-9](#) [641991-4](#) [644168-1](#) [647662-1](#) [65039-019ELF](#) [65817-002LF](#) [65817-015LF](#) [65863-015LF](#) [66207-023LF](#) [67016-026LF](#) [67046-001LF](#) [67095-007LF](#) [68002-116](#) [68016-236H](#) [68648-049](#)