

4

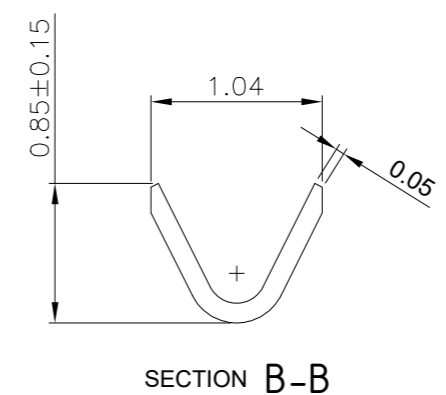
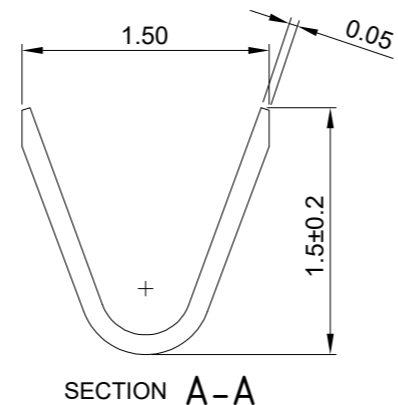
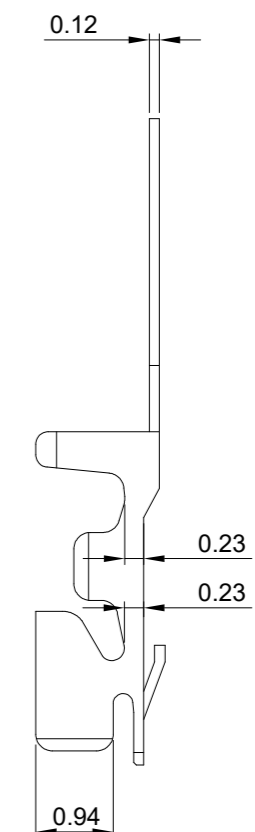
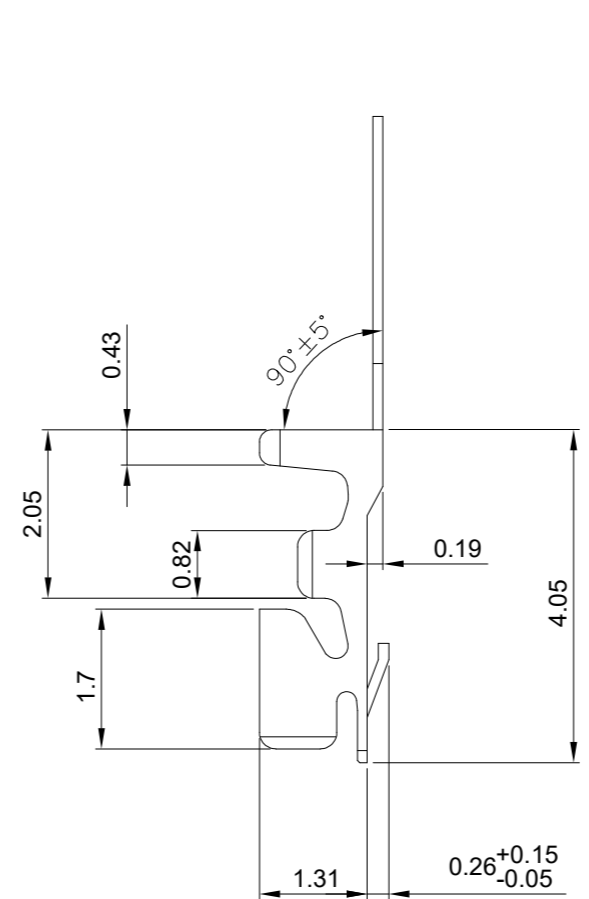
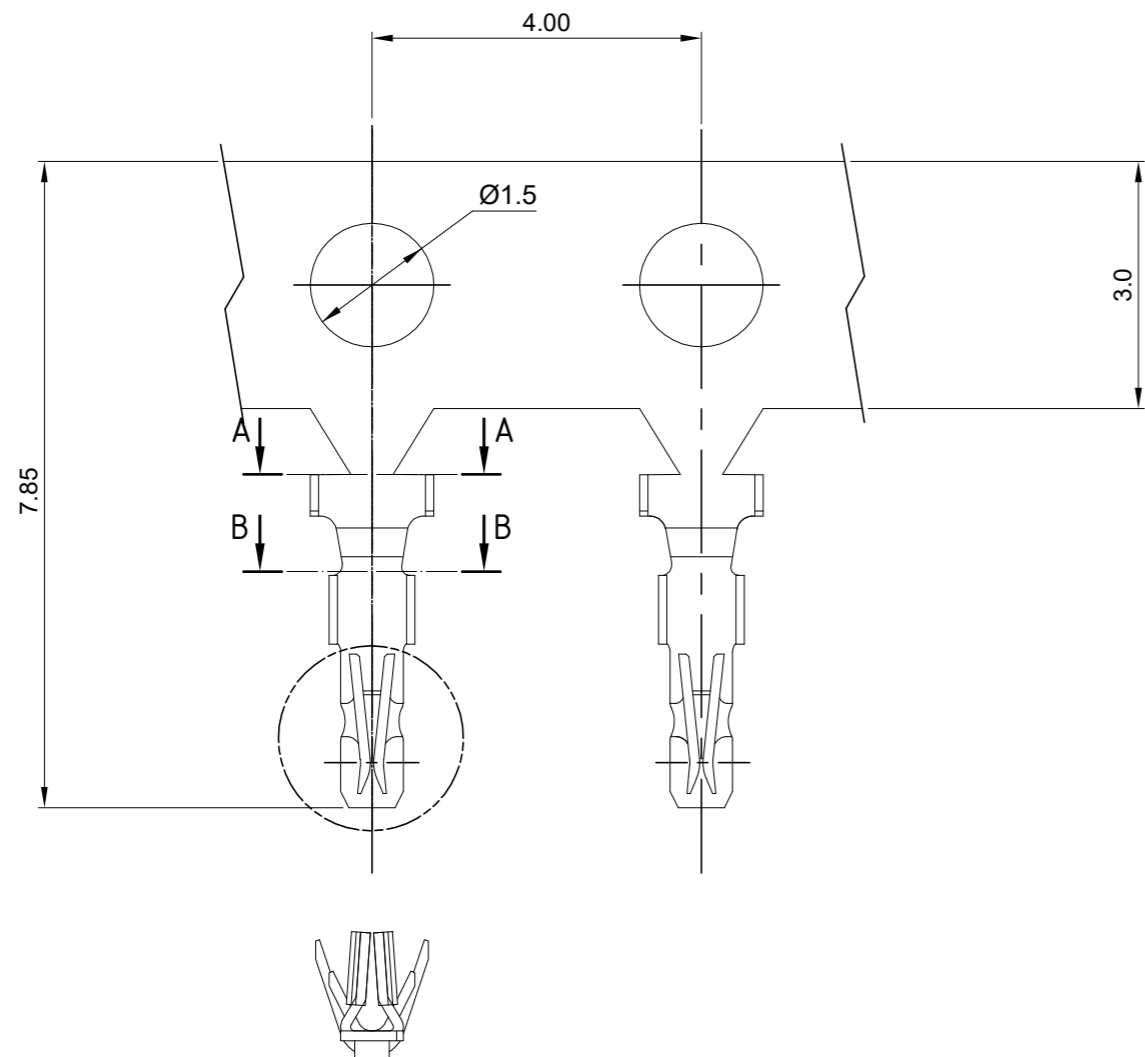
3

2

1

THIS DRAWING IS UNPUBLISHED. RELEASED FOR PUBLICATION AUG ,2006. ALL RIGHTS RESERVED.

LOC DW	DIST	REVISIONS		
P	LTR	DESCRIPTION	DATE	DWN
	C1	ECR-19-000085	02SEP2019	T.Q
				APVD WH



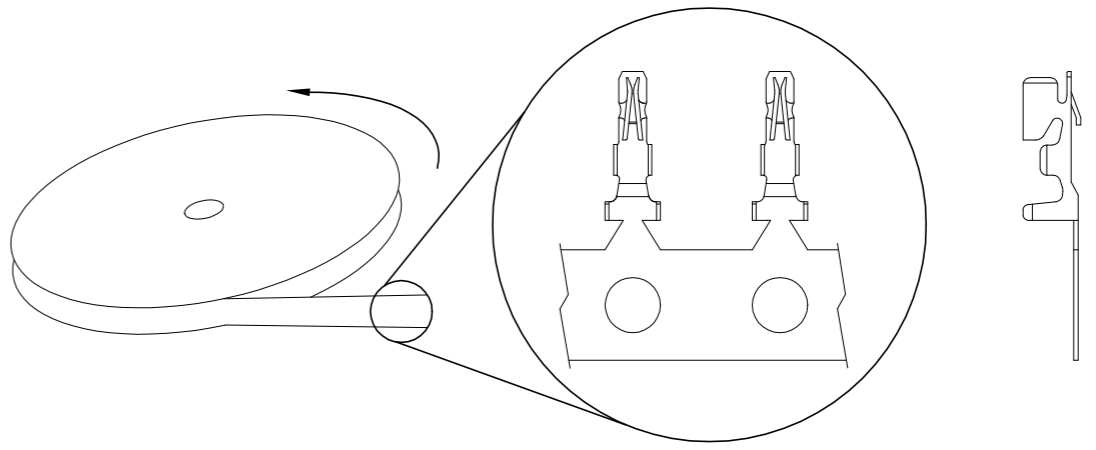
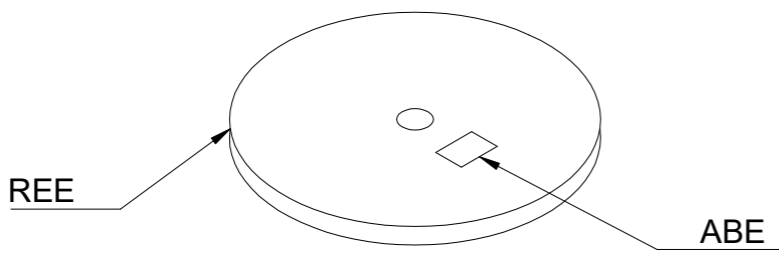
- NOTE:
- MATERIAL:
PHOSPHOR BRONZE.
 - FINISH:
80~110μ" BRIGHT TIN PLATING OVER ALL;
15~40μ" NICKEL UNDER PLATING
 - NO TE LOGO AND DATE CODE ON THE PRODUCT.
 - APPLICABLE WIRE RANGE: AWG #28 THRU #32
 - PART NUMBER OF RECEPTACLE HOUSING: X-1470364-X & X-2041214-X.
 - PART NUMBER OF MATING PLUG:
LOW HALOGEN TYPE: X-2041190-X, X-2041191-X, X-2041202-X
HALOGEN TYPE: X-1734709-X, X-1734595-X.

1734597-1
PART NUMBER

THIS DRAWING IS A CONTROLLED DOCUMENT.		DWN A. WU 26JUL2007	Tyco Electronics Corporation Tyco Electronics Taipei, Taiwan	
DIMENSIONS: MM		CHK S. HOU 26JUL2007	NAME	
TOLERANCES UNLESS OTHERWISE SPECIFIED:		APVD W.J. KE 26JUL2007	1.0 MM PITCH WIRE TO BOARD CONNECTOR, RECEPTACLE, SMT, TERMINAL	
0 PLC ± - 1 PLC ± 0.15 2 PLC ± 0.1 3 PLC ± - 4 PLC ± - ANGLES ± 3'		PRODUCT SPEC 108-57264	SIZE A3	RESTRICTED TO
MATERIAL SEE NOTE	FINISH SEE NOTE	APPLICATION SPEC	CAGE CODE 00779	DRAWING NO C=1734597
		WEIGHT SEE TABLE	SCALE -	SHEET 1 OF 2
		CUSTOMER DRAWING	REV C1	

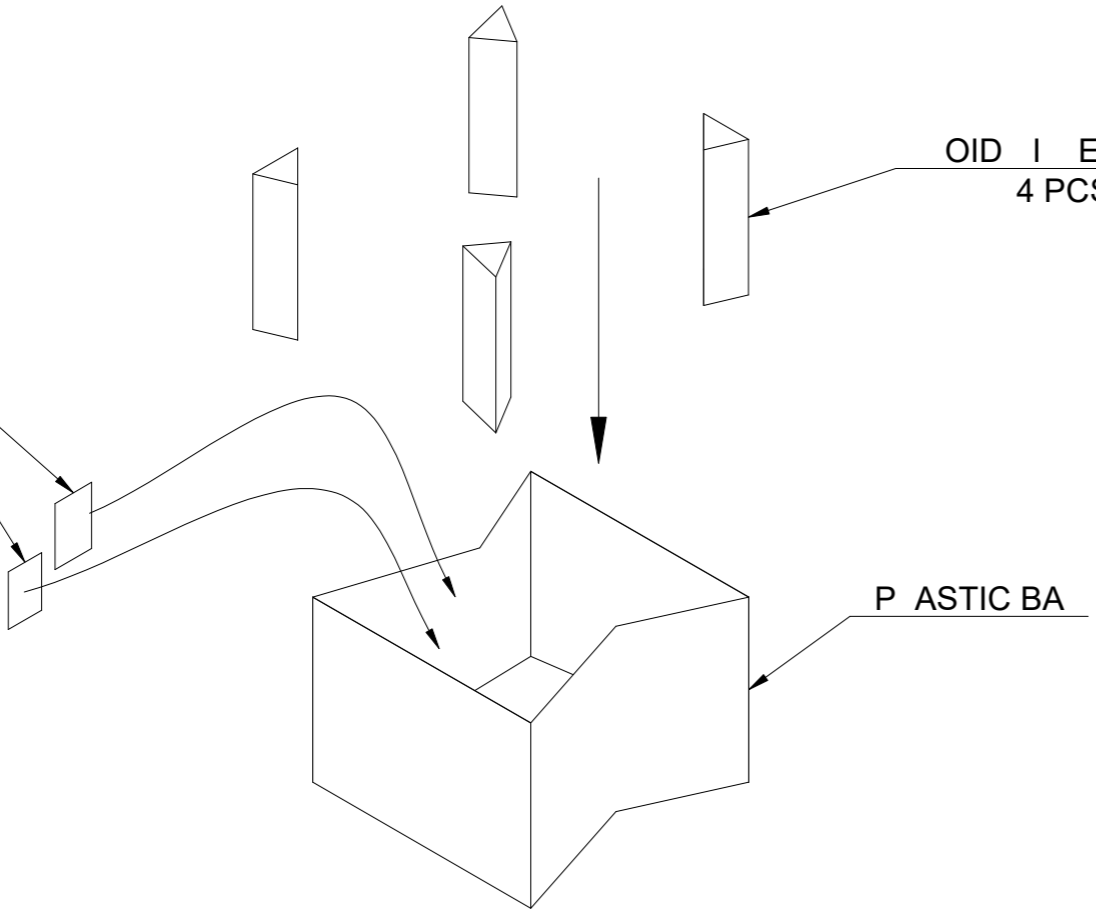
THIS DRAWING IS UNPUBLISHED. RELEASED FOR PUBLICATION AUG ,2006.
 © COPYRIGHT 2009 BY TYCO ELECTRONICS CORPORATION. ALL RIGHTS RESERVED.

LOC	DIST	REVISIONS			
P	LTR	DESCRIPTION	DATE	DWN	APVD
DW	/	SEE SHEET 1.			



OID I ER
4 PCS

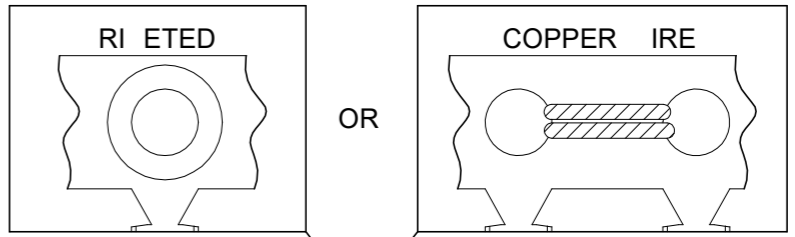
DESICCANT



P ASTIC BA

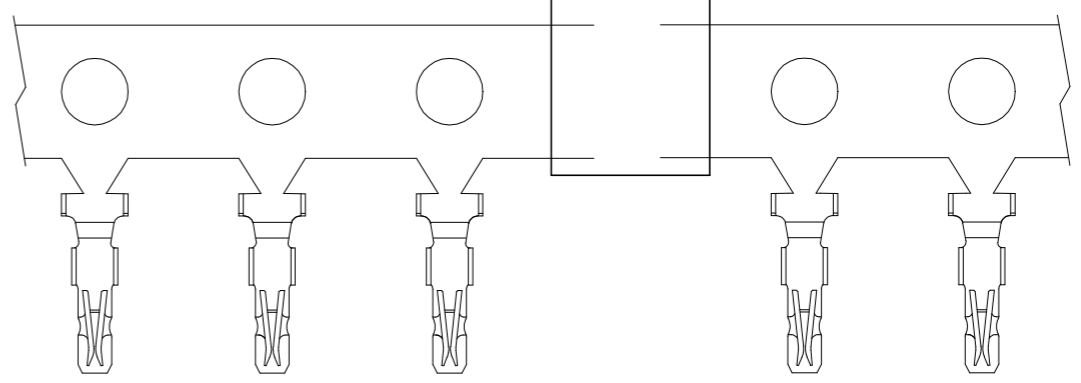
CARTON

CONNECTIN MET OD CON I URATION



OR

2 CONNECT POINTS MA . PER REE



472 472 175	7	15000	105000 PCS
CARTON DIMENSIONS	REE S CARTON	PCS REE	UANTIT

THIS DRAWING IS A CONTROLLED DOCUMENT.		DWN	Tyco Electronics Corporation	
DIMENSIONS: MM		CHK	Tyco Electronics	
TOLERANCES UNLESS OTHERWISE SPECIFIED:		APVD	Taipei, Taiwan	
0 PLC ± -		PRODUCT SPEC	NAME	
1 PLC ± -		APPLICATION SPEC	1.0 MM PITCH WIRE TO BOARD CONNECTOR, RECEPTACLE, SMT, TERMINAL	
2 PLC ± -		WEIGHT	SIZE	RESTRICTED TO
3 PLC ± -		SEE TABLE	A3	
4 PLC ± -		CUSTOMER DRAWING	CAGE CODE	DRAWING NO
ANGLES ± -			00779	C=1734597
MATERIAL	FINISH	SCALE	SHEET	REV
SEE NOTE	SEE NOTE	-	2 OF 2	C1

X-ON Electronics

Largest Supplier of Electrical and Electronic Components

Click to view similar products for [TE Connectivity](#) manufacturer:

Other Similar products are found below :

[D38999/24FJ4AN](#) [570416-000](#) [CLTEQ-M81CE-SSRELAY-4-20V](#) [4-1195131-0](#) [650069-000](#) [SMD100-2](#) [358838-000](#) [CB-1022B-78](#)
[RM707012](#) [RP410012](#) [MMS42](#) [1-640426-8](#) [2EDL4CM](#) [DTS20W19-11PD-3028-LC](#) [RM202615](#) [NC6-P104-06](#) [MSPS103B](#) [DTS26F21-](#)
[41HE-LC](#) [DTS26F21-41AE](#) [DTS26F21-41PE-LC](#) [DTS26F21-11SE-3028-LC](#) [30DCB6](#) [1932144-1](#) [293545-4](#) [LVR125S](#) [MS27466T25F4PB](#)
[CKB-38-78010](#) [TR04AI-TINELLOCKRING](#) [1206SFF150F/63-2](#) [D38999/20JB35HA](#) [TE1500A2R2J](#) [D38999/20WC8BB](#) [DTS24F19-11SC-](#)
[3028-LC](#) [D38999/24WG11HA](#) [D38999/24WG11HN](#) [MS27467T21F11H](#) [DJT16E21-11HA](#) [MS27467T21F35J](#) [MS27467T21F11J](#)
[MS27467T21F16H-LC](#) [MS27467T21F35H](#) [MS27467T21F41H-LC](#) [1206SFH150F/24-2](#) [RP330024](#) [DJT16E21-11PA-LC](#) [DJT16E21-11HA-](#)
[LC](#) [DJT16E21-11AA](#) [MS27467T21B11JA](#) [DJT16E21-11JA](#) [MS27467T21B11JA-LC](#)